

Centris®



Suspended
 Direct/Indirect
 4 T5HO - Perf Housing



Project Name

Spec Type

Notes



Order Guide

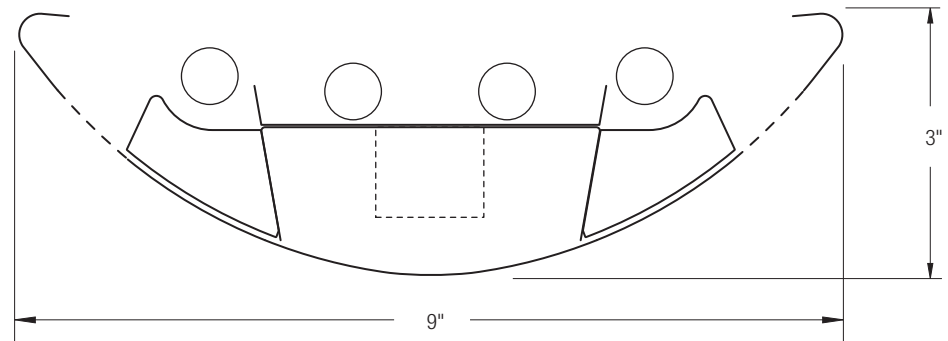
Some combinations of product options may not be available. Consult factory for assistance with your specification.

9506	H04			-		-		-	
Product Series & Type Centris Direct/Indirect	Lamping 4 T5HO	Lower Optics M Round Perf Housing / Solid Baffle T Round Perf Housing / Round Perf Baffle U Slot Perf Housing / Solid Baffle Z Slot Perf Housing / Round Perf Baffle See details on reverse	Upper Optics N None D Down Kit Y Lamp Separator See details on reverse	Run Length Enter the total run length in feet (4ft increments) See details on reverse	Wiring 1 1 cct 2 2 cct 3 1 cct w/ Emergency cct 4 2 cct w/ Emergency cct 5 1 cct w/ Battery Pack 6 2 cct w/ Battery Pack 7 1 cct Dimming Consult website for complete list of standard wiring options	Voltage 1 120V 2 277V 3 347V	Ballast E Standard Ballast Consult website for ballast manufacturer information	Color & Finish W Standard White C Factory Color X Custom Color Consult website for color and finish options	
Mounting Hardware									
Mount Type					Suspension Length				
Consult separate mounting spec sheet for mount type options					Enter distance from ceiling to top of fixture in inches				

Upgrades & Accessories

Please indicate with check mark.

<input type="checkbox"/> Lamps Included	<input checked="" type="checkbox"/> Lamps Included and Installed
<input type="checkbox"/> Sculptured Endcap See details on reverse	
<input type="checkbox"/> Response Daylight (Integrated Controls) For details visit www.ledalite.com/response	



Centris®

Suspended
Direct/Indirect
4 T5HO - Perf Housing



Photometry Optics MY Round Perf Housing / Solid Baffle w/ Lamp Separator

Report Summary

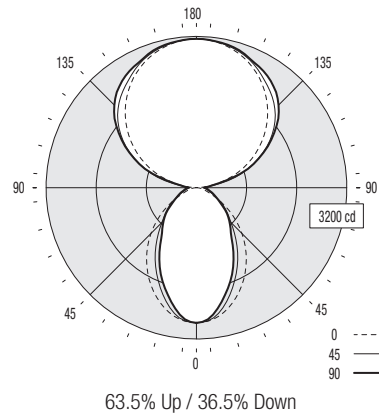
Report # 2101783
Filename 9506H04MY-TY.ies
Efficiency 71%

Peak Candela Value* 3150 @ 180°
Peak to Zenith Ratio* 1 : 1

* Between 90-180° vertical angle

Candela Distribution

Vertical Angle	Horizontal Angle					Zonal Lumens
	0	22.5	45	67.5	90	
0	2859	2859	2859	2859	2859	268
5	2834	2830	2825	2791	2796	696
15	2632	2593	2491	2362	2348	927
25	2283	2157	2005	1860	1848	951
35	1850	1663	1504	1327	1304	846
45	1369	1187	1039	975	988	658
55	858	750	732	687	682	437
65	390	437	447	439	455	275
75	169	206	273	301	312	172
85	50	104	177	210	225	1377
90	5	82	137	164	172	1703
95	140	219	231	227	249	1795
105	654	826	863	734	763	1652
115	1198	1375	1449	1416	1462	1326
125	1696	1810	1967	1995	2020	862
135	2141	2202	2359	2442	2471	304
145	2519	2560	2635	2728	2757	
155	2815	2836	2884	2900	2918	
165	3022	3030	3051	3068	3074	
175	3133	3135	3139	3137	3137	
180	3150	3150	3150	3150	3150	



Coefficients of Utilization (%)

Ceiling: Walk:	80				70				50				0				
	70	50	30	10	70	50	30	10	50	30	10	0	70	50	30	10	0
0 RCR	73	73	73	73	66	66	66	66	52	52	52	24	67	64	61	59	60
1	67	64	61	59	60	57	55	46	44	43	20	61	56	52	48	55	50
2	61	56	52	48	55	50	47	40	38	36	17	56	49	44	40	50	45
3	56	49	44	40	50	45	40	36	33	30	15	51	44	38	34	46	40
4	51	44	38	34	46	40	35	32	29	26	13	47	39	33	29	42	35
5	47	39	33	29	42	35	31	29	25	23	11	43	35	29	25	39	32
6	43	35	29	25	39	32	27	26	22	20	10	40	31	26	22	36	29
7	40	31	26	22	36	29	24	23	20	17	9	37	29	23	20	33	26
8	37	29	23	20	33	26	21	21	18	15	8	34	26	21	18	31	24
9	34	26	21	18	31	24	19	20	16	14	7	32	24	19	16	29	22
10	32	24	19	16	29	22	18	18	15	12	7						

Based on a floor reflectance of 0.2

Avg. Luminance (cd/m²)

Vertical Angle	Horizontal Angle		
	0	45	90
55	6097	3804	3190
65	3761	2779	2465
75	2661	2194	2084
85	2338	2101	2041

IES files for this and other photometric options can be downloaded online at www.ledalite.com

Additional Information

Modules

Module length excludes endcaps.
Nominal mount spacing for individually mounted modules.

Module	Mount Spacing
4ft	4' 0"
8ft	8' 0"
12ft	12' 0"

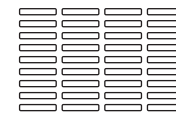
Endcap



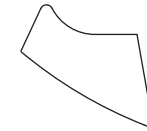
Lower Optics



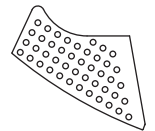
Round Perf Housing



Slot Perf Housing



Solid Baffle

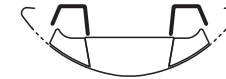


Round Perf Baffle

Upper Optics



D Down Kit



Y Lamp Separator

Specifications

Due to continuing product improvements, Ledalite reserves the right to change specifications without notice.

Housing

Die-formed 20 gauge cold-rolled steel.

Weight

3.0 lb/ft.

Optical System

Direct/Indirect: Constructed of 96% reflective white steel to produce a direct/indirect distribution. Baffles are white blades spaced 2-7/16" apart and are 3/4" deep (18 cells per 4ft section). Perforation of baffles and housing is optional. Perforated housing options include acrylic overlay. Optional field-installable Variable Optics kits provide additional downlight as required.

Semi-Indirect: Constructed of 96% reflective white steel with perforated housing and acrylic overlay to produce a semi-indirect distribution. Perforated housing available in round or slot perforation patterns.

Indirect: Constructed of 96% reflective white steel to produce an indirect distribution.

High performance options use additional highly-specular aluminum reflectors.

Endcaps

Die-cast endcap or optional die-cast sculptured endcap.

Joints

Self-aligning joining system with hands-free pre-joining wire access.

Mounting

Aircraft cable gripper is tamper-resistant and provides infinite vertical adjustment capability. Aircraft cable, crimp and cable gripper independently tested to meet stringent safety requirements.

Electrical

Factory pre-wired to section ends with quick-wire connectors.

Ballast

Electronic.

Approvals

Certified to UL and CSA standards.

Finish

High-quality powder coat. Available in Ledalite Standard White (textured matte finish), and a selection of other factory and customer-specified colors. Consult factory for details.