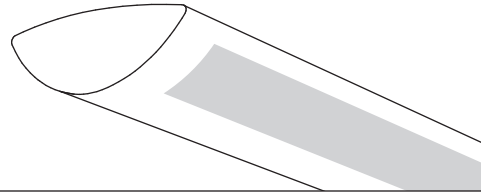


Centris®



Suspended
Semi-Indirect
4 T5HO



Project Name

Spec Type

Notes

Order Guide

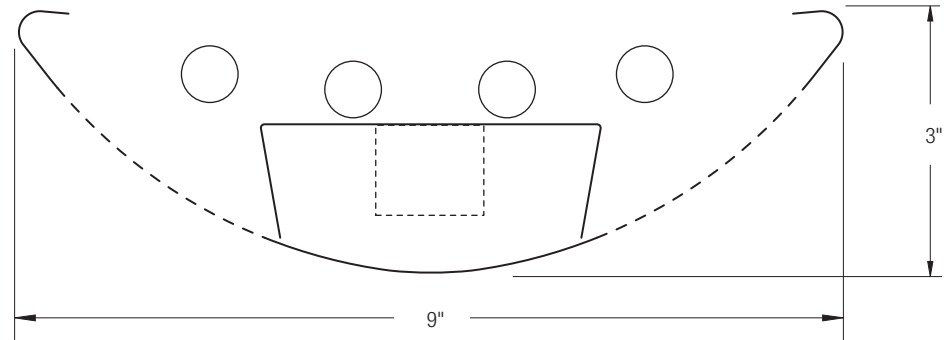
Some combinations of product options may not be available. Consult factory for assistance with your specification.

9505	H04	<input type="text"/>	<input type="text"/>	-	<input type="text"/>	-	<input type="text"/>	-	<input type="text"/>	-	<input type="text"/>
Product Series & Type Centris Semi-Indirect	Lamping 4 T5HO	Lower Optics L Round Perf Housing I Slot Perf Housing	Upper Optics N None	Run Length <i>Enter the total run length in feet (4ft increments)</i>	Wiring 1 1 cct 2 2 cct 3 1 cct w/ Emergency cct 4 2 cct w/ Emergency cct 5 1 cct w/ Battery Pack 6 2 cct w/ Battery Pack 7 1 cct Dimming	Voltage 1 120V 2 277V 3 347V	Ballast E Standard Ballast Consult website for ballast manufacturer information	Color & Finish W Standard White C Factory Color X Custom Color Consult website for color and finish options			
		See details on reverse	See details on reverse	See details on reverse	Consult website for complete list of standard wiring options	Mounting Hardware <input type="text"/> <input type="text"/> Mount Type Suspension Length Consult separate mounting spec sheet for mount type options <i>Enter distance from ceiling to top of fixture in inches</i>					

Upgrades & Accessories

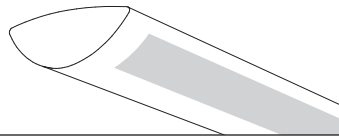
Please indicate with check mark.

<input type="checkbox"/> Lamps Included	<input checked="" type="checkbox"/> Lamps Included and Installed
<input type="checkbox"/> Sculptured Endcap See details on reverse	
<input type="checkbox"/> Response Daylight (Integrated Controls) For details visit www.ledalite.com/response	



Centris®

Suspended
Semi-Indirect
4 T5HO



Photometry Optics LN Round Perf Housing

Report Summary

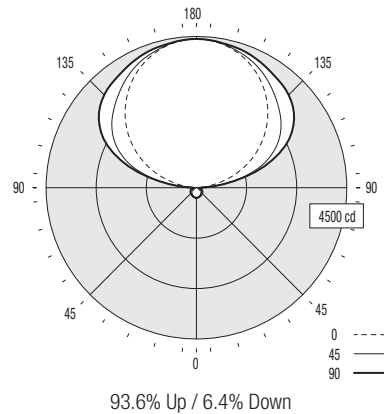
Report # 2101671
Filename 9505H04LN.ies
Efficiency 89.8%

Peak Candela Value* 4427 @ 180°
Peak to Zenith Ratio* 1 : 1

* Between 90-180° vertical angle

Candela Distribution

Vertical Angle	Horizontal Angle					Zonal Lumens
	0	22.5	45	67.5	90	
0	300	300	300	300	300	
5	297	296	298	298	298	29
15	279	278	284	286	289	80
25	246	246	258	265	273	119
35	203	203	224	240	255	140
45	152	156	189	218	236	147
55	98	114	160	197	217	140
65	49	77	130	168	189	122
75	25	44	95	131	152	96
85	9	24	59	90	105	66
90	9	43	54	88	98	
95	191	396	498	469	544	499
105	905	1341	1692	1723	1829	1602
115	1690	2013	2550	2820	2924	2384
125	2395	2571	3088	3443	3568	2698
135	3020	3126	3457	3791	3903	2671
145	3543	3601	3796	3997	4068	2381
155	3961	3983	4088	4196	4231	1888
165	4251	4263	4279	4325	4342	1212
175	4405	4408	4407	4410	4410	426
180	4427	4427	4427	4427	4427	



Coefficients of Utilization (%)

Ceiling:	80				70				50				0
	70	50	30	10	70	50	30	10	50	30	10	0	
0 RCR	86	86	86	86	75	75	75	52	52	52	5		
1	78	75	71	68	67	64	62	45	44	42	3		
2	71	65	60	56	61	56	52	39	37	35	3		
3	65	57	51	46	56	49	44	35	31	29	2		
4	59	50	44	38	51	43	38	31	27	24	2		
5	54	44	38	33	46	38	33	27	23	21	1		
6	49	39	33	28	42	34	28	24	20	18	1		
7	45	35	29	24	39	31	25	22	18	15	1		
8	42	32	25	21	36	27	22	19	16	13	1		
9	39	29	22	18	33	25	20	18	14	12	1		
10	36	26	20	16	31	23	17	16	13	10	1		

Based on a floor reflectance of 0.2

Avg. Luminance (cd/m²)

Vertical Angle	Horizontal Angle		
	0	45	90
55	696	832	1015
65	473	808	1024
75	394	763	1015
85	421	700	952

IES files for this and other photometric options can be downloaded online at www.ledalite.com

Additional Information

Modules

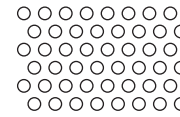
Module length excludes endcaps.
Nominal mount spacing for individually mounted modules.

Module	Mount Spacing
4ft	4' 0"
8ft	8' 0"
12ft	12' 0"

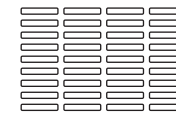
Endcap



Lower Optics



Round Perf Housing



Slot Perf Housing

Specifications

Due to continuing product improvements, Ledalite reserves the right to change specifications without notice.

Housing

Die-formed 20 gauge cold-rolled steel.

Weight

3.0 lb/ft.

Optical System

Direct/Indirect: Constructed of 96% reflective white steel to produce a direct/indirect distribution. Baffles are white blades spaced 2-7/16" apart and are 3/4" deep (18 cells per 4ft section). Perforation of baffles and housing is optional. Perforated housing options include acrylic overlay. Optional field-installable Variable Optics kits provide additional downlight as required.

Semi-Indirect: Constructed of 96% reflective white steel with perforated housing and acrylic overlay to produce a semi-indirect distribution. Perforated housing available in round or slot perforation patterns.

Indirect: Constructed of 96% reflective white steel to produce an indirect distribution.

High performance options use additional highly-specular aluminum reflectors.

Endcaps

Die-cast endcap or optional die-cast sculptured endcap.

Joints

Self-aligning joining system with hands-free pre-joining wire access.

Mounting

Aircraft cable gripper is tamper-resistant and provides infinite vertical adjustment capability. Aircraft cable, crimp and cable gripper independently tested to meet stringent safety requirements.

Electrical

Factory pre-wired to section ends with quick-wire connectors.

Ballast

Electronic.

Approvals

Certified to UL and CSA standards.

Finish

High-quality powder coat. Available in Ledalite Standard White (textured matte finish), and a selection of other factory and customer-specified colors. Consult factory for details.