

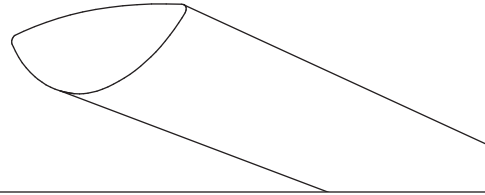
# Centris®



Suspended

Indirect

4 T5HO



Project Name

Spec Type

Notes

## Order Guide

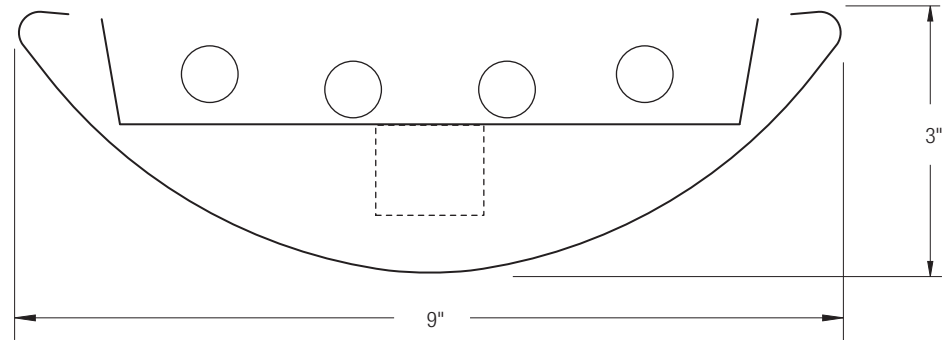
Some combinations of product options may not be available. Consult factory for assistance with your specification.

<b>9503</b>	<b>H04</b>			-		-		-		
Product Series & Type Centris Indirect	Lamping 4 T5HO	Lower Optics <b>E</b> Solid Housing	Upper Optics <b>N</b> None	Run Length <i>Enter the total run length in feet (4ft increments)</i>	Wiring <b>1</b> 1 cct <b>2</b> 2 cct <b>3</b> 1 cct w/ Emergency cct <b>4</b> 2 cct w/ Emergency cct <b>5</b> 1 cct w/ Battery Pack <b>6</b> 2 cct w/ Battery Pack <b>7</b> 1 cct Dimming	Voltage <b>1</b> 120V <b>2</b> 277V <b>3</b> 347V	Ballast <b>E</b> Standard Ballast  Consult website for ballast manufacturer information	Color & Finish <b>W</b> Standard White <b>C</b> Factory Color <b>X</b> Custom Color  Consult website for color and finish options		
		See details on reverse	See details on reverse	See details on reverse	Consult website for complete list of standard wiring options					
									<b>Mounting Hardware</b>	
									<input type="text"/>	<input type="text"/>
									Mount Type	Suspension Length <i>Enter distance from ceiling to top of fixture in inches</i>
									Consult separate mounting spec sheet for mount type options	

## Upgrades & Accessories

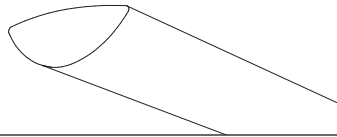
Please indicate with check mark.

<input type="checkbox"/> Lamps Included	<input checked="" type="checkbox"/> Lamps Included and Installed
<input type="checkbox"/> Sculptured Endcap See details on reverse	
<input type="checkbox"/> Response Daylight (Integrated Controls) For details visit <a href="http://www.ledalite.com/response">www.ledalite.com/response</a>	



# Centris®

Suspended  
Indirect  
4 T5HO



## Photometry Optics EN

### Report Summary

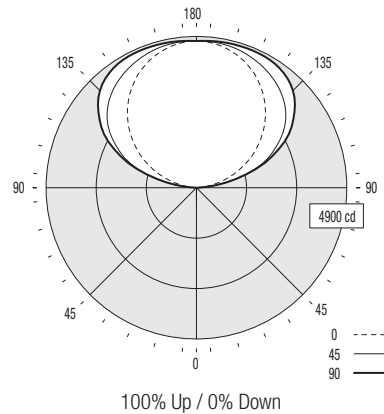
**Report #** 2101635  
**Filename** 9503H04EN.ies  
**Efficiency** 91.9%

**Peak Candela Value\*** 4807 @ 158°  
**Peak to Zenith Ratio\*** 1 : 1  
\* Between 90-180° vertical angle

Meets RP-1-04 recommendations for VDT-Intensive spaces

### Candela Distribution

Vertical Angle	Horizontal Angle					Zonal Lumens
	0	22.5	45	67.5	90	
0	0	0	0	0	0	
5	0	0	0	0	0	0
15	0	0	0	0	0	0
25	0	0	0	0	0	0
35	0	0	0	0	0	0
45	0	0	0	0	0	0
55	0	0	0	0	0	0
65	0	0	0	0	0	0
75	0	0	0	0	0	0
85	0	0	0	0	0	0
90	3	5	10	7	12	
95	181	305	410	312	352	403
105	903	1417	1703	1648	1684	1591
115	1707	2311	2750	2903	2961	2538
125	2475	2936	3521	3757	3854	2987
135	3171	3471	4019	4344	4447	3016
145	3764	3947	4334	4628	4725	2685
155	4226	4332	4551	4736	4804	2093
165	4551	4597	4697	4773	4801	1325
175	4727	4734	4754	4768	4772	461
180	4753	4753	4753	4753	4753	



### Coefficients of Utilization (%)

Ceiling:	80				70				50				0
	70	50	30	10	70	50	30	10	50	30	10	0	
0 RCR	87	87	87	87	74	74	74	51	51	51	0		
1	79	76	72	69	67	65	62	44	42	41	0		
2	72	66	61	56	61	56	52	38	36	34	0		
3	66	58	51	47	56	49	44	34	31	28	0		
4	60	51	44	39	51	43	38	30	26	24	0		
5	55	45	38	33	46	38	33	26	23	20	0		
6	50	40	33	28	42	34	29	23	20	17	0		
7	46	36	29	24	39	31	25	21	17	15	0		
8	42	32	25	21	36	27	22	19	15	13	0		
9	39	29	23	18	33	25	20	17	14	11	0		
10	36	26	20	16	31	22	17	15	12	10	0		

Based on a floor reflectance of 0.2

### Avg. Luminance (cd/m²)

Vertical Angle	Horizontal Angle		
	0	45	90
55	0	0	0
65	0	0	0
75	0	0	0
85	0	0	0

IES files for this and other photometric options can be downloaded online at [www.ledalite.com](http://www.ledalite.com)

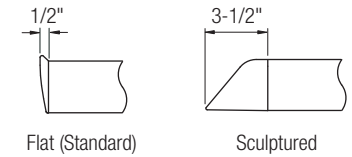
## Additional Information

### Modules

Module length excludes endcaps.  
Nominal mount spacing for individually mounted modules.

Module	Mount Spacing
4ft	4' 0"
8ft	8' 0"
12ft	12' 0"

### Endcap



## Specifications

Due to continuing product improvements, Ledalite reserves the right to change specifications without notice.

### Housing

Die-formed 20 gauge cold-rolled steel.

### Weight

3.0 lb/ft.

### Optical System

Direct/Indirect: Constructed of 96% reflective white steel to produce a direct/indirect distribution. Baffles are white blades spaced 2-7/16" apart and are 3/4" deep (18 cells per 4ft section). Perforation of baffles and housing is optional. Perforated housing options include acrylic overlay. Optional field-installable Variable Optics kits provide additional downlight as required.

Semi-Indirect: Constructed of 96% reflective white steel with perforated housing and acrylic overlay to produce a semi-indirect distribution. Perforated housing available in round or slot perforation patterns.

Indirect: Constructed of 96% reflective white steel to produce an indirect distribution.

High performance options use additional highly-specular aluminum reflectors.

### Endcaps

Die-cast endcap or optional die-cast sculptured endcap.

### Joints

Self-aligning joining system with hands-free pre-joining wire access.

### Mounting

Aircraft cable gripper is tamper-resistant and provides infinite vertical adjustment capability. Aircraft cable, crimp and cable gripper independently tested to meet stringent safety requirements.

### Electrical

Factory pre-wired to section ends with quick-wire connectors.

### Ballast

Electronic.

### Approvals

Certified to UL and CSA standards.

### Finish

High-quality powder coat. Available in Ledalite Standard White (textured matte finish), and a selection of other factory and customer-specified colors. Consult factory for details.