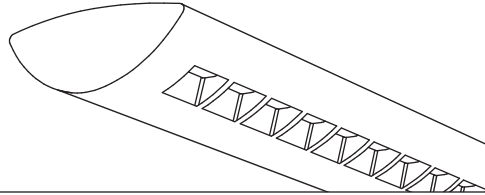


Suspended
 Direct/Indirect
 4 T5HO - Solid Housing



Project Name

Spec Type

Notes



Order Guide

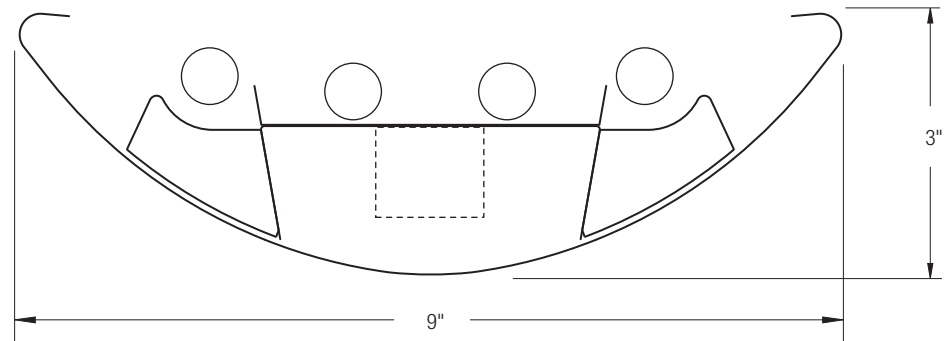
Some combinations of product options may not be available. Consult factory for assistance with your specification.

9506	H04	<input type="text"/>	<input type="text"/>	-	<input type="text"/>	-	<input type="text"/>	-	<input type="text"/>	-	<input type="text"/>
Product Series & Type Centris Direct/Indirect	Lamping 4 T5HO	Lower Optics C Solid Baffle R Round Perf Baffle	Upper Optics N None D Down Kit Y Lamp Separator	Run Length <i>Enter the total run length in feet (4ft increments)</i>	Wiring 1 1 cct 2 2 cct 3 1 cct w/ Emergency cct 4 2 cct w/ Emergency cct 5 1 cct w/ Battery Pack 6 2 cct w/ Battery Pack 7 1 cct Dimming	Voltage 1 120V 2 277V 3 347V	Ballast E Standard Ballast Consult website for ballast manufacturer information	Color & Finish W Standard White C Factory Color X Custom Color Consult website for color and finish options			
Mounting Hardware											
						<input type="text"/>		<input type="text"/>			
						Mount Type Consult separate mounting spec sheet for mount type options			Suspension Length <i>Enter distance from ceiling to top of fixture in inches</i>		
		See details on reverse		See details on reverse		See details on reverse		Consult website for complete list of standard wiring options		Consult separate mounting spec sheet for mount type options	

Upgrades & Accessories

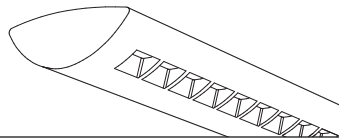
Please indicate with check mark.

<input type="checkbox"/> Lamps Included	<input checked="" type="checkbox"/> Lamps Included and Installed
<input type="checkbox"/> Sculptured Endcap See details on reverse	
<input type="checkbox"/> Response Daylight (Integrated Controls) For details visit www.ledalite.com/response	



Centris®

Suspended
Direct/Indirect
4 T5HO - Solid Housing



Photometry Optics CN Solid Baffle

Report Summary

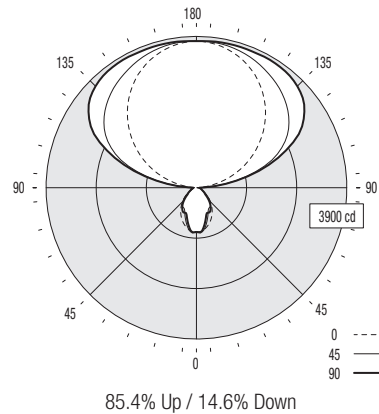
Report # 2101637
Filename 9506H04CN-RN.ies
Efficiency 88.5%

Peak Candela Value* 3809 @ 150°
Peak to Zenith Ratio* 1 : 1

* Between 90-180° vertical angle

Candela Distribution

Vertical Angle	Horizontal Angle					Zonal Lumens
	0	22.5	45	67.5	90	
0	1144	1144	1144	1144	1144	
5	1135	1136	1152	1160	1162	109
15	1044	1064	978	895	891	271
25	896	849	715	689	710	354
35	712	621	610	638	643	396
45	513	446	495	456	453	362
55	313	347	319	261	265	274
65	151	207	181	172	177	181
75	84	94	110	120	125	114
85	34	51	74	82	86	74
90	11	47	67	76	77	
95	166	337	474	409	489	451
105	742	1261	1585	1586	1679	1476
115	1384	1867	2442	2658	2768	2224
125	1981	2325	2930	3286	3418	2509
135	2527	2752	3231	3577	3701	2446
145	2994	3135	3442	3704	3795	2142
155	3361	3443	3610	3745	3800	1660
165	3617	3654	3726	3782	3804	1052
175	3757	3762	3776	3787	3790	366
180	3780	3780	3780	3780	3780	



Coefficients of Utilization (%)

Ceiling:	80				70				50				0
	70	50	30	10	70	50	30	10	50	30	10	0	
0 RCR	87	87	87	87	76	76	76	55	55	55	11		
1	79	75	72	69	69	66	63	48	46	45	9		
2	72	66	61	56	62	58	53	42	39	37	8		
3	65	58	52	47	57	51	46	37	34	31	7		
4	60	51	44	39	52	45	39	33	29	26	6		
5	55	45	38	34	48	40	34	29	26	23	5		
6	50	40	34	29	44	35	30	26	22	20	4		
7	46	36	30	25	40	32	26	24	20	17	4		
8	43	33	26	22	37	29	23	21	18	15	4		
9	40	30	23	19	35	26	21	19	16	13	3		
10	37	27	21	17	32	24	19	18	14	12	3		

Based on a floor reflectance of 0.2

Avg. Luminance (cd/m²)

Vertical Angle	Horizontal Angle		
	0	45	90
55	2224	1658	1239
65	1456	1125	959
75	1323	884	835
85	1590	879	780

IES files for this and other photometric options can be downloaded online at www.ledalite.com

Additional Information

Modules

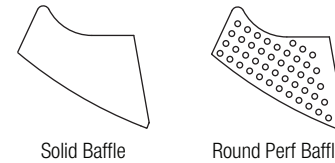
Module length excludes endcaps.
Nominal mount spacing for individually mounted modules.

Module	Mount Spacing
4ft	4' 0"
8ft	8' 0"
12ft	12' 0"

Endcap



Lower Optics



Upper Optics



Specifications

Due to continuing product improvements, Ledalite reserves the right to change specifications without notice.

Housing

Die-formed 20 gauge cold-rolled steel.

Weight

3.0 lb/ft.

Optical System

Direct/Indirect: Constructed of 96% reflective white steel to produce a direct/indirect distribution. Baffles are white blades spaced 2-7/16" apart and are 3/4" deep (18 cells per 4ft section). Perforation of baffles and housing is optional. Perforated housing options include acrylic overlay. Optional field-installable Variable Optics kits provide additional downlight as required.

Semi-Indirect: Constructed of 96% reflective white steel with perforated housing and acrylic overlay to produce a semi-indirect distribution. Perforated housing available in round or slot perforation patterns.

Indirect: Constructed of 96% reflective white steel to produce an indirect distribution.

High performance options use additional highly-specular aluminum reflectors.

Endcaps

Die-cast endcap or optional die-cast sculptured endcap.

Joints

Self-aligning joining system with hands-free pre-joining wire access.

Mounting

Aircraft cable gripper is tamper-resistant and provides infinite vertical adjustment capability. Aircraft cable, crimp and cable gripper independently tested to meet stringent safety requirements.

Electrical

Factory pre-wired to section ends with quick-wire connectors.

Ballast

Electronic.

Approvals

Certified to UL and CSA standards.

Finish

High-quality powder coat. Available in Ledalite Standard White (textured matte finish), and a selection of other factory and customer-specified colors. Consult factory for details.