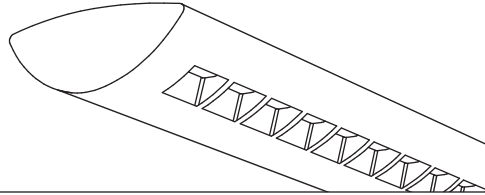


Suspended
 Direct/Indirect
 4 T5HO - Solid Housing



Project Name

Spec Type

Notes



Order Guide

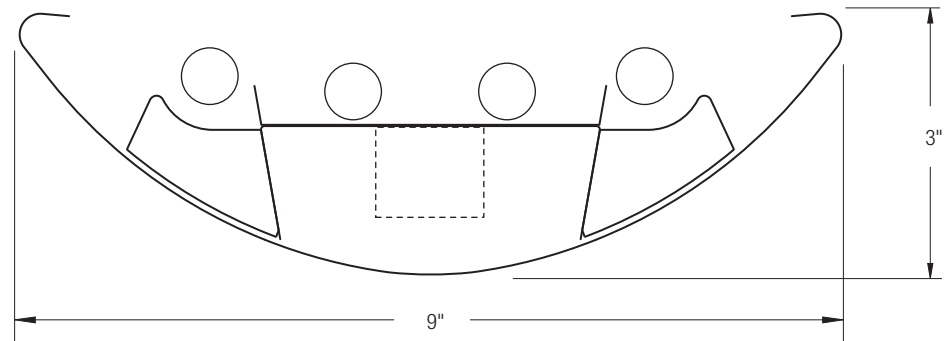
Some combinations of product options may not be available. Consult factory for assistance with your specification.

9506	H04	<input type="text"/>	<input type="text"/>	-	<input type="text"/>	-	<input type="text"/>	-	<input type="text"/>	-	<input type="text"/>
Product Series & Type Centris Direct/Indirect	Lamping 4 T5HO	Lower Optics C Solid Baffle R Round Perf Baffle	Upper Optics N None D Down Kit Y Lamp Separator	Run Length <i>Enter the total run length in feet (4ft increments)</i>	Wiring 1 1 cct 2 2 cct 3 1 cct w/ Emergency cct 4 2 cct w/ Emergency cct 5 1 cct w/ Battery Pack 6 2 cct w/ Battery Pack 7 1 cct Dimming	Voltage 1 120V 2 277V 3 347V	Ballast E Standard Ballast Consult website for ballast manufacturer information	Color & Finish W Standard White C Factory Color X Custom Color Consult website for color and finish options			
Mounting Hardware											
<input type="text"/>											
Mount Type Consult separate mounting spec sheet for mount type options						Suspension Length <i>Enter distance from ceiling to top of fixture in inches</i>					

Upgrades & Accessories

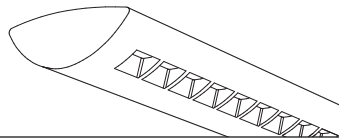
Please indicate with check mark.

<input type="checkbox"/> Lamps Included	<input checked="" type="checkbox"/> Lamps Included and Installed
<input type="checkbox"/> Sculptured Endcap See details on reverse	
<input type="checkbox"/> Response Daylight (Integrated Controls) For details visit www.ledalite.com/response	



Centris®

Suspended
Direct/Indirect
4 T5HO - Solid Housing



Photometry Optics CD Solid Baffle w/ Down Kit

Report Summary

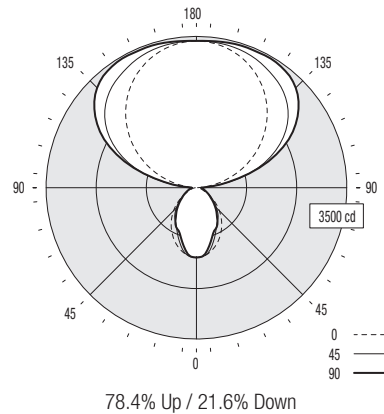
Report # 9900049
Filename 9506H04CD-RD.ies
Efficiency 84.2%

Peak Candela Value* 3453 @ 150°
Peak to Zenith Ratio* 1 : 1

* Between 90-180° vertical angle

Candela Distribution

Vertical Angle	Horizontal Angle					Zonal Lumens
	0	22.5	45	67.5	90	
0	1615	1615	1615	1615	1615	
5	1599	1596	1600	1593	1597	151
15	1475	1464	1393	1306	1290	387
25	1275	1202	1077	1038	1054	517
35	1027	907	875	855	836	557
45	754	652	658	620	610	506
55	473	469	449	412	407	397
65	225	281	275	275	280	270
75	113	137	171	178	185	170
85	45	79	115	127	132	112
90	13	60	91	109	110	
95	165	279	358	349	346	368
105	709	1057	1274	1250	1272	1199
115	1301	1668	2034	2163	2225	1879
125	1844	2142	2585	2796	2876	2205
135	2329	2535	2938	3189	3269	2209
145	2736	2868	3139	3362	3426	1949
155	3047	3123	3283	3403	3446	1508
165	3267	3296	3365	3424	3444	950
175	3379	3384	3396	3405	3407	329
180	3398	3398	3398	3398	3398	



Coefficients of Utilization (%)

Ceiling:	80				70				50				0
	70	50	30	10	70	50	30	50	30	10	0		
0 RCR	84	84	84	84	74	74	74	56	56	56	16		
1	76	73	70	67	67	64	62	48	47	45	13		
2	69	64	59	55	61	56	52	43	40	38	11		
3	63	56	50	45	56	50	45	38	34	32	10		
4	58	49	43	38	51	44	39	33	30	27	8		
5	53	44	37	33	47	39	34	30	26	23	7		
6	49	39	33	28	43	35	29	27	23	20	7		
7	45	35	29	25	40	31	26	24	20	17	6		
8	42	32	26	21	37	28	23	22	18	15	5		
9	39	29	23	19	34	26	21	20	16	14	5		
10	36	26	21	17	32	24	19	18	15	12	4		

Based on a floor reflectance of 0.2

Avg. Luminance (cd/m²)

Vertical Angle	Horizontal Angle		
	0	45	90
55	3361	2334	1904
65	2170	1709	1517
75	1779	1374	1236
85	2104	1365	1197

IES files for this and other photometric options can be downloaded online at www.ledalite.com

Additional Information

Modules

Module length excludes endcaps.
Nominal mount spacing for individually mounted modules.

Module	Mount Spacing
4ft	4' 0"
8ft	8' 0"
12ft	12' 0"

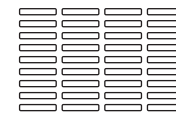
Endcap



Lower Optics



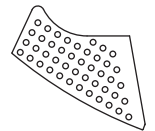
Round Perf Housing



Slot Perf Housing

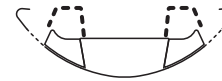


Solid Baffle



Round Perf Baffle

Upper Optics



D Down Kit



Y Lamp Separator

Specifications

Due to continuing product improvements, Ledalite reserves the right to change specifications without notice.

Housing

Die-formed 20 gauge cold-rolled steel.

Weight

3.0 lb/ft.

Optical System

Direct/Indirect: Constructed of 96% reflective white steel to produce a direct/indirect distribution. Baffles are white blades spaced 2-7/16" apart and are 3/4" deep (18 cells per 4ft section). Perforation of baffles and housing is optional. Perforated housing options include acrylic overlay. Optional field-installable Variable Optics kits provide additional downlight as required.

Semi-Indirect: Constructed of 96% reflective white steel with perforated housing and acrylic overlay to produce a semi-indirect distribution. Perforated housing available in round or slot perforation patterns.

Indirect: Constructed of 96% reflective white steel to produce an indirect distribution.

High performance options use additional highly-specular aluminum reflectors.

Endcaps

Die-cast endcap or optional die-cast sculptured endcap.

Joints

Self-aligning joining system with hands-free pre-joining wire access.

Mounting

Aircraft cable gripper is tamper-resistant and provides infinite vertical adjustment capability. Aircraft cable, crimp and cable gripper independently tested to meet stringent safety requirements.

Electrical

Factory pre-wired to section ends with quick-wire connectors.

Ballast

Electronic.

Approvals

Certified to UL and CSA standards.

Finish

High-quality powder coat. Available in Ledalite Standard White (textured matte finish), and a selection of other factory and customer-specified colors. Consult factory for details.