

Centris®



Suspended
Direct/Indirect
3 T8 - Perf Housing



Project Name

Spec Type

Notes




Order Guide

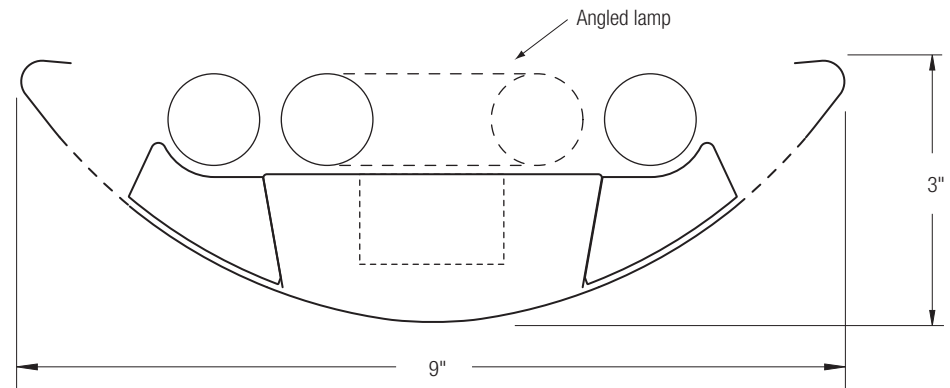
Some combinations of product options may not be available. Consult factory for assistance with your specification.

9506	T03			-		-		-			
Product Series & Type Centris Direct/Indirect	Lamping 3 T8	Lower Optics M Round Perf Housing / Solid Baffle T Round Perf Housing / Round Perf Baffle U Slot Perf Housing / Solid Baffle Z Slot Perf Housing / Round Perf Baffle	Upper Optics N None D Down Kit Y Lamp Separator	Run Length <i>Enter the total run length in feet (4ft increments)</i>	Wiring 1 1 cct 2 2 cct 3 1 cct w/ Emergency cct 4 2 cct w/ Emergency cct 5 1 cct w/ Battery Pack 6 2 cct w/ Battery Pack 7 1 cct Dimming	Voltage 1 120V 2 277V 3 347V	Ballast E Standard Ballast Consult website for ballast manufacturer information	Color & Finish W Standard White C Factory Color X Custom Color Consult website for color and finish options	Mounting Hardware <input type="text"/> <input type="text"/> Mount Type <input type="text"/> Suspension Length <input type="text"/> Consult separate mounting spec sheet for mount type options <i>Enter distance from ceiling to top of fixture in inches</i>		
		See details on reverse	See details on reverse	See details on reverse	Consult website for complete list of standard wiring options						

Upgrades & Accessories

Please indicate with check mark.

<input type="checkbox"/> Lamps Included	<input type="checkbox"/> Lamps Included and Installed
<input type="checkbox"/> Sculptured Endcap See details on reverse	<input type="checkbox"/> Dust Cover 
<input type="checkbox"/> Response Daylight (Integrated Controls) For details visit www.ledalite.com/response	



Centris®

Suspended
Direct/Indirect
3 T8 - Perf Housing



Photometry Optics ZY Slot Perf Housing / Round Perf Baffle w/ Lamp Separator

Report Summary

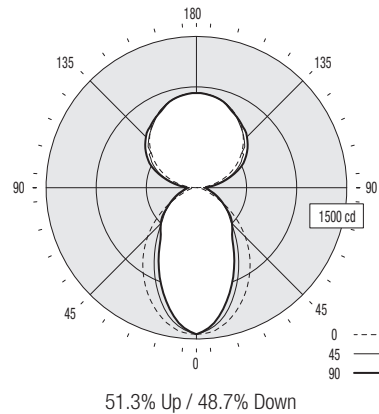
Report # 2101724
Filename 9506T03UY-ZY.ies
Efficiency 64.1%

Peak Candela Value* 939 @ 178°
Peak to Zenith Ratio* 1 : 1

* Between 90-180° vertical angle

Candela Distribution

Vertical Angle	Horizontal Angle					Zonal Lumens
	0	22.5	45	67.5	90	
0	1454	1454	1454	1454	1454	
5	1442	1427	1412	1399	1396	134
15	1335	1292	1240	1182	1165	347
25	1153	1080	979	907	886	456
35	933	829	716	642	625	465
45	690	578	491	491	503	417
55	432	363	360	362	366	332
65	196	210	231	240	250	226
75	85	98	141	152	158	138
85	23	49	85	103	109	84
90	3	40	70	89	95	
95	70	80	126	121	144	125
105	230	247	289	286	310	287
115	389	391	451	467	490	430
125	534	522	575	597	616	505
135	662	644	674	703	713	522
145	767	759	758	770	777	479
155	848	844	848	835	836	388
165	908	904	906	904	906	255
175	935	935	937	934	935	89
180	939	939	939	939	939	



Coefficients of Utilization (%)

Ceiling: Walk:	80				70				50				0				
	70	50	30	10	70	50	30	10	50	30	10	0	70	50	30	10	0
0 RCR	68	68	68	68	62	62	62	52	52	52	29						
1	62	59	57	54	57	54	52	45	44	42	24						
2	57	52	48	45	52	48	44	40	38	35	21						
3	52	46	41	38	47	42	38	35	33	30	18						
4	47	41	36	32	43	38	33	32	28	26	16						
5	44	36	31	28	40	34	29	29	25	23	14						
6	40	33	28	24	37	30	26	26	22	20	12						
7	37	30	25	21	34	28	23	23	20	18	11						
8	35	27	22	19	32	25	21	21	18	16	10						
9	32	25	20	17	30	23	19	20	16	14	9						
10	30	23	18	15	28	21	17	18	15	13	8						

Based on a floor reflectance of 0.2

Avg. Luminance (cd/m²)

Vertical Angle	Horizontal Angle		
	0	45	90
55	3070	1871	1712
65	1890	1436	1355
75	1339	1133	1056
85	1076	1009	989

IES files for this and other photometric options can be downloaded online at www.ledalite.com

Additional Information

Modules

Module length excludes endcaps.
Nominal mount spacing for individually mounted modules.

Module	Mount Spacing
4ft	4' 0"
8ft	8' 0"
12ft	12' 0"

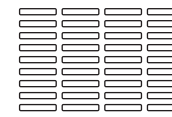
Endcap



Lower Optics



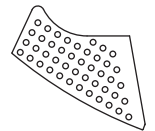
Round Perf Housing



Slot Perf Housing

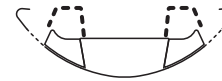


Solid Baffle



Round Perf Baffle

Upper Optics



D Down Kit



Y Lamp Separator

Specifications

Due to continuing product improvements, Ledalite reserves the right to change specifications without notice.

Housing

Die-formed 20 gauge cold-rolled steel.

Weight

3.0 lb/ft.

Optical System

Direct/Indirect: Constructed of 96% reflective white steel to produce a direct/indirect distribution. Baffles are white blades spaced 2-7/16" apart and are 3/4" deep (18 cells per 4ft section). Perforation of baffles and housing is optional. Perforated housing options include acrylic overlay. Optional field-installable Variable Optics kits provide additional downlight as required.

Semi-Indirect: Constructed of 96% reflective white steel with perforated housing and acrylic overlay to produce a semi-indirect distribution. Perforated housing available in round or slot perforation patterns.

Indirect: Constructed of 96% reflective white steel to produce an indirect distribution.

High performance options use additional highly-specular aluminum reflectors.

Endcaps

Die-cast endcap or optional die-cast sculptured endcap.

Joints

Self-aligning joining system with hands-free pre-joining wire access.

Mounting

Aircraft cable gripper is tamper-resistant and provides infinite vertical adjustment capability. Aircraft cable, crimp and cable gripper independently tested to meet stringent safety requirements.

Electrical

Factory pre-wired to section ends with quick-wire connectors.

Ballast

Electronic.

Approvals

Certified to UL and CSA standards.

Finish

High-quality powder coat. Available in Ledalite Standard White (textured matte finish), and a selection of other factory and customer-specified colors. Consult factory for details.