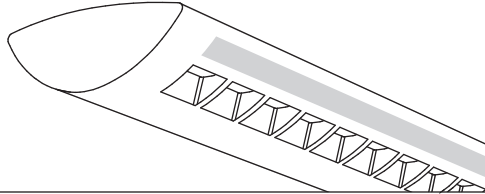


Centris®



Suspended
 Direct/Indirect
 3 T8 - Perf Housing



Project Name

Spec Type

Notes




Order Guide

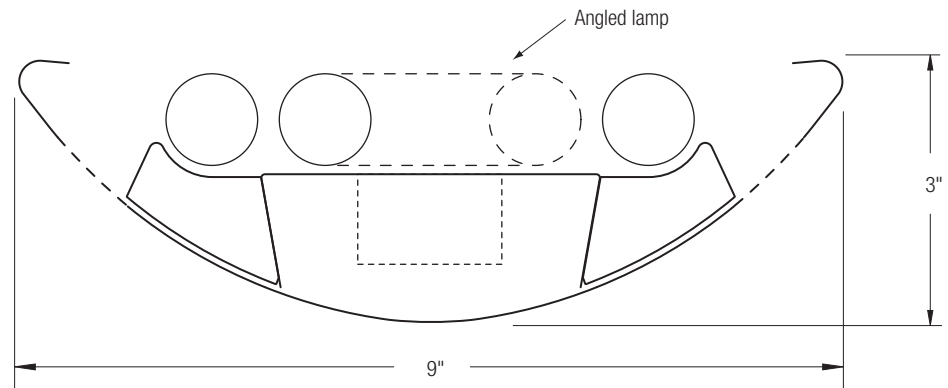
Some combinations of product options may not be available. Consult factory for assistance with your specification.

9506	T03			-		-		-			
Product Series & Type Centris Direct/Indirect	Lamping 3 T8	Lower Optics M Round Perf Housing / Solid Baffle T Round Perf Housing / Round Perf Baffle U Slot Perf Housing / Solid Baffle Z Slot Perf Housing / Round Perf Baffle	Upper Optics N None D Down Kit Y Lamp Separator	Run Length <i>Enter the total run length in feet (4ft increments)</i>	Wiring 1 1 cct 2 2 cct 3 1 cct w/ Emergency cct 4 2 cct w/ Emergency cct 5 1 cct w/ Battery Pack 6 2 cct w/ Battery Pack 7 1 cct Dimming	Voltage 1 120V 2 277V 3 347V	Ballast E Standard Ballast Consult website for ballast manufacturer information	Color & Finish W Standard White C Factory Color X Custom Color Consult website for color and finish options	Mounting Hardware <input type="text"/> <input type="text"/> Mount Type <input type="text"/> Suspension Length <input type="text"/> Consult separate mounting spec sheet for mount type options <i>Enter distance from ceiling to top of fixture in inches</i>		
		See details on reverse	See details on reverse	See details on reverse	Consult website for complete list of standard wiring options						

Upgrades & Accessories

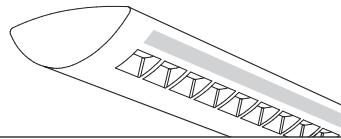
Please indicate with check mark.

<input type="checkbox"/> Lamps Included	<input type="checkbox"/> Lamps Included and Installed
<input type="checkbox"/> Sculptured Endcap See details on reverse	<input type="checkbox"/> Dust Cover 
<input type="checkbox"/> Response Daylight (Integrated Controls) For details visit www.ledalite.com/response	



Centris®

Suspended
Direct/Indirect
3 T8 - Perf Housing



Photometry Optics ZN Slot Perf Housing / Round Perf Baffle

Report Summary

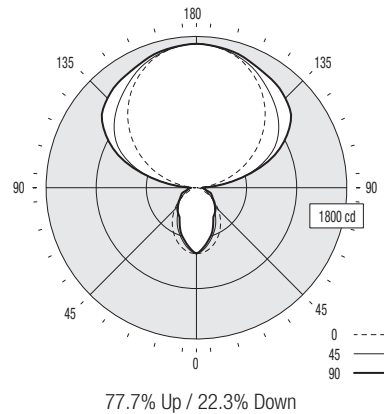
Report # 2101591
Filename 9506T03UN-ZN.ies
Efficiency 86%

Peak Candela Value* 1713 @ 180°
Peak to Zenith Ratio* 1 : 1

* Between 90-180° vertical angle

Candela Distribution

Vertical Angle	Horizontal Angle					Zonal Lumens
	0	22.5	45	67.5	90	
0	785	785	785	785	785	
5	778	767	756	740	737	71
15	723	679	648	622	617	183
25	625	559	529	485	474	243
35	504	436	395	372	378	258
45	370	317	303	312	320	246
55	234	213	232	235	248	206
65	109	137	156	182	200	157
75	59	74	111	118	127	106
85	23	38	66	78	87	65
90	7	32	52	68	72	
95	79	145	212	193	223	206
105	344	515	659	646	679	611
115	637	768	996	1057	1100	909
125	913	995	1203	1333	1379	1042
135	1162	1205	1345	1461	1505	1031
145	1371	1388	1463	1538	1572	918
155	1532	1535	1580	1603	1619	726
165	1649	1639	1657	1668	1677	468
175	1705	1702	1704	1702	1704	165
180	1713	1713	1713	1713	1713	



Coefficients of Utilization (%)

Ceiling: Wall:	80				70				50				0			
	70	50	30	10	70	50	30	10	50	30	10	0	70	50	30	10
0 RCR	86	86	86	86	76	76	76	57	57	57	17					
1	78	74	71	68	69	66	63	50	48	46	14					
2	71	65	60	56	62	57	53	43	41	38	12					
3	65	57	51	46	57	50	45	38	35	32	10					
4	59	50	44	39	52	45	39	34	30	27	9					
5	54	45	38	33	48	40	34	30	26	23	7					
6	50	40	33	29	44	35	30	27	23	20	7					
7	46	36	29	25	40	32	26	24	21	18	6					
8	42	32	26	22	37	29	23	22	18	16	5					
9	39	29	23	19	35	26	21	20	16	14	5					
10	37	27	21	17	32	24	19	19	15	12	4					

Based on a floor reflectance of 0.2

Avg. Luminance (cd/m²)

Vertical Angle	Horizontal Angle		
	0	45	90
55	1663	1206	1160
65	1051	970	1084
75	929	892	848
85	1076	784	789

IES files for this and other photometric options can be downloaded online at www.ledalite.com

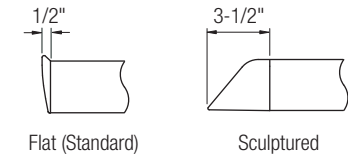
Additional Information

Modules

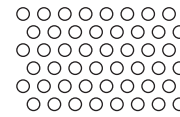
Module length excludes endcaps.
Nominal mount spacing for individually mounted modules.

Module	Mount Spacing
4ft	4' 0"
8ft	8' 0"
12ft	12' 0"

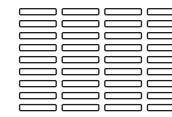
Endcap



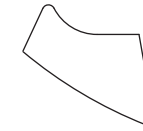
Lower Optics



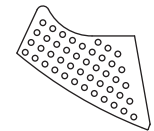
Round Perf Housing



Slot Perf Housing

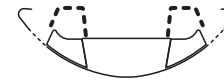


Solid Baffle



Round Perf Baffle

Upper Optics



D Down Kit



Y Lamp Separator

Specifications

Due to continuing product improvements, Ledalite reserves the right to change specifications without notice.

Housing

Die-formed 20 gauge cold-rolled steel.

Weight

3.0 lb/ft.

Optical System

Direct/Indirect: Constructed of 96% reflective white steel to produce a direct/indirect distribution. Baffles are white blades spaced 2-7/16" apart and are 3/4" deep (18 cells per 4ft section). Perforation of baffles and housing is optional. Perforated housing options include acrylic overlay. Optional field-installable Variable Optics kits provide additional downlight as required.

Semi-Indirect: Constructed of 96% reflective white steel with perforated housing and acrylic overlay to produce a semi-indirect distribution. Perforated housing available in round or slot perforation patterns.

Indirect: Constructed of 96% reflective white steel to produce an indirect distribution.

High performance options use additional highly-specular aluminum reflectors.

Endcaps

Die-cast endcap or optional die-cast sculptured endcap.

Joints

Self-aligning joining system with hands-free pre-joining wire access.

Mounting

Aircraft cable gripper is tamper-resistant and provides infinite vertical adjustment capability. Aircraft cable, crimp and cable gripper independently tested to meet stringent safety requirements.

Electrical

Factory pre-wired to section ends with quick-wire connectors.

Ballast

Electronic.

Approvals

Certified to UL and CSA standards.

Finish

High-quality powder coat. Available in Ledalite Standard White (textured matte finish), and a selection of other factory and customer-specified colors. Consult factory for details.