

Suspended  
 Direct/Indirect  
 3 T8 - Perf Housing



Project Name

Spec Type

Notes




## Order Guide

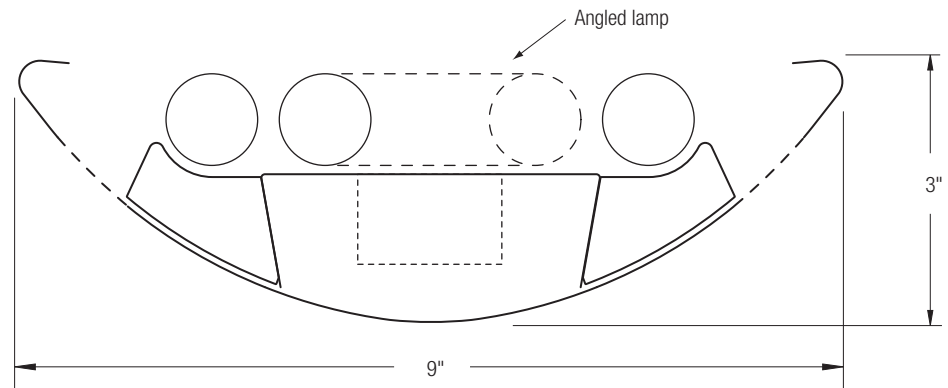
Some combinations of product options may not be available. Consult factory for assistance with your specification.

|  |                 |  |   |  |  |  |  |  |  |                      |
|--|-----------------|--|---|--|--|--|--|--|--|----------------------|
| <b>9506</b>                                      | <b>T03</b>      | <input type="text"/>   | <input type="text"/>  | -  | <input type="text"/>   | -  | <input type="text"/>   | -  | <input type="text"/>   | <input type="text"/> |
| Product Series & Type<br>Centris Direct/Indirect | Lamping<br>3 T8 | Lower Optics<br><b>M</b> Round Perf Housing / Solid Baffle<br><b>T</b> Round Perf Housing / Round Perf Baffle<br><b>U</b> Slot Perf Housing / Solid Baffle<br><b>Z</b> Slot Perf Housing / Round Perf Baffle<br><br>See details on reverse | Upper Optics<br><b>N</b> None<br><b>D</b> Down Kit<br><b>Y</b> Lamp Separator<br><br>See details on reverse | Run Length<br><i>Enter the total run length in feet (4ft increments)</i><br><br>See details on reverse | Wiring<br><b>1</b> 1 cct<br><b>2</b> 2 cct<br><b>3</b> 1 cct w/ Emergency cct<br><b>4</b> 2 cct w/ Emergency cct<br><b>5</b> 1 cct w/ Battery Pack<br><b>6</b> 2 cct w/ Battery Pack<br><b>7</b> 1 cct Dimming<br><br>Consult website for complete list of standard wiring options | Voltage<br><b>1</b> 120V<br><b>2</b> 277V<br><b>3</b> 347V | Ballast<br><b>E</b> Standard Ballast<br><br>Consult website for ballast manufacturer information | Color & Finish<br><b>W</b> Standard White<br><b>C</b> Factory Color<br><b>X</b> Custom Color<br><br>Consult website for color and finish options | <b>Mounting Hardware</b><br><input type="text"/> <input type="text"/><br><b>Mount Type</b> <input type="text"/> <b>Suspension Length</b> <input type="text"/><br>Consult separate mounting spec sheet for mount type options<br><i>Enter distance from ceiling to top of fixture in inches</i> |                      |

## Upgrades & Accessories

Please indicate with check mark.

|  |  |
|--|--|
| <input type="checkbox"/> Lamps Included  | <input type="checkbox"/> Lamps Included and Installed  |
| <input type="checkbox"/> Sculptured Endcap<br>See details on reverse   | <input type="checkbox"/> Dust Cover<br> |
| <input type="checkbox"/> Response Daylight (Integrated Controls)<br>For details visit <a href="http://www.ledalite.com/response">www.ledalite.com/response</a> |  |



# Centris®

Suspended  
Direct/Indirect  
3 T8 - Perf Housing



## Photometry Optics TY Round Perf Housing / Round Perf Baffle w/ Lamp Separator

### Report Summary

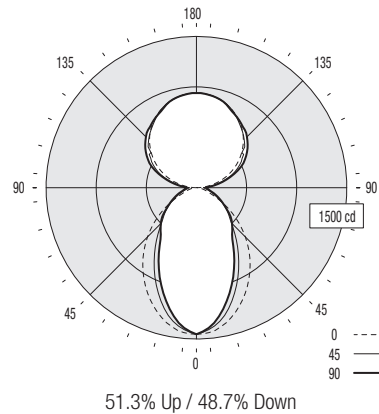
Report # 2101724  
Filename 9506T03MY-TY.ies  
Efficiency 64.1%

Peak Candela Value\* 939 @ 178°  
Peak to Zenith Ratio\* 1 : 1

\* Between 90-180° vertical angle

### Candela Distribution

| Vertical Angle | Horizontal Angle |      |      |      |      | Zonal Lumens |
|----------------|------------------|------|------|------|------|--------------|
|                | 0                | 22.5 | 45   | 67.5 | 90   |              |
| 0              | 1454             | 1454 | 1454 | 1454 | 1454 | 134          |
| 5              | 1442             | 1427 | 1412 | 1399 | 1396 | 347          |
| 15             | 1335             | 1292 | 1240 | 1182 | 1165 | 456          |
| 25             | 1153             | 1080 | 979  | 907  | 886  | 465          |
| 35             | 933              | 829  | 716  | 642  | 625  | 417          |
| 45             | 690              | 578  | 491  | 491  | 503  | 332          |
| 55             | 432              | 363  | 360  | 362  | 366  | 226          |
| 65             | 196              | 210  | 231  | 240  | 250  | 138          |
| 75             | 85               | 98   | 141  | 152  | 158  | 84           |
| 85             | 23               | 49   | 85   | 103  | 109  | 125          |
| 90             | 3                | 40   | 70   | 89   | 95   | 287          |
| 95             | 70               | 80   | 126  | 121  | 144  | 430          |
| 105            | 230              | 247  | 289  | 286  | 310  | 505          |
| 115            | 389              | 391  | 451  | 467  | 490  | 522          |
| 125            | 534              | 522  | 575  | 597  | 616  | 479          |
| 135            | 662              | 644  | 674  | 703  | 713  | 388          |
| 145            | 767              | 759  | 758  | 770  | 777  | 255          |
| 155            | 848              | 844  | 848  | 835  | 836  | 89           |
| 165            | 908              | 904  | 906  | 904  | 906  |              |
| 175            | 935              | 935  | 937  | 934  | 935  |              |
| 180            | 939              | 939  | 939  | 939  | 939  |              |



### Coefficients of Utilization (%)

| Ceiling:<br>Walk: | 80 |    |    |    | 70 |    |    |    | 50 |    |    |   | 0  |    |    |    |   |
|-------------------|----|----|----|----|----|----|----|----|----|----|----|---|----|----|----|----|---|
|                   | 70 | 50 | 30 | 10 | 70 | 50 | 30 | 10 | 50 | 30 | 10 | 0 | 70 | 50 | 30 | 10 | 0 |
| 0 RCR             | 68 | 68 | 68 | 68 | 62 | 62 | 62 | 52 | 52 | 52 | 29 |   |    |    |    |    |   |
| 1                 | 62 | 59 | 57 | 54 | 57 | 54 | 52 | 45 | 44 | 42 | 24 |   |    |    |    |    |   |
| 2                 | 57 | 52 | 48 | 45 | 52 | 48 | 44 | 40 | 38 | 35 | 21 |   |    |    |    |    |   |
| 3                 | 52 | 46 | 41 | 38 | 47 | 42 | 38 | 35 | 33 | 30 | 18 |   |    |    |    |    |   |
| 4                 | 47 | 41 | 36 | 32 | 43 | 38 | 33 | 32 | 28 | 26 | 16 |   |    |    |    |    |   |
| 5                 | 44 | 36 | 31 | 28 | 40 | 34 | 29 | 29 | 25 | 23 | 14 |   |    |    |    |    |   |
| 6                 | 40 | 33 | 28 | 24 | 37 | 30 | 26 | 26 | 22 | 20 | 12 |   |    |    |    |    |   |
| 7                 | 37 | 30 | 25 | 21 | 34 | 28 | 23 | 23 | 20 | 18 | 11 |   |    |    |    |    |   |
| 8                 | 35 | 27 | 22 | 19 | 32 | 25 | 21 | 21 | 18 | 16 | 10 |   |    |    |    |    |   |
| 9                 | 32 | 25 | 20 | 17 | 30 | 23 | 19 | 20 | 16 | 14 | 9  |   |    |    |    |    |   |
| 10                | 30 | 23 | 18 | 15 | 28 | 21 | 17 | 18 | 15 | 13 | 8  |   |    |    |    |    |   |

Based on a floor reflectance of 0.2

### Avg. Luminance (cd/m<sup>2</sup>)

| Vertical Angle | Horizontal Angle |      |      |
|----------------|------------------|------|------|
|                | 0                | 45   | 90   |
| 55             | 3070             | 1871 | 1712 |
| 65             | 1890             | 1436 | 1355 |
| 75             | 1339             | 1133 | 1056 |
| 85             | 1076             | 1009 | 989  |

IES files for this and other photometric options can be downloaded online at [www.ledalite.com](http://www.ledalite.com)

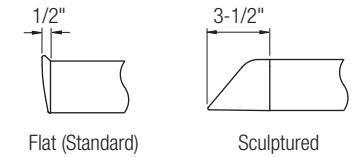
## Additional Information

### Modules

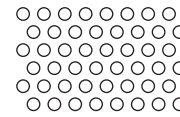
Module length excludes endcaps.  
Nominal mount spacing for individually mounted modules.

| Module | Mount Spacing |
|--------|---------------|
| 4ft    | 4' 0"         |
| 8ft    | 8' 0"         |
| 12ft   | 12' 0"        |

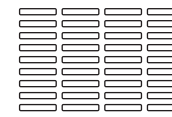
### Endcap



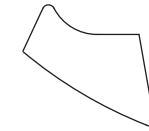
### Lower Optics



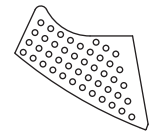
Round Perf Housing



Slot Perf Housing

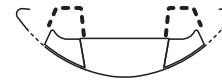


Solid Baffle



Round Perf Baffle

### Upper Optics



D Down Kit



Y Lamp Separator

## Specifications

Due to continuing product improvements, Ledalite reserves the right to change specifications without notice.

### Housing

Die-formed 20 gauge cold-rolled steel.

### Weight

3.0 lb/ft.

### Optical System

Direct/Indirect: Constructed of 96% reflective white steel to produce a direct/indirect distribution. Baffles are white blades spaced 2-7/16" apart and are 3/4" deep (18 cells per 4ft section). Perforation of baffles and housing is optional. Perforated housing options include acrylic overlay. Optional field-installable Variable Optics kits provide additional downlight as required.

Semi-Indirect: Constructed of 96% reflective white steel with perforated housing and acrylic overlay to produce a semi-indirect distribution. Perforated housing available in round or slot perforation patterns.

Indirect: Constructed of 96% reflective white steel to produce an indirect distribution.

High performance options use additional highly-specular aluminum reflectors.

### Endcaps

Die-cast endcap or optional die-cast sculptured endcap.

### Joints

Self-aligning joining system with hands-free pre-joining wire access.

### Mounting

Aircraft cable gripper is tamper-resistant and provides infinite vertical adjustment capability. Aircraft cable, crimp and cable gripper independently tested to meet stringent safety requirements.

### Electrical

Factory pre-wired to section ends with quick-wire connectors.

### Ballast

Electronic.

### Approvals

Certified to UL and CSA standards.

### Finish

High-quality powder coat. Available in Ledalite Standard White (textured matte finish), and a selection of other factory and customer-specified colors. Consult factory for details.