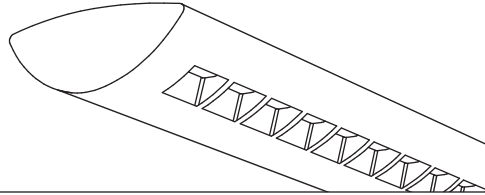


Centris®



Suspended
Direct/Indirect
3 T8 - Solid Housing



Project Name

Spec Type

Notes




Order Guide

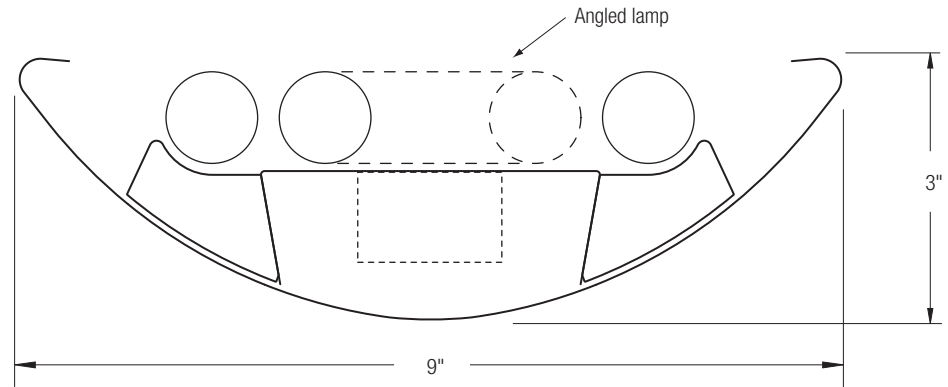
Some combinations of product options may not be available. Consult factory for assistance with your specification.

9506	T03	<input type="text"/>	<input type="text"/>	-	<input type="text"/>	-	<input type="text"/>	-	<input type="text"/>	-	<input type="text"/>
Product Series & Type Centris Direct/Indirect	Lamping 3 T8	Lower Optics C Solid Baffle R Round Perf Baffle	Upper Optics N None D Down Kit Y Lamp Separator	Run Length <i>Enter the total run length in feet (4ft increments)</i>	Wiring 1 1 cct 2 2 cct 3 1 cct w/ Emergency cct 4 2 cct w/ Emergency cct 5 1 cct w/ Battery Pack 6 2 cct w/ Battery Pack 7 1 cct Dimming	Voltage 1 120V 2 277V 3 347V	Ballast E Standard Ballast Consult website for ballast manufacturer information	Color & Finish W Standard White C Factory Color X Custom Color Consult website for color and finish options			
Mounting Hardware											
<input type="text"/>					<input type="text"/>						
Mount Type Consult separate mounting spec sheet for mount type options					Suspension Length <i>Enter distance from ceiling to top of fixture in inches</i>						

Upgrades & Accessories

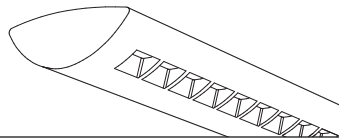
Please indicate with check mark.

<input type="checkbox"/> Lamps Included	<input type="checkbox"/> Lamps Included and Installed
<input type="checkbox"/> Sculptured Endcap See details on reverse	<input type="checkbox"/> Dust Cover 
<input type="checkbox"/> Response Daylight (Integrated Controls) For details visit www.ledalite.com/response	



Centris®

Suspended
Direct/Indirect
3 T8 - Solid Housing



Photometry Optics RY Round Perf Baffle w/ Lamp Separator

Report Summary

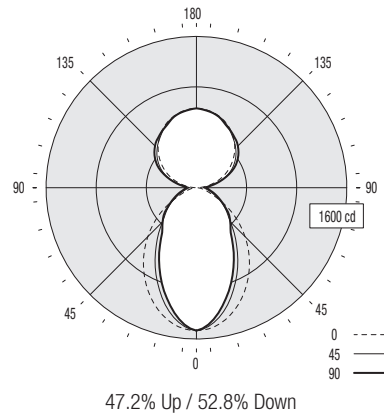
Report # 2101596
Filename 9506T03CY-RY.ies
Efficiency 60.9%

Peak Candela Value* 839 @ 180°
Peak to Zenith Ratio* 1 : 1

* Between 90-180° vertical angle

Candela Distribution

Vertical Angle	Horizontal Angle					Zonal Lumens
	0	22.5	45	67.5	90	
0	1512	1512	1512	1512	1512	
5	1499	1486	1473	1445	1454	139
15	1394	1337	1282	1211	1212	359
25	1211	1101	1017	934	932	472
35	984	845	746	663	658	481
45	731	589	513	494	508	428
55	468	366	370	371	384	343
65	215	214	242	249	264	236
75	90	104	149	163	177	147
85	26	55	93	112	122	91
90	7	42	75	95	102	
95	56	72	105	113	122	111
105	195	212	248	244	258	246
115	337	334	395	401	416	373
125	462	449	503	524	538	441
135	577	563	591	614	623	457
145	675	667	666	675	682	422
155	753	744	748	734	735	343
165	806	800	801	799	800	226
175	835	833	833	829	829	81
180	839	839	839	839	839	



Coefficients of Utilization (%)

Ceiling: Walk:	80				70				50				0			
	70	50	30	10	70	50	30	10	50	30	10	0	70	50	30	10
0 RCR	65	65	65	65	60	60	60	60	50	50	50	30				
1	59	57	54	52	55	52	50	44	43	41	25					
2	54	50	46	43	50	46	43	39	37	35	22					
3	50	44	40	36	46	41	37	35	32	29	19					
4	46	39	34	31	42	36	32	31	28	25	16					
5	42	35	30	27	39	33	28	28	25	22	14					
6	39	32	27	23	36	29	25	25	22	19	13					
7	36	29	24	21	33	27	22	23	20	17	11					
8	33	26	21	18	31	24	20	21	18	15	10					
9	31	24	19	16	29	22	18	19	16	14	9					
10	29	22	18	15	27	21	17	18	15	13	9					

Based on a floor reflectance of 0.2

Avg. Luminance (cd/m²)

Vertical Angle	Horizontal Angle		
	0	45	90
55	3326	1923	1796
65	2073	1504	1430
75	1417	1197	1183
85	1216	1104	1106

IES files for this and other photometric options can be downloaded online at www.ledalite.com

Additional Information

Modules

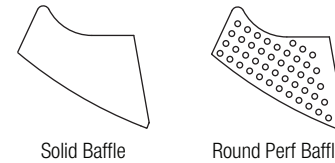
Module length excludes endcaps.
Nominal mount spacing for individually mounted modules.

Module	Mount Spacing
4ft	4' 0"
8ft	8' 0"
12ft	12' 0"

Endcap



Lower Optics



Upper Optics



Specifications

Due to continuing product improvements, Ledalite reserves the right to change specifications without notice.

Housing

Die-formed 20 gauge cold-rolled steel.

Weight

3.0 lb/ft.

Optical System

Direct/Indirect: Constructed of 96% reflective white steel to produce a direct/indirect distribution. Baffles are white blades spaced 2-7/16" apart and are 3/4" deep (18 cells per 4ft section). Perforation of baffles and housing is optional. Perforated housing options include acrylic overlay. Optional field-installable Variable Optics kits provide additional downlight as required.

Semi-Indirect: Constructed of 96% reflective white steel with perforated housing and acrylic overlay to produce a semi-indirect distribution. Perforated housing available in round or slot perforation patterns.

Indirect: Constructed of 96% reflective white steel to produce an indirect distribution.

High performance options use additional highly-specular aluminum reflectors.

Endcaps

Die-cast endcap or optional die-cast sculptured endcap.

Joints

Self-aligning joining system with hands-free pre-joining wire access.

Mounting

Aircraft cable gripper is tamper-resistant and provides infinite vertical adjustment capability. Aircraft cable, crimp and cable gripper independently tested to meet stringent safety requirements.

Electrical

Factory pre-wired to section ends with quick-wire connectors.

Ballast

Electronic.

Approvals

Certified to UL and CSA standards.

Finish

High-quality powder coat. Available in Ledalite Standard White (textured matte finish), and a selection of other factory and customer-specified colors. Consult factory for details.