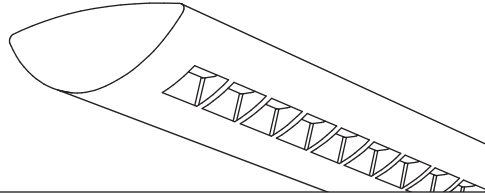


Suspended  
 Direct/Indirect  
 3 T8 - Solid Housing



Project Name

Spec Type

Notes




## Order Guide

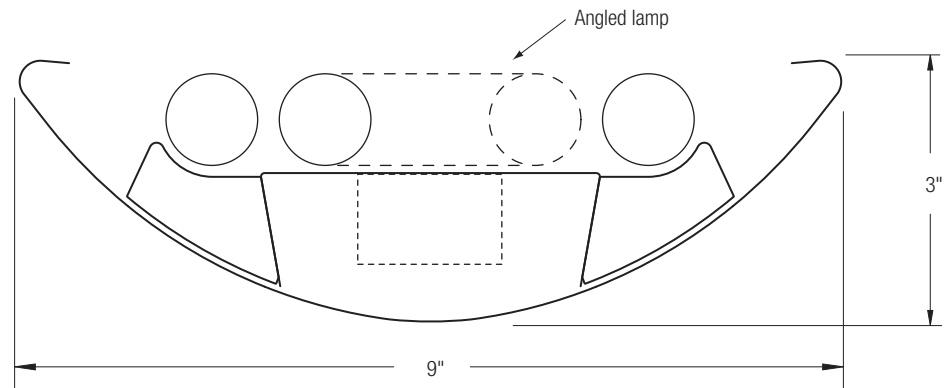
Some combinations of product options may not be available. Consult factory for assistance with your specification.

<b>9506</b>	<b>T03</b>			-		-		-	
<b>Product Series &amp; Type</b> Centris Direct/Indirect	<b>Lamping</b> 3 T8	<b>Lower Optics</b> C Solid Baffle R Round Perf Baffle	<b>Upper Optics</b> N None D Down Kit Y Lamp Separator	<b>Run Length</b> <i>Enter the total run length in feet (4ft increments)</i>	<b>Wiring</b> 1 1 cct 2 2 cct 3 1 cct w/ Emergency cct 4 2 cct w/ Emergency cct 5 1 cct w/ Battery Pack 6 2 cct w/ Battery Pack 7 1 cct Dimming	<b>Voltage</b> 1 120V 2 277V 3 347V	<b>Ballast</b> E Standard Ballast  Consult website for ballast manufacturer information	<b>Color &amp; Finish</b> W Standard White C Factory Color X Custom Color  Consult website for color and finish options	
		See details on reverse	See details on reverse	See details on reverse	Consult website for complete list of standard wiring options				
<b>Mounting Hardware</b>									
<b>Mount Type</b> Consult separate mounting spec sheet for mount type options				<b>Suspension Length</b> <i>Enter distance from ceiling to top of fixture in inches</i>					

## Upgrades & Accessories

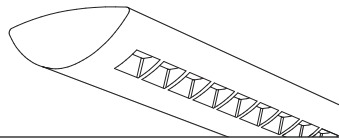
Please indicate with check mark.

<input type="checkbox"/> Lamps Included	<input type="checkbox"/> Lamps Included and Installed
<input type="checkbox"/> Sculptured Endcap See details on reverse	<input type="checkbox"/> Dust Cover 
<input type="checkbox"/> Response Daylight (Integrated Controls) For details visit <a href="http://www.ledalite.com/response">www.ledalite.com/response</a>	



# Centris®

Suspended  
Direct/Indirect  
3 T8 - Solid Housing



## Photometry Optics RN Round Perf Baffle

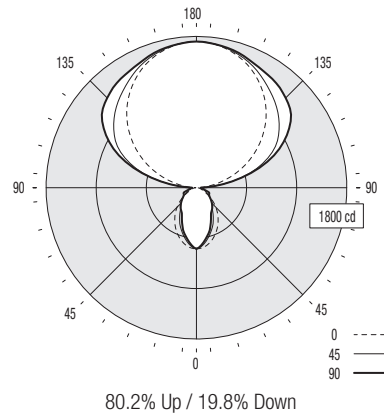
### Report Summary

**Report #** 2101590  
**Filename** 9506T03CN-RN.ies  
**Efficiency** 84.1%

**Peak Candela Value\*** 1740 @ 180°  
**Peak to Zenith Ratio\*** 1 : 1  
\* Between 90-180° vertical angle

### Candela Distribution

Vertical Angle	Horizontal Angle					Zonal Lumens
	0	22.5	45	67.5	90	
0	727	727	727	727	727	
5	720	712	701	681	685	67
15	663	626	592	558	562	167
25	568	508	472	418	412	216
35	452	391	339	316	322	224
45	329	282	260	256	262	210
55	201	191	194	186	195	173
65	98	117	128	152	169	133
75	52	62	98	96	102	90
85	23	35	53	58	62	52
90	7	29	45	53	51	
95	91	147	213	186	212	203
105	353	525	655	647	676	612
115	647	777	1002	1058	1096	913
125	927	998	1208	1339	1377	1048
135	1179	1208	1357	1469	1511	1039
145	1389	1402	1479	1551	1582	928
155	1554	1555	1597	1616	1631	735
165	1668	1665	1681	1689	1696	475
175	1730	1730	1733	1729	1730	168
180	1740	1740	1740	1740	1740	



### Coefficients of Utilization (%)

Ceiling:	Horizontal Angle										
	70		80		10		70		50		0
Walk:	70	50	30	10	70	50	30	50	30	10	0
0 RCR	83	83	83	83	73	73	73	55	55	55	15
1	76	72	69	66	67	64	61	48	46	44	12
2	69	63	58	54	61	56	52	42	39	37	10
3	63	55	50	45	55	49	44	37	34	31	9
4	57	49	43	38	50	43	38	33	29	26	7
5	53	43	37	32	46	38	33	29	25	22	7
6	48	39	32	28	42	34	29	26	22	19	6
7	45	35	29	24	39	31	26	24	20	17	5
8	41	31	25	21	36	28	23	21	18	15	5
9	38	29	23	19	34	25	20	19	16	13	4
10	36	26	20	17	31	23	18	18	14	12	4

Based on a floor reflectance of 0.2

### Avg. Luminance (cd/m²)

Vertical Angle	Horizontal Angle		
	0	45	90
55	1428	1008	912
65	945	796	916
75	819	788	681
85	1076	629	562

IES files for this and other photometric options can be downloaded online at [www.ledalite.com](http://www.ledalite.com)

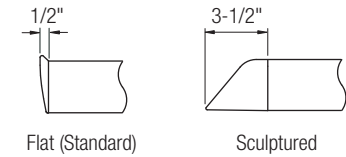
## Additional Information

### Modules

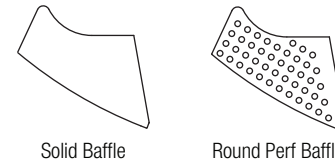
Module length excludes endcaps.  
Nominal mount spacing for individually mounted modules.

Module	Mount Spacing
4ft	4' 0"
8ft	8' 0"
12ft	12' 0"

### Endcap



### Lower Optics



### Upper Optics



## Specifications

Due to continuing product improvements, Ledalite reserves the right to change specifications without notice.

### Housing

Die-formed 20 gauge cold-rolled steel.

### Weight

3.0 lb/ft.

### Optical System

Direct/Indirect: Constructed of 96% reflective white steel to produce a direct/indirect distribution. Baffles are white blades spaced 2-7/16" apart and are 3/4" deep (18 cells per 4ft section). Perforation of baffles and housing is optional. Perforated housing options include acrylic overlay. Optional field-installable Variable Optics kits provide additional downlight as required.

Semi-Indirect: Constructed of 96% reflective white steel with perforated housing and acrylic overlay to produce a semi-indirect distribution. Perforated housing available in round or slot perforation patterns.

Indirect: Constructed of 96% reflective white steel to produce an indirect distribution.

High performance options use additional highly-specular aluminum reflectors.

### Endcaps

Die-cast endcap or optional die-cast sculptured endcap.

### Joints

Self-aligning joining system with hands-free pre-joining wire access.

### Mounting

Aircraft cable gripper is tamper-resistant and provides infinite vertical adjustment capability. Aircraft cable, crimp and cable gripper independently tested to meet stringent safety requirements.

### Electrical

Factory pre-wired to section ends with quick-wire connectors.

### Ballast

Electronic.

### Approvals

Certified to UL and CSA standards.

### Finish

High-quality powder coat. Available in Ledalite Standard White (textured matte finish), and a selection of other factory and customer-specified colors. Consult factory for details.