

Centris®



Suspended
Direct/Indirect
3 T8 - Perf Housing



Project Name

Spec Type

Notes




Order Guide

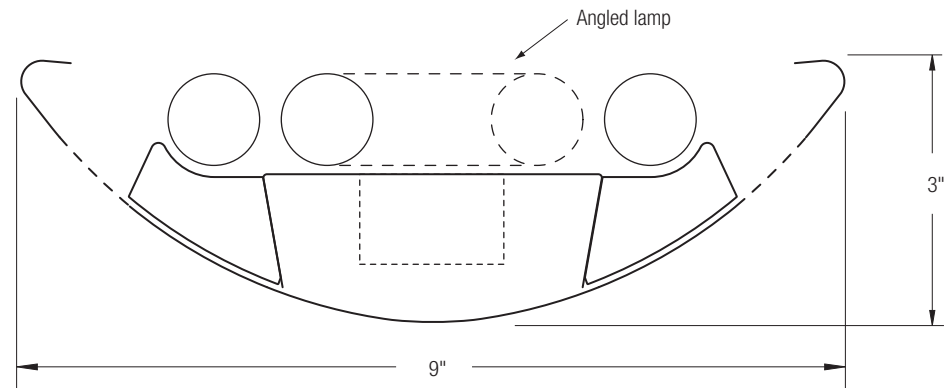
Some combinations of product options may not be available. Consult factory for assistance with your specification.

| 9506 | T03 | | | - | | - | | - | | | |
|--|-----------------|--|---|--|--|--|--|--|--|--|--|
| Product Series & Type Centris Direct/Indirect | Lamping 3 T8 | Lower Optics M Round Perf Housing / Solid Baffle T Round Perf Housing / Round Perf Baffle U Slot Perf Housing / Solid Baffle Z Slot Perf Housing / Round Perf Baffle | Upper Optics N None D Down Kit Y Lamp Separator | Run Length <i>Enter the total run length in feet (4ft increments)</i> | Wiring 1 1 cct 2 2 cct 3 1 cct w/ Emergency cct 4 2 cct w/ Emergency cct 5 1 cct w/ Battery Pack 6 2 cct w/ Battery Pack 7 1 cct Dimming | Voltage 1 120V 2 277V 3 347V | Ballast E Standard Ballast Consult website for ballast manufacturer information | Color & Finish W Standard White C Factory Color X Custom Color Consult website for color and finish options | Mounting Hardware <input type="text"/> <input type="text"/> Mount Type <input type="text"/> Suspension Length <input type="text"/> Consult separate mounting spec sheet for mount type options <i>Enter distance from ceiling to top of fixture in inches</i> | | |
| | | See details on reverse | See details on reverse | See details on reverse | Consult website for complete list of standard wiring options | | | | | | |

Upgrades & Accessories

Please indicate with check mark.

| | |
|--|--|
| <input type="checkbox"/> Lamps Included | <input type="checkbox"/> Lamps Included and Installed |
| <input type="checkbox"/> Sculptured Endcap See details on reverse | <input type="checkbox"/> Dust Cover  |
| <input type="checkbox"/> Response Daylight (Integrated Controls) For details visit www.ledalite.com/response | |



Centris®

Suspended
Direct/Indirect
3 T8 - Perf Housing



Photometry Optics MY Round Perf Housing / Solid Baffle w/ Lamp Separator

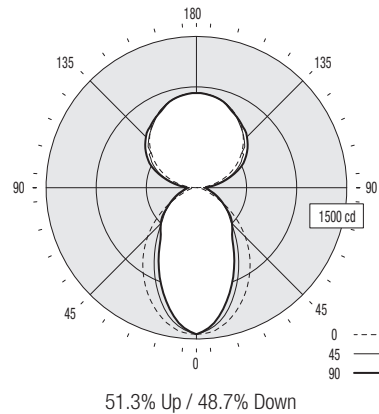
Report Summary

Report # 2101724
Filename 9506T03MY-TY.ies
Efficiency 64.1%

Peak Candela Value* 939 @ 178°
Peak to Zenith Ratio* 1 : 1
* Between 90-180° vertical angle

Candela Distribution

| Vertical Angle | Horizontal Angle | | | | | Zonal Lumens |
|----------------|------------------|------|------|------|------|--------------|
| | 0 | 22.5 | 45 | 67.5 | 90 | |
| 0 | 1454 | 1454 | 1454 | 1454 | 1454 | |
| 5 | 1442 | 1427 | 1412 | 1399 | 1396 | 134 |
| 15 | 1335 | 1292 | 1240 | 1182 | 1165 | 347 |
| 25 | 1153 | 1080 | 979 | 907 | 886 | 456 |
| 35 | 933 | 829 | 716 | 642 | 625 | 465 |
| 45 | 690 | 578 | 491 | 491 | 503 | 417 |
| 55 | 432 | 363 | 360 | 362 | 366 | 332 |
| 65 | 196 | 210 | 231 | 240 | 250 | 226 |
| 75 | 85 | 98 | 141 | 152 | 158 | 138 |
| 85 | 23 | 49 | 85 | 103 | 109 | 84 |
| 90 | 3 | 40 | 70 | 89 | 95 | |
| 95 | 70 | 80 | 126 | 121 | 144 | 125 |
| 105 | 230 | 247 | 289 | 286 | 310 | 287 |
| 115 | 389 | 391 | 451 | 467 | 490 | 430 |
| 125 | 534 | 522 | 575 | 597 | 616 | 505 |
| 135 | 662 | 644 | 674 | 703 | 713 | 522 |
| 145 | 767 | 759 | 758 | 770 | 777 | 479 |
| 155 | 848 | 844 | 848 | 835 | 836 | 388 |
| 165 | 908 | 904 | 906 | 904 | 906 | 255 |
| 175 | 935 | 935 | 937 | 934 | 935 | 89 |
| 180 | 939 | 939 | 939 | 939 | 939 | |



Coefficients of Utilization (%)

| Ceiling: Walk: | 80 | | | | 70 | | | | 50 | | | | 0 | | | | |
|-------------------|----|----|----|----|----|----|----|----|----|----|----|---|----|----|----|----|---|
| | 70 | 50 | 30 | 10 | 70 | 50 | 30 | 10 | 50 | 30 | 10 | 0 | 70 | 50 | 30 | 10 | 0 |
| 0 RCR | 68 | 68 | 68 | 68 | 62 | 62 | 62 | 52 | 52 | 52 | 29 | | | | | | |
| 1 | 62 | 59 | 57 | 54 | 57 | 54 | 52 | 45 | 44 | 42 | 24 | | | | | | |
| 2 | 57 | 52 | 48 | 45 | 52 | 48 | 44 | 40 | 38 | 35 | 21 | | | | | | |
| 3 | 52 | 46 | 41 | 38 | 47 | 42 | 38 | 35 | 33 | 30 | 18 | | | | | | |
| 4 | 47 | 41 | 36 | 32 | 43 | 38 | 33 | 32 | 28 | 26 | 16 | | | | | | |
| 5 | 44 | 36 | 31 | 28 | 40 | 34 | 29 | 29 | 25 | 23 | 14 | | | | | | |
| 6 | 40 | 33 | 28 | 24 | 37 | 30 | 26 | 26 | 22 | 20 | 12 | | | | | | |
| 7 | 37 | 30 | 25 | 21 | 34 | 28 | 23 | 23 | 20 | 18 | 11 | | | | | | |
| 8 | 35 | 27 | 22 | 19 | 32 | 25 | 21 | 21 | 18 | 16 | 10 | | | | | | |
| 9 | 32 | 25 | 20 | 17 | 30 | 23 | 19 | 20 | 16 | 14 | 9 | | | | | | |
| 10 | 30 | 23 | 18 | 15 | 28 | 21 | 17 | 18 | 15 | 13 | 8 | | | | | | |

Based on a floor reflectance of 0.2

Avg. Luminance (cd/m²)

| Vertical Angle | Horizontal Angle | | |
|----------------|------------------|------|------|
| | 0 | 45 | 90 |
| 55 | 3070 | 1871 | 1712 |
| 65 | 1890 | 1436 | 1355 |
| 75 | 1339 | 1133 | 1056 |
| 85 | 1076 | 1009 | 989 |

IES files for this and other photometric options can be downloaded online at www.ledalite.com

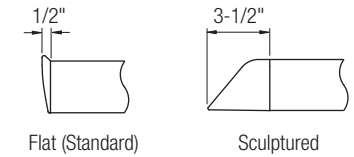
Additional Information

Modules

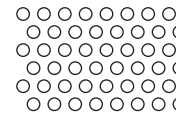
Module length excludes endcaps.
Nominal mount spacing for individually mounted modules.

| Module | Mount Spacing |
|--------|---------------|
| 4ft | 4' 0" |
| 8ft | 8' 0" |
| 12ft | 12' 0" |

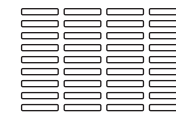
Endcap



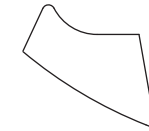
Lower Optics



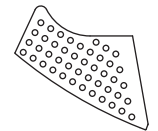
Round Perf Housing



Slot Perf Housing

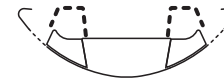


Solid Baffle

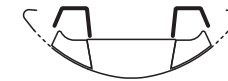


Round Perf Baffle

Upper Optics



D Down Kit



Y Lamp Separator

Specifications

Due to continuing product improvements, Ledalite reserves the right to change specifications without notice.

Housing

Die-formed 20 gauge cold-rolled steel.

Weight

3.0 lb/ft.

Optical System

Direct/Indirect: Constructed of 96% reflective white steel to produce a direct/indirect distribution. Baffles are white blades spaced 2-7/16" apart and are 3/4" deep (18 cells per 4ft section). Perforation of baffles and housing is optional. Perforated housing options include acrylic overlay. Optional field-installable Variable Optics kits provide additional downlight as required.

Semi-Indirect: Constructed of 96% reflective white steel with perforated housing and acrylic overlay to produce a semi-indirect distribution. Perforated housing available in round or slot perforation patterns.

Indirect: Constructed of 96% reflective white steel to produce an indirect distribution.

High performance options use additional highly-specular aluminum reflectors.

Endcaps

Die-cast endcap or optional die-cast sculptured endcap.

Joints

Self-aligning joining system with hands-free pre-joining wire access.

Mounting

Aircraft cable gripper is tamper-resistant and provides infinite vertical adjustment capability. Aircraft cable, crimp and cable gripper independently tested to meet stringent safety requirements.

Electrical

Factory pre-wired to section ends with quick-wire connectors.

Ballast

Electronic.

Approvals

Certified to UL and CSA standards.

Finish

High-quality powder coat. Available in Ledalite Standard White (textured matte finish), and a selection of other factory and customer-specified colors. Consult factory for details.