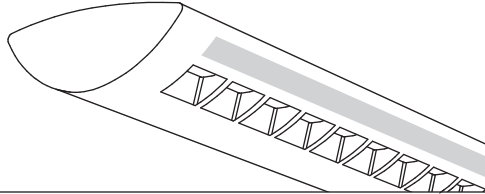


# Centris®



Suspended  
 Direct/Indirect  
 3 T8 - Perf Housing



Project Name

Spec Type

Notes




## Order Guide

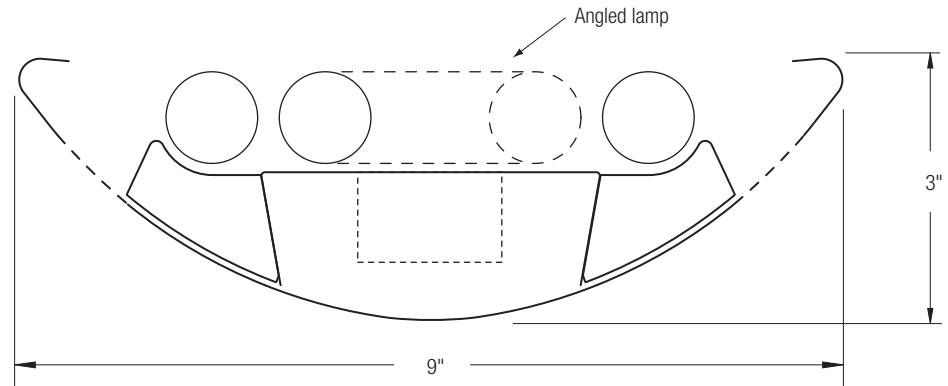
Some combinations of product options may not be available. Consult factory for assistance with your specification.

<b>9506</b>	<b>T03</b>			-		-		-		
Product Series & Type Centris Direct/Indirect	Lamping 3 T8	Lower Optics <b>M</b> Round Perf Housing / Solid Baffle <b>T</b> Round Perf Housing / Round Perf Baffle <b>U</b> Slot Perf Housing / Solid Baffle <b>Z</b> Slot Perf Housing / Round Perf Baffle	Upper Optics <b>N</b> None <b>D</b> Down Kit <b>Y</b> Lamp Separator	Run Length <i>Enter the total run length in feet (4ft increments)</i>	Wiring <b>1</b> 1 cct <b>2</b> 2 cct <b>3</b> 1 cct w/ Emergency cct <b>4</b> 2 cct w/ Emergency cct <b>5</b> 1 cct w/ Battery Pack <b>6</b> 2 cct w/ Battery Pack <b>7</b> 1 cct Dimming	Voltage <b>1</b> 120V <b>2</b> 277V <b>3</b> 347V	Ballast <b>E</b> Standard Ballast  Consult website for ballast manufacturer information	Color & Finish <b>W</b> Standard White <b>C</b> Factory Color <b>X</b> Custom Color  Consult website for color and finish options	<b>Mounting Hardware</b> <input type="text"/> <input type="text"/> <b>Mount Type</b> <input type="text"/> <b>Suspension Length</b> <input type="text"/> Consult separate mounting spec sheet for mount type options <i>Enter distance from ceiling to top of fixture in inches</i>	
		See details on reverse	See details on reverse	See details on reverse	Consult website for complete list of standard wiring options					

## Upgrades & Accessories

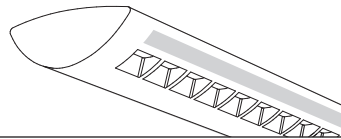
Please indicate with check mark.

<input type="checkbox"/> Lamps Included	<input type="checkbox"/> Lamps Included and Installed
<input type="checkbox"/> Sculptured Endcap See details on reverse	<input type="checkbox"/> Dust Cover 
<input type="checkbox"/> Response Daylight (Integrated Controls) For details visit <a href="http://www.ledalite.com/response">www.ledalite.com/response</a>	



# Centris®

Suspended  
Direct/Indirect  
3 T8 - Perf Housing



## Photometry Optics MD Round Perf Housing / Solid Baffle w/ Down Kit

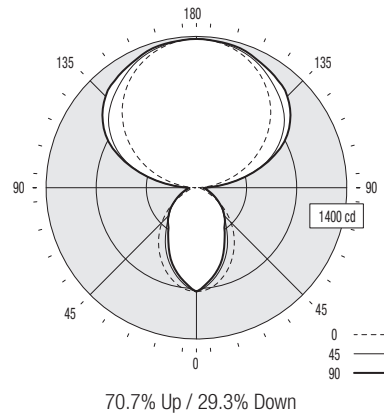
### Report Summary

**Report #** 9900061  
**Filename** 9506T03MD-TD.ies  
**Efficiency** 77.6%

**Peak Candela Value\*** 1377 @ 180°  
**Peak to Zenith Ratio\*** 1 : 1  
\* Between 90-180° vertical angle

### Candela Distribution

Vertical Angle	Horizontal Angle					Zonal Lumens
	0	22.5	45	67.5	90	
0	962	962	962	962	962	
5	952	945	925	911	906	87
15	879	843	808	785	778	229
25	761	705	662	624	610	308
35	615	555	495	463	453	322
45	455	407	360	365	367	298
55	287	265	266	270	270	242
65	134	163	172	178	183	168
75	66	80	103	114	118	105
85	21	41	65	79	84	67
90	5	34	61	82	81	
95	86	152	207	219	211	203
105	318	448	545	553	549	519
115	561	672	813	854	860	751
125	785	857	996	1055	1064	855
135	979	1021	1119	1188	1196	851
145	1133	1157	1211	1256	1265	756
155	1251	1260	1296	1313	1315	595
165	1331	1332	1346	1357	1360	380
175	1372	1372	1373	1373	1372	133
180	1377	1377	1377	1377	1377	



### Coefficients of Utilization (%)

Ceiling: Walk:	80				70				50				0
	70	50	30	10	70	50	30	10	50	30	10	0	
0 RCR	79	79	79	79	70	70	70	54	54	54	20		
1	71	68	65	63	64	61	59	47	46	44	17		
2	65	60	55	51	58	53	50	42	39	37	14		
3	59	52	47	43	53	47	42	37	34	31	12		
4	54	46	41	36	48	42	37	33	29	26	11		
5	50	41	35	31	44	37	32	29	25	23	9		
6	46	37	31	27	41	33	28	26	22	20	8		
7	42	33	27	23	38	30	25	24	20	17	7		
8	39	30	24	20	35	27	22	22	18	15	7		
9	36	27	22	18	32	25	20	20	16	14	6		
10	34	25	20	16	30	23	18	18	15	12	5		

Based on a floor reflectance of 0.2

### Avg. Luminance (cd/m²)

Vertical Angle	Horizontal Angle		
	0	45	90
55	2039	1382	1263
65	1292	1069	992
75	1039	828	788
85	982	772	762

IES files for this and other photometric options can be downloaded online at [www.ledalite.com](http://www.ledalite.com)

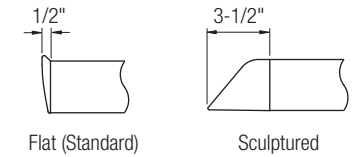
## Additional Information

### Modules

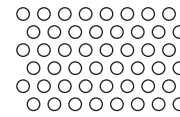
Module length excludes endcaps.  
Nominal mount spacing for individually mounted modules.

Module	Mount Spacing
4ft	4' 0"
8ft	8' 0"
12ft	12' 0"

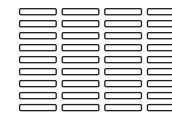
### Endcap



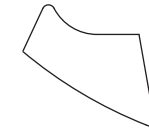
### Lower Optics



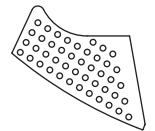
Round Perf Housing



Slot Perf Housing



Solid Baffle



Round Perf Baffle

### Upper Optics



D Down Kit



Y Lamp Separator

## Specifications

Due to continuing product improvements, Ledalite reserves the right to change specifications without notice.

### Housing

Die-formed 20 gauge cold-rolled steel.

### Weight

3.0 lb/ft.

### Optical System

Direct/Indirect: Constructed of 96% reflective white steel to produce a direct/indirect distribution. Baffles are white blades spaced 2-7/16" apart and are 3/4" deep (18 cells per 4ft section). Perforation of baffles and housing is optional. Perforated housing options include acrylic overlay. Optional field-installable Variable Optics kits provide additional downlight as required.

Semi-Indirect: Constructed of 96% reflective white steel with perforated housing and acrylic overlay to produce a semi-indirect distribution. Perforated housing available in round or slot perforation patterns.

Indirect: Constructed of 96% reflective white steel to produce an indirect distribution.

High performance options use additional highly-specular aluminum reflectors.

### Endcaps

Die-cast endcap or optional die-cast sculptured endcap.

### Joints

Self-aligning joining system with hands-free pre-joining wire access.

### Mounting

Aircraft cable gripper is tamper-resistant and provides infinite vertical adjustment capability. Aircraft cable, crimp and cable gripper independently tested to meet stringent safety requirements.

### Electrical

Factory pre-wired to section ends with quick-wire connectors.

### Ballast

Electronic.

### Approvals

Certified to UL and CSA standards.

### Finish

High-quality powder coat. Available in Ledalite Standard White (textured matte finish), and a selection of other factory and customer-specified colors. Consult factory for details.