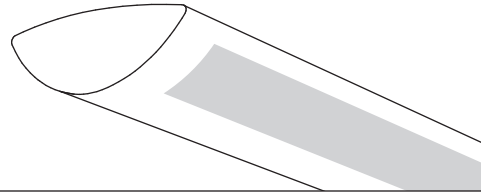


Suspended
Semi-Indirect
3 T8



Project Name

Spec Type

Notes


Order Guide

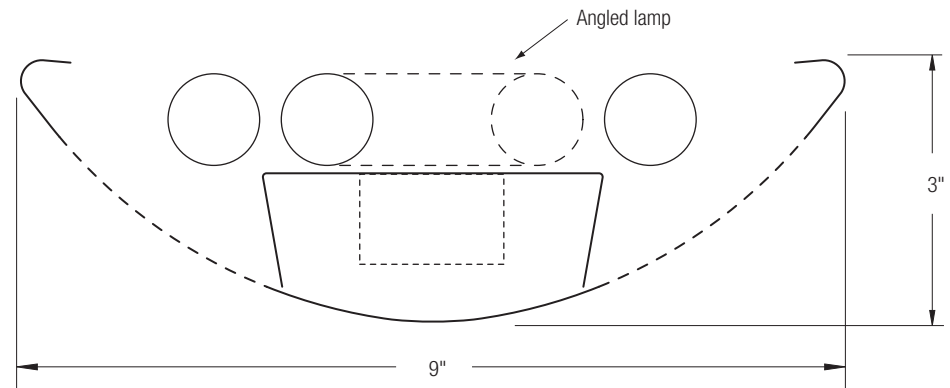
Some combinations of product options may not be available. Consult factory for assistance with your specification.

9505	T03			-		-		-		
Product Series & Type Centris Semi-Indirect	Lamping 3 T8	Lower Optics L Round Perf Housing I Slot Perf Housing	Upper Optics N None	Run Length <i>Enter the total run length in feet (4ft increments)</i>	Wiring 1 1 cct 2 2 cct 3 1 cct w/ Emergency cct 4 2 cct w/ Emergency cct 5 1 cct w/ Battery Pack 6 2 cct w/ Battery Pack 7 1 cct Dimming	Voltage 1 120V 2 277V 3 347V	Ballast E Standard Ballast Consult website for ballast manufacturer information	Color & Finish W Standard White C Factory Color X Custom Color Consult website for color and finish options		
									Mounting Hardware	
									<input type="text"/>	<input type="text"/>
									Mount Type Consult separate mounting spec sheet for mount type options	Suspension Length <i>Enter distance from ceiling to top of fixture in inches</i>

Upgrades & Accessories

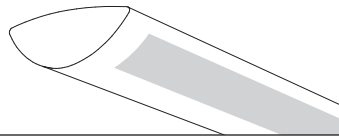
Please indicate with check mark.

<input type="checkbox"/> Lamps Included	<input type="checkbox"/> Lamps Included and Installed
<input type="checkbox"/> Sculptured Endcap See details on reverse	<input type="checkbox"/> Dust Cover 
<input type="checkbox"/> Response Daylight (Integrated Controls) For details visit www.ledalite.com/response	



Centris®

Suspended
Semi-Indirect
3 T8



Photometry Optics LN Round Perf Housing

Report Summary

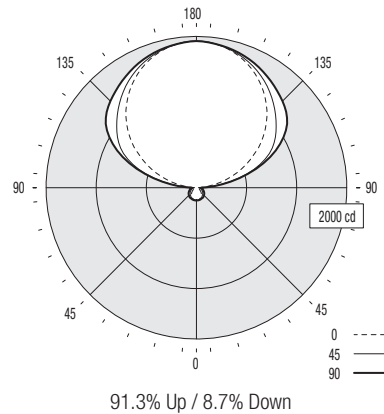
Report # 2101589
Filename 9505T03LN.ies
Efficiency 81.3%

Peak Candela Value* 1939 @ 180°
Peak to Zenith Ratio* 1 : 1

* Between 90-180° vertical angle

Candela Distribution

Vertical Angle	Horizontal Angle					Zonal Lumens
	0	22.5	45	67.5	90	
0	168	168	168	168	168	
5	167	166	167	168	168	16
15	156	157	162	164	166	46
25	139	141	150	155	160	68
35	114	118	133	147	156	83
45	87	94	119	133	143	88
55	58	71	101	117	127	85
65	32	51	80	98	108	75
75	20	31	59	77	87	59
85	11	17	38	54	66	41
90	7	18	33	50	61	
95	101	140	212	189	238	206
105	404	547	690	668	708	644
115	732	827	1071	1115	1164	975
125	1052	1088	1292	1424	1473	1129
135	1326	1339	1472	1574	1619	1131
145	1554	1556	1640	1696	1723	1023
155	1735	1727	1775	1803	1818	817
165	1862	1858	1872	1879	1886	528
175	1930	1929	1931	1928	1928	187
180	1939	1939	1939	1939	1939	



Coefficients of Utilization (%)

Ceiling: Wall:	80				70				50				0
	70	50	30	10	70	50	30	10	50	30	10	0	
0 RCR	79	79	79	79	68	68	68	48	48	48	6		
1	71	68	65	62	62	59	56	42	40	39	4		
2	65	59	54	50	56	51	47	36	34	32	3		
3	59	52	46	42	51	45	40	32	29	27	3		
4	54	46	39	35	46	39	34	28	25	22	2		
5	49	40	34	29	42	35	30	25	21	19	2		
6	45	36	30	25	39	31	26	22	19	16	2		
7	41	32	26	22	36	28	23	20	16	14	1		
8	38	29	23	19	33	25	20	18	15	12	1		
9	35	26	20	16	30	23	18	16	13	11	1		
10	33	24	18	14	28	21	16	15	12	9	1		

Based on a floor reflectance of 0.2

Avg. Luminance (cd/m²)

Vertical Angle	Horizontal Angle		
	0	45	90
55	412	525	594
65	309	497	585
75	315	474	581
85	514	451	599

IES files for this and other photometric options can be downloaded online at www.ledalite.com

Additional Information

Modules

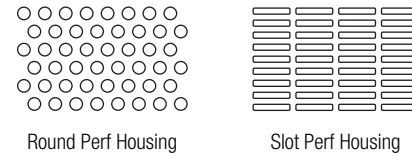
Module length excludes endcaps.
Nominal mount spacing for individually mounted modules.

Module	Mount Spacing
4ft	4' 0"
8ft	8' 0"
12ft	12' 0"

Endcap



Lower Optics



Specifications

Due to continuing product improvements, Ledalite reserves the right to change specifications without notice.

Housing

Die-formed 20 gauge cold-rolled steel.

Weight

3.0 lb/ft.

Optical System

Direct/Indirect: Constructed of 96% reflective white steel to produce a direct/indirect distribution. Baffles are white blades spaced 2-7/16" apart and are 3/4" deep (18 cells per 4ft section). Perforation of baffles and housing is optional. Perforated housing options include acrylic overlay. Optional field-installable Variable Optics kits provide additional downlight as required.

Semi-Indirect: Constructed of 96% reflective white steel with perforated housing and acrylic overlay to produce a semi-indirect distribution. Perforated housing available in round or slot perforation patterns.

Indirect: Constructed of 96% reflective white steel to produce an indirect distribution.

High performance options use additional highly-specular aluminum reflectors.

Endcaps

Die-cast endcap or optional die-cast sculptured endcap.

Joints

Self-aligning joining system with hands-free pre-joining wire access.

Mounting

Aircraft cable gripper is tamper-resistant and provides infinite vertical adjustment capability. Aircraft cable, crimp and cable gripper independently tested to meet stringent safety requirements.

Electrical

Factory pre-wired to section ends with quick-wire connectors.

Ballast

Electronic.

Approvals

Certified to UL and CSA standards.

Finish

High-quality powder coat. Available in Ledalite Standard White (textured matte finish), and a selection of other factory and customer-specified colors. Consult factory for details.