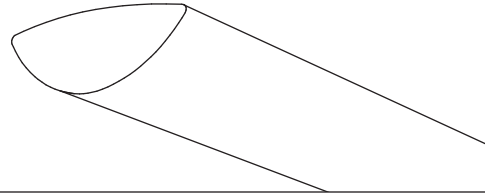


Suspended

Indirect

3 T8



Project Name

Spec Type

Notes

Order Guide

Some combinations of product options may not be available. Consult factory for assistance with your specification.


9503	T03			-		-		-	
Product Series & Type Centris Indirect	Lamping 3 T8	Lower Optics E Solid Housing	Upper Optics N None	Run Length <i>Enter the total run length in feet (4ft increments)</i>	Wiring 1 1 cct 2 2 cct 3 1 cct w/ Emergency cct 4 2 cct w/ Emergency cct 5 1 cct w/ Battery Pack 6 2 cct w/ Battery Pack 7 1 cct Dimming	Voltage 1 120V 2 277V 3 347V	Ballast E Standard Ballast Consult website for ballast manufacturer information	Color & Finish W Standard White C Factory Color X Custom Color Consult website for color and finish options	
		See details on reverse	See details on reverse	See details on reverse	Consult website for complete list of standard wiring options				

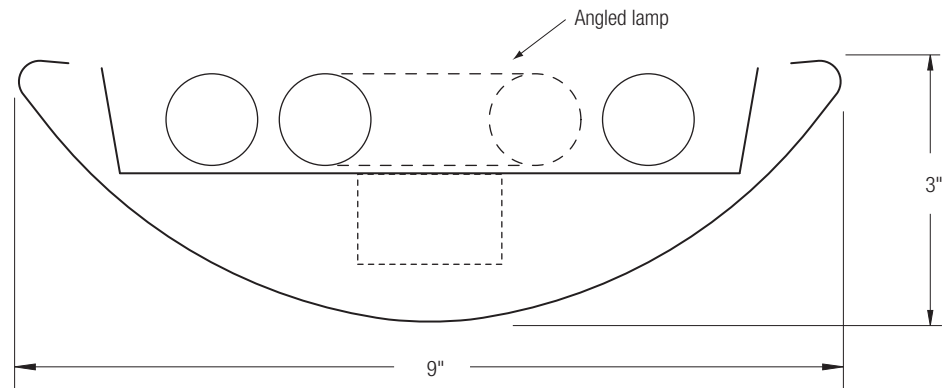
Mounting Hardware

<input type="text"/>	<input type="text"/>
Mount Type Consult separate mounting spec sheet for mount type options	Suspension Length <i>Enter distance from ceiling to top of fixture in inches</i>

Upgrades & Accessories

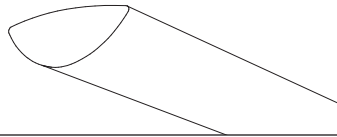
Please indicate with check mark.

<input type="checkbox"/> Lamps Included	<input type="checkbox"/> Lamps Included and Installed
<input type="checkbox"/> Sculptured Endcap See details on reverse	<input type="checkbox"/> Dust Cover 
<input type="checkbox"/> Response Daylight (Integrated Controls) For details visit www.ledalite.com/response	



Centris®

Suspended
Indirect
3 TB



Photometry Optics EN

Report Summary

Report # 2101587
 Filename 9503T03EN.ies
 Efficiency 85.7%

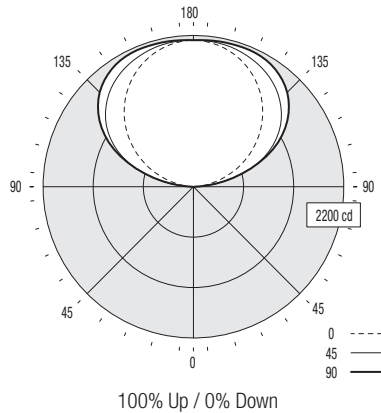
Peak Candela Value* 2151 @ 158°
 Peak to Zenith Ratio* 1 : 1

* Between 90-180° vertical angle

Meets RP-1-04 recommendations for VDT-Intensive spaces

Candela Distribution

Vertical Angle	Horizontal Angle					Zonal Lumens
	0	22.5	45	67.5	90	
0	0	0	0	0	0	
5	0	0	0	0	0	0
15	0	0	0	0	0	0
25	0	0	0	0	0	0
35	0	0	0	0	0	0
45	0	0	0	0	0	0
55	0	0	0	0	0	0
65	0	0	0	0	0	0
75	0	0	0	0	0	0
85	0	0	0	0	0	0
90	3	3	15	4	13	
95	93	128	202	152	193	191
105	413	632	751	695	734	696
115	776	1026	1220	1243	1281	1113
125	1119	1325	1555	1634	1678	1319
135	1430	1566	1784	1899	1940	1337
145	1692	1771	1942	2048	2086	1198
155	1899	1942	2041	2117	2146	937
165	2042	2060	2105	2135	2149	594
175	2119	2122	2130	2136	2138	206
180	2131	2131	2131	2131	2131	



Coefficients of Utilization (%)

Ceiling:	80				70				50				0
	70	50	30	10	70	50	30	10	50	30	10	0	
0 RCR	81	81	81	81	69	69	69	47	47	47	0		
1	74	70	67	65	63	60	58	41	40	38	0		
2	67	61	57	53	57	52	49	36	33	31	0		
3	61	54	48	43	52	46	41	31	29	26	0		
4	56	47	41	36	47	40	35	28	25	22	0		
5	51	42	35	31	43	36	31	24	21	19	0		
6	47	37	31	26	40	32	27	22	18	16	0		
7	43	33	27	23	36	28	23	20	16	14	0		
8	39	30	24	20	33	26	21	18	14	12	0		
9	37	27	21	17	31	23	18	16	13	10	0		
10	34	24	19	15	29	21	16	14	11	9	0		

Based on a floor reflectance of 0.2

Avg. Luminance (cd/m²)

Vertical Angle	Horizontal Angle		
	0	45	90
55	0	0	0
65	0	0	0
75	0	0	0
85	0	0	0

IES files for this and other photometric options can be downloaded online at www.ledalite.com

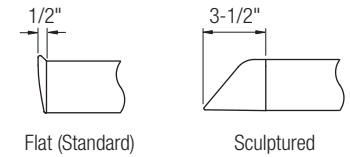
Additional Information

Modules

Module length excludes endcaps.
 Nominal mount spacing for individually mounted modules.

Module	Mount Spacing
4ft	4' 0"
8ft	8' 0"
12ft	12' 0"

Endcap



Specifications

Due to continuing product improvements, Ledalite reserves the right to change specifications without notice.

Housing

Die-formed 20 gauge cold-rolled steel.

Weight

3.0 lb/ft.

Optical System

Direct/Indirect: Constructed of 96% reflective white steel to produce a direct/indirect distribution. Baffles are white blades spaced 2-7/16" apart and are 3/4" deep (18 cells per 4ft section). Perforation of baffles and housing is optional. Perforated housing options include acrylic overlay. Optional field-installable Variable Optics kits provide additional downlight as required.

Semi-Indirect: Constructed of 96% reflective white steel with perforated housing and acrylic overlay to produce a semi-indirect distribution. Perforated housing available in round or slot perforation patterns.

Indirect: Constructed of 96% reflective white steel to produce an indirect distribution.

High performance options use additional highly-specular aluminum reflectors.

Endcaps

Die-cast endcap or optional die-cast sculptured endcap.

Joints

Self-aligning joining system with hands-free pre-joining wire access.

Mounting

Aircraft cable gripper is tamper-resistant and provides infinite vertical adjustment capability. Aircraft cable, crimp and cable gripper independently tested to meet stringent safety requirements.

Electrical

Factory pre-wired to section ends with quick-wire connectors.

Ballast

Electronic.

Approvals

Certified to UL and CSA standards.

Finish

High-quality powder coat. Available in Ledalite Standard White (textured matte finish), and a selection of other factory and customer-specified colors. Consult factory for details.