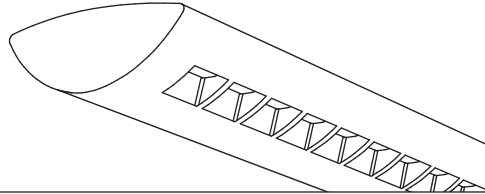


Centris®



Suspended
 Direct/Indirect
 3 T8 - Solid Housing



Project Name

Spec Type

Notes




Order Guide

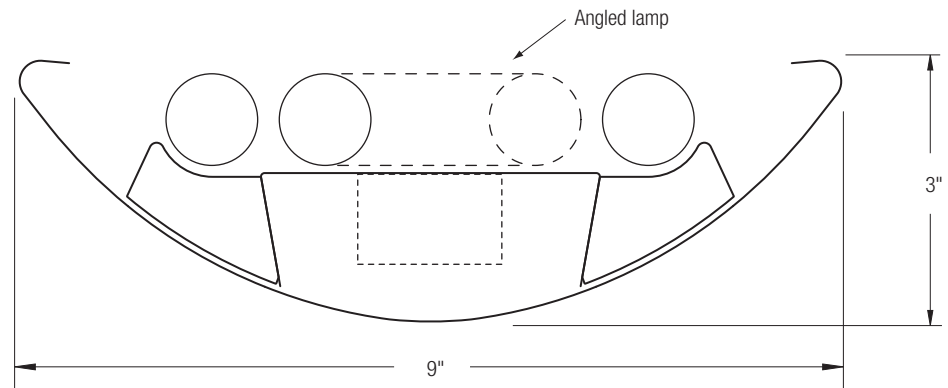
Some combinations of product options may not be available. Consult factory for assistance with your specification.

9506	T03			-		-		-		
Product Series & Type Centris Direct/Indirect	Lamping 3 T8	Lower Optics C Solid Baffle R Round Perf Baffle	Upper Optics N None D Down Kit Y Lamp Separator	Run Length <i>Enter the total run length in feet (4ft increments)</i>	Wiring 1 1 cct 2 2 cct 3 1 cct w/ Emergency cct 4 2 cct w/ Emergency cct 5 1 cct w/ Battery Pack 6 2 cct w/ Battery Pack 7 1 cct Dimming	Voltage 1 120V 2 277V 3 347V	Ballast E Standard Ballast Consult website for ballast manufacturer information	Color & Finish W Standard White C Factory Color X Custom Color Consult website for color and finish options		
<h3>Mounting Hardware</h3> <p><input type="text"/> <input type="text"/></p> <table border="1"> <tr> <td>Mount Type Consult separate mounting spec sheet for mount type options</td> <td>Suspension Length <i>Enter distance from ceiling to top of fixture in inches</i></td> </tr> </table>									Mount Type Consult separate mounting spec sheet for mount type options	Suspension Length <i>Enter distance from ceiling to top of fixture in inches</i>
Mount Type Consult separate mounting spec sheet for mount type options	Suspension Length <i>Enter distance from ceiling to top of fixture in inches</i>									

Upgrades & Accessories

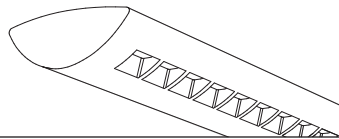
Please indicate with check mark.

<input type="checkbox"/> Lamps Included	<input type="checkbox"/> Lamps Included and Installed
<input type="checkbox"/> Sculptured Endcap See details on reverse	<input type="checkbox"/> Dust Cover 
<input type="checkbox"/> Response Daylight (Integrated Controls) For details visit www.ledalite.com/response	



Centris®

Suspended
Direct/Indirect
3 T8 - Solid Housing



Photometry Optics CD Solid Baffle w/ Down Kit

Report Summary

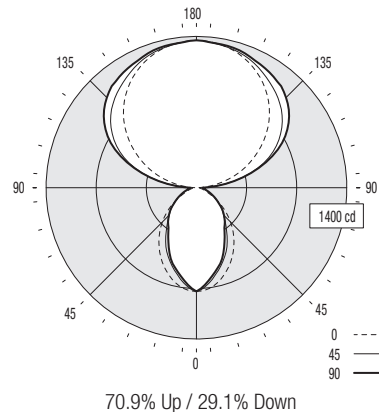
Report # 9900009
Filename 9506T03CD-RD.ies
Efficiency 75.6%

Peak Candela Value* 1364 @ 180°
Peak to Zenith Ratio* 1 : 1

* Between 90-180° vertical angle

Candela Distribution

Vertical Angle	Horizontal Angle					Zonal Lumens
	0	22.5	45	67.5	90	
0	960	960	960	960	960	
5	951	941	921	903	903	87
15	877	831	792	770	767	226
25	756	687	654	617	610	303
35	610	540	490	457	453	317
45	449	397	356	358	364	294
55	282	260	260	254	256	234
65	133	160	162	163	168	158
75	65	76	93	97	100	95
85	21	39	57	64	67	57
90	5	31	51	61	59	
95	87	145	188	197	193	189
105	312	431	519	530	527	499
115	547	654	787	827	836	730
125	767	842	971	1034	1048	839
135	962	1000	1098	1166	1180	837
145	1118	1138	1190	1240	1253	744
155	1236	1242	1272	1290	1297	586
165	1317	1313	1324	1335	1340	374
175	1358	1358	1354	1352	1353	130
180	1364	1364	1364	1364	1364	



Coefficients of Utilization (%)

Ceiling: Walk:	80				70				50				0
	70	50	30	10	70	50	30	10	50	30	10	0	
0 RCR	76	76	76	76	68	68	68	53	53	53	20		
1	70	67	64	61	62	59	57	46	45	43	16		
2	64	58	54	50	56	52	48	41	38	36	14		
3	58	51	46	42	52	46	41	36	33	30	12		
4	53	45	40	35	47	41	36	32	28	26	10		
5	49	40	34	30	43	36	31	28	25	22	9		
6	45	36	30	26	40	32	27	26	22	19	8		
7	41	32	27	23	37	29	24	23	20	17	7		
8	38	29	24	20	34	27	22	21	18	15	6		
9	36	27	21	18	32	24	19	19	16	13	6		
10	33	24	19	16	30	22	18	18	14	12	5		

Based on a floor reflectance of 0.2

Avg. Luminance (cd/m²)

Vertical Angle	Horizontal Angle		
	0	45	90
55	2004	1351	1197
65	1283	1007	910
75	1024	747	668
85	982	677	608

IES files for this and other photometric options can be downloaded online at www.ledalite.com

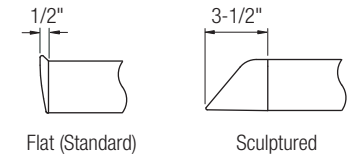
Additional Information

Modules

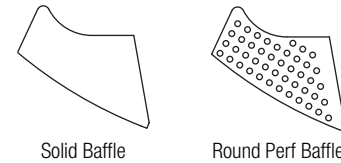
Module length excludes endcaps.
Nominal mount spacing for individually mounted modules.

Module	Mount Spacing
4ft	4' 0"
8ft	8' 0"
12ft	12' 0"

Endcap



Lower Optics



Upper Optics



Specifications

Due to continuing product improvements, Ledalite reserves the right to change specifications without notice.

Housing

Die-formed 20 gauge cold-rolled steel.

Weight

3.0 lb/ft.

Optical System

Direct/Indirect: Constructed of 96% reflective white steel to produce a direct/indirect distribution. Baffles are white blades spaced 2-7/16" apart and are 3/4" deep (18 cells per 4ft section). Perforation of baffles and housing is optional. Perforated housing options include acrylic overlay. Optional field-installable Variable Optics kits provide additional downlight as required.

Semi-Indirect: Constructed of 96% reflective white steel with perforated housing and acrylic overlay to produce a semi-indirect distribution. Perforated housing available in round or slot perforation patterns.

Indirect: Constructed of 96% reflective white steel to produce an indirect distribution.

High performance options use additional highly-specular aluminum reflectors.

Endcaps

Die-cast endcap or optional die-cast sculptured endcap.

Joints

Self-aligning joining system with hands-free pre-joining wire access.

Mounting

Aircraft cable gripper is tamper-resistant and provides infinite vertical adjustment capability. Aircraft cable, crimp and cable gripper independently tested to meet stringent safety requirements.

Electrical

Factory pre-wired to section ends with quick-wire connectors.

Ballast

Electronic.

Approvals

Certified to UL and CSA standards.

Finish

High-quality powder coat. Available in Ledalite Standard White (textured matte finish), and a selection of other factory and customer-specified colors. Consult factory for details.