

Centris®



Suspended
 Direct/Indirect
 3 T5HO - Perf Housing



Project Name

Spec Type

Notes



Order Guide

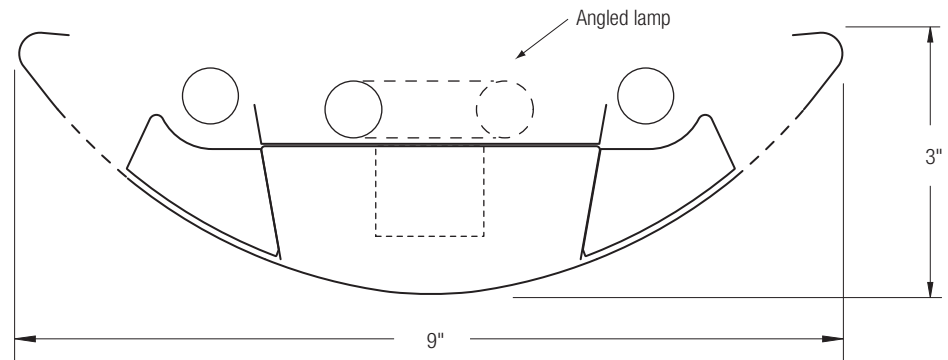
Some combinations of product options may not be available. Consult factory for assistance with your specification.

9506	H03			-		-		-		
Product Series & Type Centris Direct/Indirect	Lamping 3 T5HO	Lower Optics M Round Perf Housing / Solid Baffle T Round Perf Housing / Round Perf Baffle U Slot Perf Housing / Solid Baffle Z Slot Perf Housing / Round Perf Baffle See details on reverse	Upper Optics N None D Down Kit Y Lamp Separator See details on reverse	Run Length Enter the total run length in feet (4ft increments) See details on reverse	Wiring 1 1 cct 2 2 cct 3 1 cct w/ Emergency cct 4 2 cct w/ Emergency cct 5 1 cct w/ Battery Pack 6 2 cct w/ Battery Pack 7 1 cct Dimming Consult website for complete list of standard wiring options	Voltage 1 120V 2 277V 3 347V	Ballast E Standard Ballast Consult website for ballast manufacturer information	Color & Finish W Standard White C Factory Color X Custom Color Consult website for color and finish options		
									Mounting Hardware	
									<input type="text"/>	<input type="text"/>
									Mount Type Consult separate mounting spec sheet for mount type options	Suspension Length Enter distance from ceiling to top of fixture in inches

Upgrades & Accessories

Please indicate with check mark.

<input type="checkbox"/> Lamps Included	<input checked="" type="checkbox"/> Lamps Included and Installed
<input type="checkbox"/> Sculptured Endcap See details on reverse	
<input type="checkbox"/> Response Daylight (Integrated Controls) For details visit www.ledalite.com/response	



Centris®

Suspended
Direct/Indirect
3 T5HO - Perf Housing



Photometry Optics ZY Slot Perf Housing / Round Perf Baffle w/ Lamp Separator

Report Summary

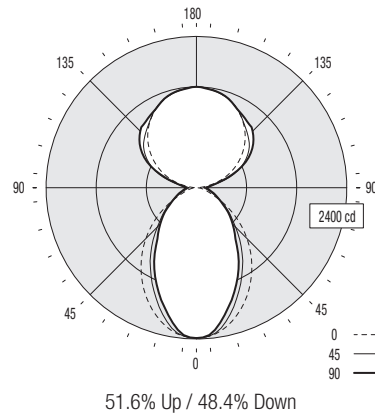
Report # 9900050
Filename 9506H03UY-ZY.ies
Efficiency 68.9%

Peak Candela Value* 1602 @ 180°
Peak to Zenith Ratio* 1 : 1

* Between 90-180° vertical angle

Candela Distribution

Vertical Angle	Horizontal Angle					Zonal Lumens
	0	22.5	45	67.5	90	
0	2386	2386	2386	2386	2386	225
5	2365	2367	2363	2344	2347	581
15	2194	2175	2081	1974	1965	778
25	1903	1808	1674	1575	1560	804
35	1542	1396	1270	1149	1125	711
45	1142	1004	882	816	818	552
55	721	652	602	569	571	365
65	324	376	367	362	378	224
75	144	174	221	241	255	139
85	41	85	140	167	180	183
90	6	65	114	144	155	452
95	73	125	170	196	203	737
105	343	438	464	430	413	886
115	621	685	791	811	803	905
125	874	888	1019	1079	1089	820
135	1100	1095	1164	1253	1268	663
145	1290	1282	1295	1335	1347	434
155	1439	1428	1445	1443	1438	154
165	1540	1530	1538	1544	1543	1602
175	1595	1593	1591	1587	1584	1602
180	1602	1602	1602	1602	1602	



Coefficients of Utilization (%)

Ceiling:	80					70					50					0				
	70	50	30	10	0	70	50	30	10	0	70	50	30	10	0	70	50	30	10	0
0 RCR	73	73	73	73	73	67	67	67	67	67	55	55	55	55	55	31				
1	66	64	61	59	59	61	58	56	49	47	46	46	46	46	26					
2	61	56	52	48	48	56	51	48	43	40	38	38	38	22						
3	56	49	44	41	41	51	45	41	38	35	32	32	32	19						
4	51	44	39	35	35	47	40	36	34	31	28	28	28	17						
5	47	39	34	30	30	43	36	32	31	27	24	24	24	15						
6	43	35	30	26	26	40	33	28	28	24	21	21	21	13						
7	40	32	27	23	23	37	30	25	25	22	19	19	19	12						
8	37	29	24	20	20	34	27	22	23	19	17	17	17	11						
9	35	27	22	18	18	32	25	20	21	18	15	15	15	10						
10	32	24	20	16	16	30	23	18	20	16	14	14	14	9						

Based on a floor reflectance of 0.2

Avg. Luminance (cd/m²)

Vertical Angle	Horizontal Angle		
	0	45	90
55	5123	3129	2671
65	3125	2281	2048
75	2268	1776	1704
85	1917	1662	1632

IES files for this and other photometric options can be downloaded online at www.ledalite.com

Additional Information

Modules

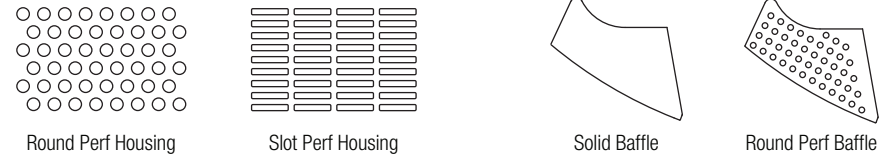
Module length excludes endcaps.
Nominal mount spacing for individually mounted modules.

Module	Mount Spacing
4ft	4' 0"
8ft	8' 0"
12ft	12' 0"

Endcap



Lower Optics



Upper Optics



Specifications

Due to continuing product improvements, Ledalite reserves the right to change specifications without notice.

Housing

Die-formed 20 gauge cold-rolled steel.

Weight

3.0 lb/ft.

Optical System

Direct/Indirect: Constructed of 96% reflective white steel to produce a direct/indirect distribution. Baffles are white blades spaced 2-7/16" apart and are 3/4" deep (18 cells per 4ft section). Perforation of baffles and housing is optional. Perforated housing options include acrylic overlay. Optional field-installable Variable Optics kits provide additional downlight as required.

Semi-Indirect: Constructed of 96% reflective white steel with perforated housing and acrylic overlay to produce a semi-indirect distribution. Perforated housing available in round or slot perforation patterns.

Indirect: Constructed of 96% reflective white steel to produce an indirect distribution.

High performance options use additional highly-specular aluminum reflectors.

Endcaps

Die-cast endcap or optional die-cast sculptured endcap.

Joints

Self-aligning joining system with hands-free pre-joining wire access.

Mounting

Aircraft cable gripper is tamper-resistant and provides infinite vertical adjustment capability. Aircraft cable, crimp and cable gripper independently tested to meet stringent safety requirements.

Electrical

Factory pre-wired to section ends with quick-wire connectors.

Ballast

Electronic.

Approvals

Certified to UL and CSA standards.

Finish

High-quality powder coat. Available in Ledalite Standard White (textured matte finish), and a selection of other factory and customer-specified colors. Consult factory for details.