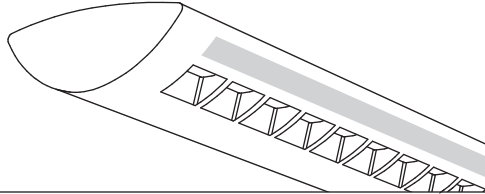


Centris®



Suspended
 Direct/Indirect
 3 T5HO - Perf Housing



Project Name

Spec Type

Notes



Order Guide

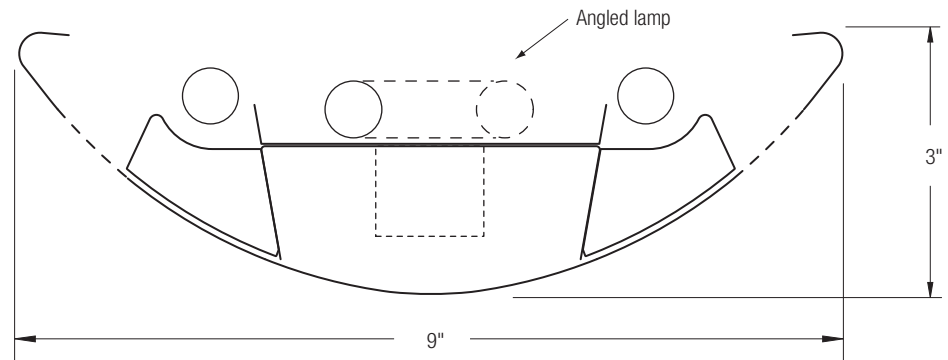
Some combinations of product options may not be available. Consult factory for assistance with your specification.

9506	H03			-		-		-		
Product Series & Type Centris Direct/Indirect	Lamping 3 T5HO	Lower Optics M Round Perf Housing / Solid Baffle T Round Perf Housing / Round Perf Baffle U Slot Perf Housing / Solid Baffle Z Slot Perf Housing / Round Perf Baffle See details on reverse	Upper Optics N None D Down Kit Y Lamp Separator See details on reverse	Run Length Enter the total run length in feet (4ft increments) See details on reverse	Wiring 1 1 cct 2 2 cct 3 1 cct w/ Emergency cct 4 2 cct w/ Emergency cct 5 1 cct w/ Battery Pack 6 2 cct w/ Battery Pack 7 1 cct Dimming Consult website for complete list of standard wiring options	Voltage 1 120V 2 277V 3 347V	Ballast E Standard Ballast Consult website for ballast manufacturer information	Color & Finish W Standard White C Factory Color X Custom Color Consult website for color and finish options		
									Mounting Hardware	
									<input type="text"/>	<input type="text"/>
									Mount Type Consult separate mounting spec sheet for mount type options	Suspension Length Enter distance from ceiling to top of fixture in inches

Upgrades & Accessories

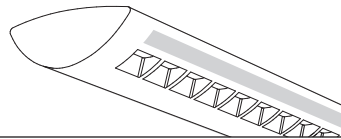
Please indicate with check mark.

<input type="checkbox"/> Lamps Included	<input checked="" type="checkbox"/> Lamps Included and Installed
<input type="checkbox"/> Sculptured Endcap See details on reverse	
<input type="checkbox"/> Response Daylight (Integrated Controls) For details visit www.ledalite.com/response	



Centris®

Suspended
Direct/Indirect
3 T5HO - Perf Housing



Photometry Optics ZN Slot Perf Housing / Round Perf Baffle

Report Summary

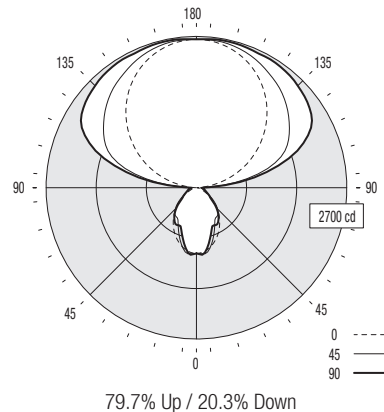
Report # 2101682
Filename 9506H03UN-ZN.ies
Efficiency 91%

Peak Candela Value* 2672 @ 170°
Peak to Zenith Ratio* 1 : 1

* Between 90-180° vertical angle

Candela Distribution

Vertical Angle	Horizontal Angle					Zonal Lumens
	0	22.5	45	67.5	90	
0	1173	1173	1173	1173	1173	
5	1160	1167	1184	1195	1202	113
15	1066	1103	1045	938	941	285
25	914	890	773	713	740	371
35	726	659	633	672	690	417
45	523	461	533	493	506	385
55	321	350	349	286	299	293
65	149	200	199	195	210	194
75	74	87	126	143	157	125
85	21	47	84	99	109	82
90	6	47	74	95	101	
95	112	310	454	381	516	419
105	543	927	1326	1382	1520	1216
115	996	1280	1800	2080	2211	1664
125	1409	1612	2033	2357	2479	1777
135	1789	1925	2236	2486	2573	1705
145	2115	2202	2389	2572	2633	1495
155	2368	2421	2523	2607	2642	1162
165	2543	2568	2615	2654	2670	739
175	2636	2638	2648	2660	2661	257
180	2649	2649	2649	2649	2649	



Coefficients of Utilization (%)

Ceiling: Walk:	80				70				50				0			
	70	50	30	10	70	50	30	10	50	30	10	0	70	50	30	10
0 RCR	90	90	90	90	79	79	79	59	59	59	16					
1	82	78	75	72	72	69	66	52	50	48	13					
2	75	68	63	59	66	60	56	45	42	40	11					
3	68	60	54	49	60	53	48	40	36	34	10					
4	62	53	46	41	55	47	41	35	32	29	8					
5	57	47	40	35	50	42	36	32	28	25	7					
6	52	42	35	30	46	37	32	28	24	21	6					
7	48	38	31	26	42	34	28	26	22	19	6					
8	45	34	28	23	39	30	25	23	19	16	5					
9	42	31	25	20	36	28	22	21	17	14	5					
10	39	28	22	18	34	25	20	19	15	13	4					

Based on a floor reflectance of 0.2

Avg. Luminance (cd/m²)

Vertical Angle	Horizontal Angle		
	0	45	90
55	2281	1814	1398
65	1437	1237	1138
75	1165	1013	1049
85	982	997	989

IES files for this and other photometric options can be downloaded online at www.ledalite.com

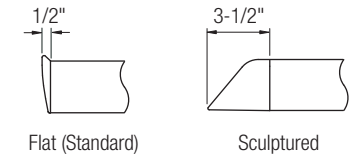
Additional Information

Modules

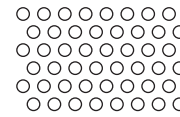
Module length excludes endcaps.
Nominal mount spacing for individually mounted modules.

Module	Mount Spacing
4ft	4' 0"
8ft	8' 0"
12ft	12' 0"

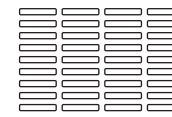
Endcap



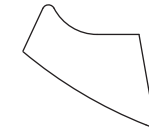
Lower Optics



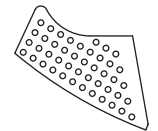
Round Perf Housing



Slot Perf Housing



Solid Baffle

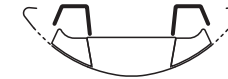


Round Perf Baffle

Upper Optics



D Down Kit



Y Lamp Separator

Specifications

Due to continuing product improvements, Ledalite reserves the right to change specifications without notice.

Housing

Die-formed 20 gauge cold-rolled steel.

Weight

3.0 lb/ft.

Optical System

Direct/Indirect: Constructed of 96% reflective white steel to produce a direct/indirect distribution. Baffles are white blades spaced 2-7/16" apart and are 3/4" deep (18 cells per 4ft section). Perforation of baffles and housing is optional. Perforated housing options include acrylic overlay. Optional field-installable Variable Optics kits provide additional downlight as required.

Semi-Indirect: Constructed of 96% reflective white steel with perforated housing and acrylic overlay to produce a semi-indirect distribution. Perforated housing available in round or slot perforation patterns.

Indirect: Constructed of 96% reflective white steel to produce an indirect distribution.

High performance options use additional highly-specular aluminum reflectors.

Endcaps

Die-cast endcap or optional die-cast sculptured endcap.

Joints

Self-aligning joining system with hands-free pre-joining wire access.

Mounting

Aircraft cable gripper is tamper-resistant and provides infinite vertical adjustment capability. Aircraft cable, crimp and cable gripper independently tested to meet stringent safety requirements.

Electrical

Factory pre-wired to section ends with quick-wire connectors.

Ballast

Electronic.

Approvals

Certified to UL and CSA standards.

Finish

High-quality powder coat. Available in Ledalite Standard White (textured matte finish), and a selection of other factory and customer-specified colors. Consult factory for details.