

# Centris®



Suspended  
 Direct/Indirect  
 3 T5HO - Perf Housing



Project Name

Spec Type

Notes



## Order Guide

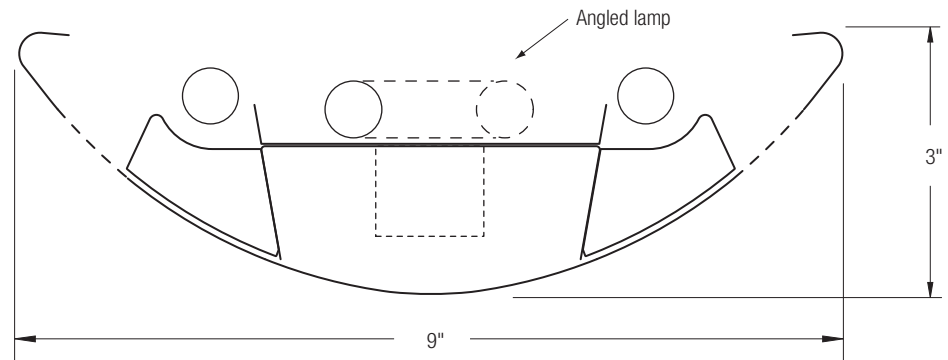
Some combinations of product options may not be available. Consult factory for assistance with your specification.

<b>9506</b>	<b>H03</b>			-		-		-	
Product Series & Type Centris Direct/Indirect	Lamping 3 T5HO	Lower Optics <b>M</b> Round Perf Housing / Solid Baffle <b>T</b> Round Perf Housing / Round Perf Baffle <b>U</b> Slot Perf Housing / Solid Baffle <b>Z</b> Slot Perf Housing / Round Perf Baffle  See details on reverse	Upper Optics <b>N</b> None <b>D</b> Down Kit <b>Y</b> Lamp Separator  See details on reverse	Run Length <i>Enter the total run length in feet (4ft increments)</i>  See details on reverse	Wiring <b>1</b> 1 cct <b>2</b> 2 cct <b>3</b> 1 cct w/ Emergency cct <b>4</b> 2 cct w/ Emergency cct <b>5</b> 1 cct w/ Battery Pack <b>6</b> 2 cct w/ Battery Pack <b>7</b> 1 cct Dimming  Consult website for complete list of standard wiring options	Voltage <b>1</b> 120V <b>2</b> 277V <b>3</b> 347V	Ballast <b>E</b> Standard Ballast  Consult website for ballast manufacturer information	Color & Finish <b>W</b> Standard White <b>C</b> Factory Color <b>X</b> Custom Color  Consult website for color and finish options	
<b>Mounting Hardware</b>									
					<input type="text"/>		<input type="text"/>		
Mount Type						Suspension Length			
Consult separate mounting spec sheet for mount type options						<i>Enter distance from ceiling to top of fixture in inches</i>			

## Upgrades & Accessories

Please indicate with check mark.

<input type="checkbox"/> Lamps Included	<input checked="" type="checkbox"/> Lamps Included and Installed
<input type="checkbox"/> Sculptured Endcap See details on reverse	
<input type="checkbox"/> Response Daylight (Integrated Controls) For details visit <a href="http://www.ledalite.com/response">www.ledalite.com/response</a>	



# Centris®

Suspended  
Direct/Indirect  
3 T5HO - Perf Housing



## Photometry Optics UD Slot Perf Housing / Solid Baffle w/ Down Kit

### Report Summary

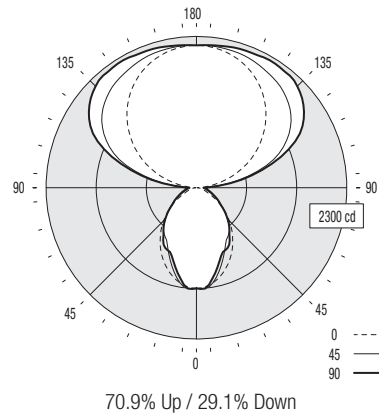
Report # 9900017  
Filename 9506H03UD-ZD.ies  
Efficiency 83.6%

Peak Candela Value\* 2239 @ 150°  
Peak to Zenith Ratio\* 1 : 1

\* Between 90-180° vertical angle

### Candela Distribution

Vertical Angle	Horizontal Angle					Zonal Lumens
	0	22.5	45	67.5	90	
0	1531	1531	1531	1531	1531	146
5	1513	1524	1534	1533	1539	372
15	1397	1418	1324	1249	1248	499
25	1206	1159	1030	1012	1047	551
35	966	879	862	873	878	513
45	711	636	670	657	674	412
55	445	469	470	442	453	283
65	207	286	285	295	312	176
75	104	135	174	193	208	113
85	33	69	111	134	147	1346
90	10	56	99	130	132	1504
95	107	249	328	343	345	1460
105	457	752	965	998	1036	1267
115	847	1115	1468	1635	1668	971
125	1194	1406	1768	1965	2009	610
135	1503	1649	1942	2139	2182	210
145	1761	1852	2042	2192	2232	
155	1957	2006	2111	2190	2221	
165	2087	2109	2153	2192	2208	
175	2155	2159	2168	2174	2176	
180	2165	2165	2165	2165	2165	



### Coefficients of Utilization (%)

Ceiling: Wall:	80				70				50				0			
	70	50	30	10	70	50	30	10	50	30	10	0	70	50	30	10
0 RCR	85	85	85	85	75	75	75	58	58	58	21					
1	77	73	70	67	68	66	63	51	49	47	18					
2	70	64	59	55	62	57	53	45	42	39	15					
3	64	56	51	46	57	51	46	39	36	33	13					
4	58	50	44	39	52	45	39	35	31	28	11					
5	54	44	38	33	48	40	34	31	27	24	10					
6	49	40	33	29	44	36	30	28	24	21	9					
7	46	36	29	25	40	32	27	25	21	19	8					
8	42	32	26	22	38	29	24	23	19	16	7					
9	39	29	23	19	35	27	21	21	17	15	6					
10	36	27	21	17	33	24	19	19	16	13	6					

Based on a floor reflectance of 0.2

### Avg. Luminance (cd/m<sup>2</sup>)

Vertical Angle	Horizontal Angle		
	0	45	90
55	3162	2443	2119
65	1996	1772	1691
75	1638	1398	1390
85	1543	1318	1333

IES files for this and other photometric options can be downloaded online at [www.ledalite.com](http://www.ledalite.com)

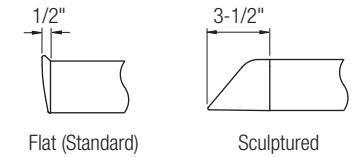
## Additional Information

### Modules

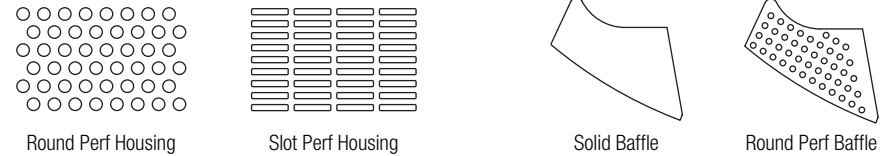
Module length excludes endcaps.  
Nominal mount spacing for individually mounted modules.

Module	Mount Spacing
4ft	4' 0"
8ft	8' 0"
12ft	12' 0"

### Endcap



### Lower Optics



### Upper Optics



## Specifications

Due to continuing product improvements, Ledalite reserves the right to change specifications without notice.

### Housing

Die-formed 20 gauge cold-rolled steel.

### Weight

3.0 lb/ft.

### Optical System

Direct/Indirect: Constructed of 96% reflective white steel to produce a direct/indirect distribution. Baffles are white blades spaced 2-7/16" apart and are 3/4" deep (18 cells per 4ft section). Perforation of baffles and housing is optional. Perforated housing options include acrylic overlay. Optional field-installable Variable Optics kits provide additional downlight as required.

Semi-Indirect: Constructed of 96% reflective white steel with perforated housing and acrylic overlay to produce a semi-indirect distribution. Perforated housing available in round or slot perforation patterns.

Indirect: Constructed of 96% reflective white steel to produce an indirect distribution.

High performance options use additional highly-specular aluminum reflectors.

### Endcaps

Die-cast endcap or optional die-cast sculptured endcap.

### Joints

Self-aligning joining system with hands-free pre-joining wire access.

### Mounting

Aircraft cable gripper is tamper-resistant and provides infinite vertical adjustment capability. Aircraft cable, crimp and cable gripper independently tested to meet stringent safety requirements.

### Electrical

Factory pre-wired to section ends with quick-wire connectors.

### Ballast

Electronic.

### Approvals

Certified to UL and CSA standards.

### Finish

High-quality powder coat. Available in Ledalite Standard White (textured matte finish), and a selection of other factory and customer-specified colors. Consult factory for details.