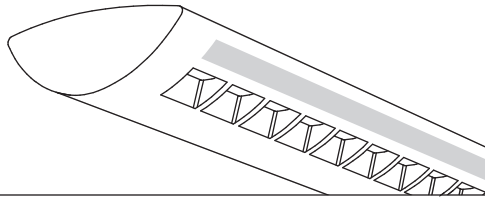


Suspended  
 Direct/Indirect  
 3 T5HO - Perf Housing



Project Name

Spec Type

Notes



## Order Guide

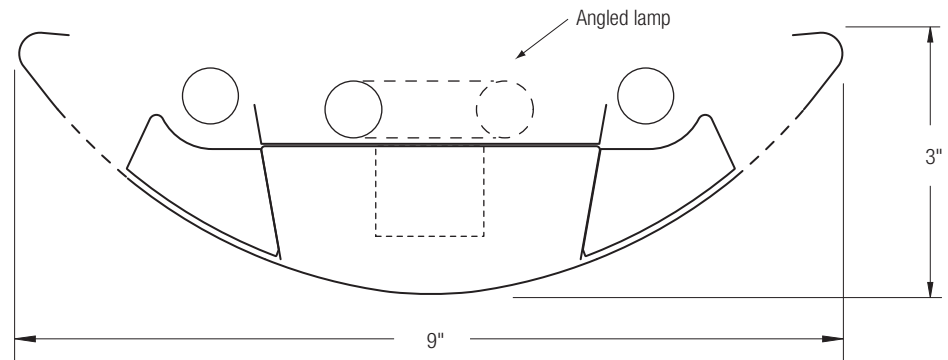
Some combinations of product options may not be available. Consult factory for assistance with your specification.

|   |   |  |   |  |  |  |  |  |  |   |                      |   |   |
|---|---|--|---|--|--|--|--|--|--|---|----------------------|---|---|
| <b>9506</b>   | <b>H03</b>  | <input type="text"/>   | <input type="text"/>  | -  | <input type="text"/>   | -  | <input type="text"/>   | -  | <input type="text"/>   | - | <input type="text"/> |   |   |
| Product Series & Type<br>Centris Direct/Indirect                              | Lamping<br>3 T5HO   | Lower Optics<br><b>M</b> Round Perf Housing / Solid Baffle<br><b>T</b> Round Perf Housing / Round Perf Baffle<br><b>U</b> Slot Perf Housing / Solid Baffle<br><b>Z</b> Slot Perf Housing / Round Perf Baffle<br><br>See details on reverse | Upper Optics<br><b>N</b> None<br><b>D</b> Down Kit<br><b>Y</b> Lamp Separator<br><br>See details on reverse | Run Length<br><i>Enter the total run length in feet (4ft increments)</i><br><br>See details on reverse | Wiring<br><b>1</b> 1 cct<br><b>2</b> 2 cct<br><b>3</b> 1 cct w/ Emergency cct<br><b>4</b> 2 cct w/ Emergency cct<br><b>5</b> 1 cct w/ Battery Pack<br><b>6</b> 2 cct w/ Battery Pack<br><b>7</b> 1 cct Dimming<br><br>Consult website for complete list of standard wiring options | Voltage<br><b>1</b> 120V<br><b>2</b> 277V<br><b>3</b> 347V | Ballast<br><b>E</b> Standard Ballast<br><br>Consult website for ballast manufacturer information | Color & Finish<br><b>W</b> Standard White<br><b>C</b> Factory Color<br><b>X</b> Custom Color<br><br>Consult website for color and finish options | <h3>Mounting Hardware</h3> <div style="display: flex; justify-content: space-between;"> <input type="text"/> <input type="text"/> </div> <table border="1"> <tr> <td>Mount Type<br/><br/>Consult separate mounting spec sheet for mount type options</td> <td>Suspension Length<br/><i>Enter distance from ceiling to top of fixture in inches</i></td> </tr> </table> |   |                      | Mount Type<br><br>Consult separate mounting spec sheet for mount type options | Suspension Length<br><i>Enter distance from ceiling to top of fixture in inches</i> |
| Mount Type<br><br>Consult separate mounting spec sheet for mount type options | Suspension Length<br><i>Enter distance from ceiling to top of fixture in inches</i> |  |   |  |  |  |  |  |  |   |                      |   |   |

## Upgrades & Accessories

Please indicate with check mark.

|  |  |
|--|--|
| <input type="checkbox"/> Lamps Included  | <input checked="" type="checkbox"/> Lamps Included and Installed |
| <input type="checkbox"/> Sculptured Endcap<br>See details on reverse   |  |
| <input type="checkbox"/> Response Daylight (Integrated Controls)<br>For details visit <a href="http://www.ledalite.com/response">www.ledalite.com/response</a> |  |



# Centris®

Suspended  
Direct/Indirect  
3 T5HO - Perf Housing



## Photometry Optics TN Round Perf Housing / Round Perf Baffle

### Report Summary

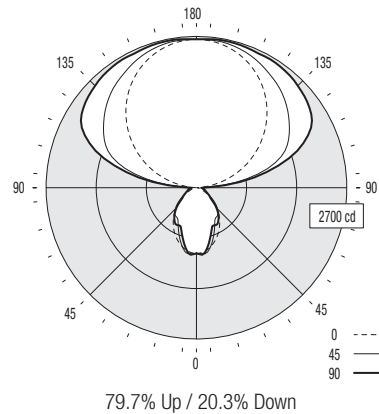
**Report #** 2101682  
**Filename** 9506H03MN-TN.ies  
**Efficiency** 91%

**Peak Candela Value\*** 2672 @ 170°  
**Peak to Zenith Ratio\*** 1 : 1

\* Between 90-180° vertical angle

### Candela Distribution

| Vertical Angle | Horizontal Angle |      |      |      |      | Zonal Lumens |
|----------------|------------------|------|------|------|------|--------------|
|                | 0                | 22.5 | 45   | 67.5 | 90   |              |
| 0              | 1173             | 1173 | 1173 | 1173 | 1173 |              |
| 5              | 1160             | 1167 | 1184 | 1195 | 1202 | 113          |
| 15             | 1066             | 1103 | 1045 | 938  | 941  | 285          |
| 25             | 914              | 890  | 773  | 713  | 740  | 371          |
| 35             | 726              | 659  | 633  | 672  | 690  | 417          |
| 45             | 523              | 461  | 533  | 493  | 506  | 385          |
| 55             | 321              | 350  | 349  | 286  | 299  | 293          |
| 65             | 149              | 200  | 199  | 195  | 210  | 194          |
| 75             | 74               | 87   | 126  | 143  | 157  | 125          |
| 85             | 21               | 47   | 84   | 99   | 109  | 82           |
| 90             | 6                | 47   | 74   | 95   | 101  |              |
| 95             | 112              | 310  | 454  | 381  | 516  | 419          |
| 105            | 543              | 927  | 1326 | 1382 | 1520 | 1216         |
| 115            | 996              | 1280 | 1800 | 2080 | 2211 | 1664         |
| 125            | 1409             | 1612 | 2033 | 2357 | 2479 | 1777         |
| 135            | 1789             | 1925 | 2236 | 2486 | 2573 | 1705         |
| 145            | 2115             | 2202 | 2389 | 2572 | 2633 | 1495         |
| 155            | 2368             | 2421 | 2523 | 2607 | 2642 | 1162         |
| 165            | 2543             | 2568 | 2615 | 2654 | 2670 | 739          |
| 175            | 2636             | 2638 | 2648 | 2660 | 2661 | 257          |
| 180            | 2649             | 2649 | 2649 | 2649 | 2649 |              |



### Coefficients of Utilization (%)

| Ceiling: | 80 |    |    |    | 70 |    |    |    | 50 |    |    |    | 0 |
|----------|----|----|----|----|----|----|----|----|----|----|----|----|---|
|          | 70 | 50 | 30 | 10 | 70 | 50 | 30 | 10 | 70 | 50 | 30 | 10 |   |
| 0 RCR    | 90 | 90 | 90 | 90 | 79 | 79 | 79 | 59 | 59 | 59 | 16 |    |   |
| 1        | 82 | 78 | 75 | 72 | 72 | 69 | 66 | 52 | 50 | 48 | 13 |    |   |
| 2        | 75 | 68 | 63 | 59 | 66 | 60 | 56 | 45 | 42 | 40 | 11 |    |   |
| 3        | 68 | 60 | 54 | 49 | 60 | 53 | 48 | 40 | 36 | 34 | 10 |    |   |
| 4        | 62 | 53 | 46 | 41 | 55 | 47 | 41 | 35 | 32 | 29 | 8  |    |   |
| 5        | 57 | 47 | 40 | 35 | 50 | 42 | 36 | 32 | 28 | 25 | 7  |    |   |
| 6        | 52 | 42 | 35 | 30 | 46 | 37 | 32 | 28 | 24 | 21 | 6  |    |   |
| 7        | 48 | 38 | 31 | 26 | 42 | 34 | 28 | 26 | 22 | 19 | 6  |    |   |
| 8        | 45 | 34 | 28 | 23 | 39 | 30 | 25 | 23 | 19 | 16 | 5  |    |   |
| 9        | 42 | 31 | 25 | 20 | 36 | 28 | 22 | 21 | 17 | 14 | 5  |    |   |
| 10       | 39 | 28 | 22 | 18 | 34 | 25 | 20 | 19 | 15 | 13 | 4  |    |   |

Based on a floor reflectance of 0.2

### Avg. Luminance (cd/m²)

| Vertical Angle | Horizontal Angle |      |      |
|----------------|------------------|------|------|
|                | 0                | 45   | 90   |
| 55             | 2281             | 1814 | 1398 |
| 65             | 1437             | 1237 | 1138 |
| 75             | 1165             | 1013 | 1049 |
| 85             | 982              | 997  | 989  |

IES files for this and other photometric options can be downloaded online at [www.ledalite.com](http://www.ledalite.com)

## Additional Information

### Modules

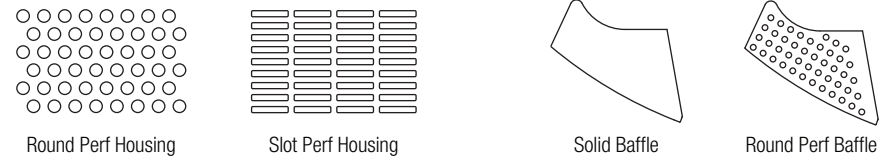
Module length excludes endcaps.  
Nominal mount spacing for individually mounted modules.

| Module | Mount Spacing |
|--------|---------------|
| 4ft    | 4' 0"         |
| 8ft    | 8' 0"         |
| 12ft   | 12' 0"        |

### Endcap



### Lower Optics



### Upper Optics



## Specifications

Due to continuing product improvements, Ledalite reserves the right to change specifications without notice.

### Housing

Die-formed 20 gauge cold-rolled steel.

### Weight

3.0 lb/ft.

### Optical System

Direct/Indirect: Constructed of 96% reflective white steel to produce a direct/indirect distribution. Baffles are white blades spaced 2-7/16" apart and are 3/4" deep (18 cells per 4ft section). Perforation of baffles and housing is optional. Perforated housing options include acrylic overlay. Optional field-installable Variable Optics kits provide additional downlight as required.

Semi-Indirect: Constructed of 96% reflective white steel with perforated housing and acrylic overlay to produce a semi-indirect distribution. Perforated housing available in round or slot perforation patterns.

Indirect: Constructed of 96% reflective white steel to produce an indirect distribution.

High performance options use additional highly-specular aluminum reflectors.

### Endcaps

Die-cast endcap or optional die-cast sculptured endcap.

### Joints

Self-aligning joining system with hands-free pre-joining wire access.

### Mounting

Aircraft cable gripper is tamper-resistant and provides infinite vertical adjustment capability. Aircraft cable, crimp and cable gripper independently tested to meet stringent safety requirements.

### Electrical

Factory pre-wired to section ends with quick-wire connectors.

### Ballast

Electronic.

### Approvals

Certified to UL and CSA standards.

### Finish

High-quality powder coat. Available in Ledalite Standard White (textured matte finish), and a selection of other factory and customer-specified colors. Consult factory for details.