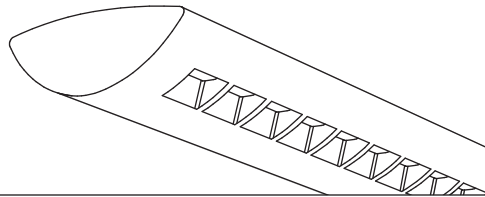


Suspended
 Direct/Indirect
 3 T5HO - Solid Housing



Project Name

Spec Type

Notes



Order Guide

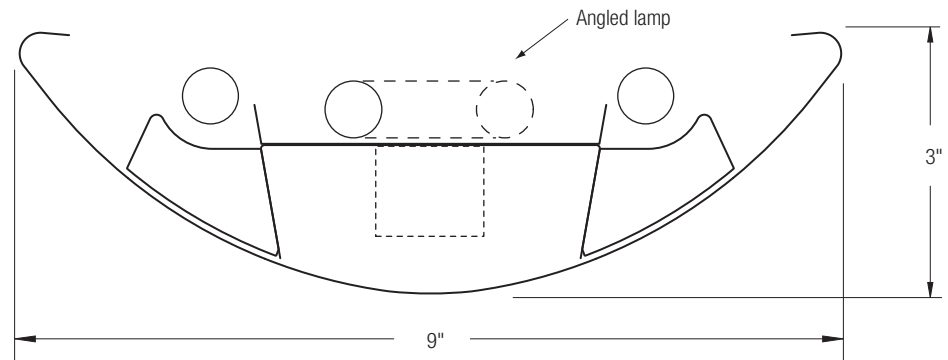
Some combinations of product options may not be available. Consult factory for assistance with your specification.

| | | | | | | | | | | |
|--|-------------------|---|---|--|--|--|--|--|----------------------|----------------------|
| 9506 | H03 | <input type="text"/> | <input type="text"/> | - | <input type="text"/> | - | <input type="text"/> | - | <input type="text"/> | <input type="text"/> |
| Product Series & Type Centris Direct/Indirect | Lamping 3 T5HO | Lower Optics C Solid Baffle R Round Perf Baffle | Upper Optics N None D Down Kit Y Lamp Separator | Run Length <i>Enter the total run length in feet (4ft increments)</i> | Wiring 1 1 cct 2 2 cct 3 1 cct w/ Emergency cct 4 2 cct w/ Emergency cct 5 1 cct w/ Battery Pack 6 2 cct w/ Battery Pack 7 1 cct Dimming | Voltage 1 120V 2 277V 3 347V | Ballast E Standard Ballast Consult website for ballast manufacturer information | Color & Finish W Standard White C Factory Color X Custom Color Consult website for color and finish options | | |
| Mounting Hardware | | | | | | | | | | |
| | | | | | <input type="text"/> | | <input type="text"/> | | | |
| | | | | | Mount Type Consult separate mounting spec sheet for mount type options | | Suspension Length <i>Enter distance from ceiling to top of fixture in inches</i> | | | |
| | | See details on reverse | See details on reverse | See details on reverse | Consult website for complete list of standard wiring options | | | | | |

Upgrades & Accessories

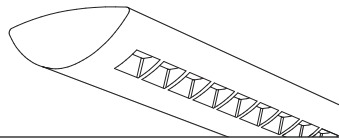
Please indicate with check mark.

| | |
|--|--|
| <input type="checkbox"/> Lamps Included | <input checked="" type="checkbox"/> Lamps Included and Installed |
| <input type="checkbox"/> Sculptured Endcap See details on reverse | |
| <input type="checkbox"/> Response Daylight (Integrated Controls) For details visit www.ledalite.com/response | |



Centris®

Suspended
Direct/Indirect
3 T5HO - Solid Housing



Photometry Optics RY Round Perf Baffle w/ Lamp Separator

Report Summary

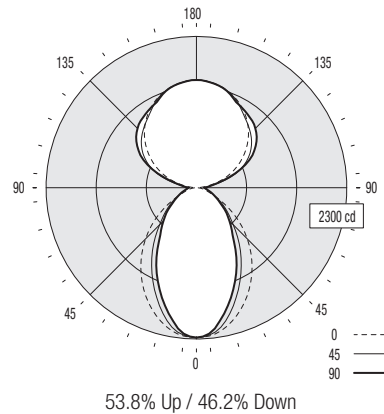
Report # 9900022
Filename 9506H03CY-RY.ies
Efficiency 66.8%

Peak Candela Value* 1637 @ 178°
Peak to Zenith Ratio* 1 : 1

* Between 90-180° vertical angle

Candela Distribution

| Vertical Angle | Horizontal Angle | | | | | Zonal Lumens |
|----------------|------------------|------|------|------|------|--------------|
| | 0 | 22.5 | 45 | 67.5 | 90 | |
| 0 | 2279 | 2279 | 2279 | 2279 | 2279 | |
| 5 | 2264 | 2259 | 2250 | 2235 | 2229 | 214 |
| 15 | 2103 | 2070 | 1979 | 1892 | 1857 | 554 |
| 25 | 1826 | 1722 | 1573 | 1475 | 1438 | 733 |
| 35 | 1484 | 1329 | 1174 | 1053 | 1001 | 749 |
| 45 | 1102 | 947 | 796 | 727 | 713 | 652 |
| 55 | 696 | 605 | 533 | 495 | 483 | 499 |
| 65 | 324 | 348 | 323 | 314 | 316 | 328 |
| 75 | 144 | 164 | 193 | 203 | 206 | 199 |
| 85 | 44 | 83 | 122 | 137 | 141 | 120 |
| 90 | 9 | 63 | 104 | 122 | 127 | |
| 95 | 76 | 130 | 162 | 174 | 183 | 175 |
| 105 | 350 | 446 | 466 | 421 | 419 | 455 |
| 115 | 635 | 687 | 797 | 812 | 825 | 745 |
| 125 | 894 | 890 | 1018 | 1086 | 1106 | 891 |
| 135 | 1126 | 1102 | 1171 | 1252 | 1274 | 911 |
| 145 | 1319 | 1306 | 1296 | 1346 | 1363 | 829 |
| 155 | 1471 | 1463 | 1458 | 1434 | 1436 | 670 |
| 165 | 1575 | 1570 | 1570 | 1568 | 1570 | 442 |
| 175 | 1630 | 1631 | 1631 | 1626 | 1627 | 157 |
| 180 | 1637 | 1637 | 1637 | 1637 | 1637 | |



Coefficients of Utilization (%)

| Ceiling: | 80 | | | | 70 | | | | 50 | | | | 0 |
|----------|----|----|----|----|----|----|----|----|----|----|----|---|---|
| | 70 | 50 | 30 | 10 | 70 | 50 | 30 | 10 | 50 | 30 | 10 | 0 | |
| 0 RCR | 70 | 70 | 70 | 70 | 64 | 64 | 64 | 53 | 53 | 53 | 29 | | |
| 1 | 64 | 61 | 59 | 57 | 59 | 56 | 54 | 46 | 45 | 44 | 24 | | |
| 2 | 59 | 54 | 50 | 47 | 53 | 49 | 46 | 41 | 39 | 37 | 21 | | |
| 3 | 54 | 48 | 43 | 39 | 49 | 44 | 40 | 37 | 34 | 31 | 18 | | |
| 4 | 49 | 42 | 37 | 33 | 45 | 39 | 35 | 33 | 29 | 27 | 16 | | |
| 5 | 45 | 38 | 33 | 29 | 41 | 35 | 30 | 29 | 26 | 23 | 14 | | |
| 6 | 42 | 34 | 29 | 25 | 38 | 32 | 27 | 27 | 23 | 20 | 12 | | |
| 7 | 39 | 31 | 26 | 22 | 35 | 29 | 24 | 24 | 21 | 18 | 11 | | |
| 8 | 36 | 28 | 23 | 20 | 33 | 26 | 22 | 22 | 19 | 16 | 10 | | |
| 9 | 34 | 26 | 21 | 18 | 31 | 24 | 20 | 20 | 17 | 15 | 9 | | |
| 10 | 31 | 24 | 19 | 16 | 29 | 22 | 18 | 19 | 15 | 13 | 8 | | |

Based on a floor reflectance of 0.2

Avg. Luminance (cd/m²)

| Vertical Angle | Horizontal Angle | | |
|----------------|------------------|------|------|
| | 0 | 45 | 90 |
| 55 | 4946 | 2770 | 2259 |
| 65 | 3125 | 2008 | 1712 |
| 75 | 2268 | 1551 | 1376 |
| 85 | 2058 | 1448 | 1279 |

IES files for this and other photometric options can be downloaded online at www.ledalite.com

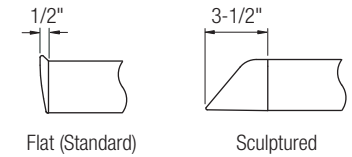
Additional Information

Modules

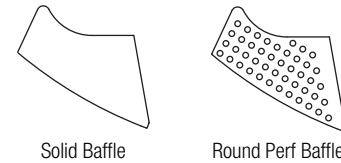
Module length excludes endcaps.
Nominal mount spacing for individually mounted modules.

| Module | Mount Spacing |
|--------|---------------|
| 4ft | 4' 0" |
| 8ft | 8' 0" |
| 12ft | 12' 0" |

Endcap



Lower Optics



Upper Optics



Specifications

Due to continuing product improvements, Ledalite reserves the right to change specifications without notice.

Housing

Die-formed 20 gauge cold-rolled steel.

Weight

3.0 lb/ft.

Optical System

Direct/Indirect: Constructed of 96% reflective white steel to produce a direct/indirect distribution. Baffles are white blades spaced 2-7/16" apart and are 3/4" deep (18 cells per 4ft section). Perforation of baffles and housing is optional. Perforated housing options include acrylic overlay. Optional field-installable Variable Optics kits provide additional downlight as required.

Semi-Indirect: Constructed of 96% reflective white steel with perforated housing and acrylic overlay to produce a semi-indirect distribution. Perforated housing available in round or slot perforation patterns.

Indirect: Constructed of 96% reflective white steel to produce an indirect distribution.

High performance options use additional highly-specular aluminum reflectors.

Endcaps

Die-cast endcap or optional die-cast sculptured endcap.

Joints

Self-aligning joining system with hands-free pre-joining wire access.

Mounting

Aircraft cable gripper is tamper-resistant and provides infinite vertical adjustment capability. Aircraft cable, crimp and cable gripper independently tested to meet stringent safety requirements.

Electrical

Factory pre-wired to section ends with quick-wire connectors.

Ballast

Electronic.

Approvals

Certified to UL and CSA standards.

Finish

High-quality powder coat. Available in Ledalite Standard White (textured matte finish), and a selection of other factory and customer-specified colors. Consult factory for details.