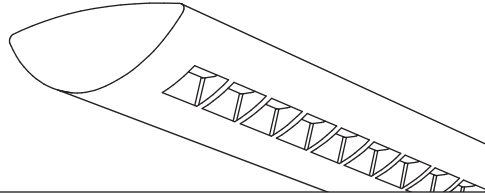


Centris®



Suspended
 Direct/Indirect
 3 T5HO - Solid Housing



Project Name

Spec Type

Notes



Order Guide

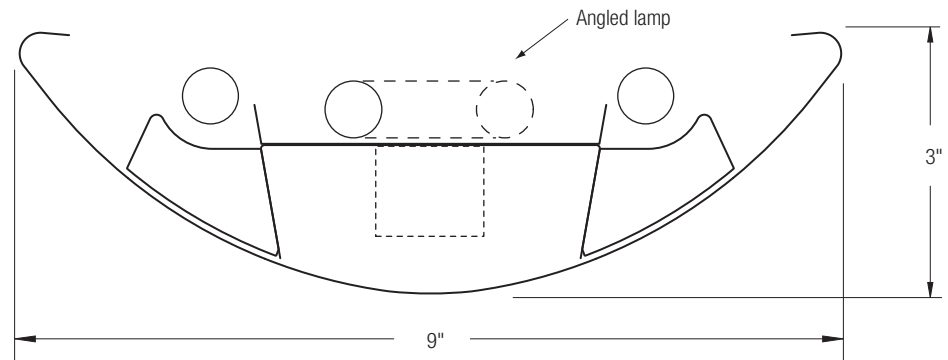
Some combinations of product options may not be available. Consult factory for assistance with your specification.

9506	H03	<input type="text"/>	<input type="text"/>	-	<input type="text"/>	-	<input type="text"/>	-	<input type="text"/>	-	<input type="text"/>
Product Series & Type Centris Direct/Indirect	Lamping 3 T5HO	Lower Optics C Solid Baffle R Round Perf Baffle	Upper Optics N None D Down Kit Y Lamp Separator	Run Length <i>Enter the total run length in feet (4ft increments)</i>	Wiring 1 1 cct 2 2 cct 3 1 cct w/ Emergency cct 4 2 cct w/ Emergency cct 5 1 cct w/ Battery Pack 6 2 cct w/ Battery Pack 7 1 cct Dimming	Voltage 1 120V 2 277V 3 347V	Ballast E Standard Ballast Consult website for ballast manufacturer information	Color & Finish W Standard White C Factory Color X Custom Color Consult website for color and finish options			
Mounting Hardware											
<input type="text"/>						<input type="text"/>					
Mount Type Consult separate mounting spec sheet for mount type options						Suspension Length <i>Enter distance from ceiling to top of fixture in inches</i>					

Upgrades & Accessories

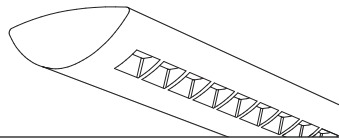
Please indicate with check mark.

<input type="checkbox"/> Lamps Included	<input checked="" type="checkbox"/> Lamps Included and Installed
<input type="checkbox"/> Sculptured Endcap See details on reverse	
<input type="checkbox"/> Response Daylight (Integrated Controls) For details visit www.ledalite.com/response	



Centris®

Suspended
Direct/Indirect
3 T5HO - Solid Housing



Photometry Optics RD Round Perf Baffle w/ Down Kit

Report Summary

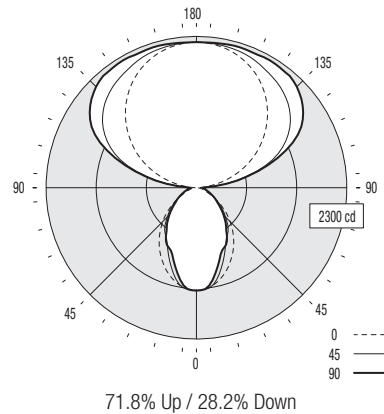
Report # 9900021
Filename 9506H03CD-RD.ies
Efficiency 82.6%

Peak Candela Value* 2239 @ 150°
Peak to Zenith Ratio* 1 : 1

* Between 90-180° vertical angle

Candela Distribution

Vertical Angle	Horizontal Angle					Zonal Lumens
	0	22.5	45	67.5	90	
0	1564	1564	1564	1564	1564	148
5	1548	1550	1554	1551	1547	377
15	1430	1432	1355	1268	1247	499
25	1231	1181	1038	990	1004	537
35	995	888	839	816	795	486
45	731	633	629	594	587	380
55	456	452	429	392	392	258
65	214	273	260	257	262	155
75	106	128	152	160	165	95
85	35	65	95	108	112	311
90	11	52	81	100	99	893
95	121	253	298	322	291	1337
105	483	759	941	968	979	1503
115	871	1119	1452	1616	1627	1463
125	1222	1409	1755	1957	1993	1272
135	1537	1661	1935	2131	2171	981
145	1799	1875	2043	2193	2229	618
155	2001	2039	2130	2202	2227	214
165	2136	2147	2185	2223	2235	
175	2204	2205	2207	2213	2215	
180	2214	2214	2214	2214	2214	



Coefficients of Utilization (%)

Ceiling:	80				70				50				0			
	70	50	30	10	70	50	30	10	70	50	30	10	70	50	30	10
0 RCR	83	83	83	83	74	74	74	57	57	57	57	21				
1	76	72	69	67	67	65	62	50	48	47	47	17				
2	69	63	59	55	61	57	53	44	41	39	15					
3	63	56	50	46	56	50	45	39	36	33	13					
4	58	49	43	39	51	44	39	35	31	28	11					
5	53	44	38	33	47	39	34	31	27	24	10					
6	49	39	33	28	43	35	30	28	24	21	9					
7	45	35	29	25	40	32	26	25	21	18	8					
8	42	32	26	22	37	29	24	23	19	16	7					
9	39	29	23	19	34	26	21	21	17	14	6					
10	36	27	21	17	32	24	19	19	15	13	6					

Based on a floor reflectance of 0.2

Avg. Luminance (cd/m²)

Vertical Angle	Horizontal Angle		
	0	45	90
55	3240	2230	1833
65	2064	1616	1420
75	1669	1221	1102
85	1637	1128	1016

IES files for this and other photometric options can be downloaded online at www.ledalite.com

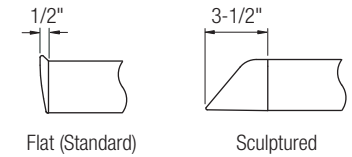
Additional Information

Modules

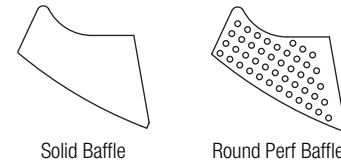
Module length excludes endcaps.
Nominal mount spacing for individually mounted modules.

Module	Mount Spacing
4ft	4' 0"
8ft	8' 0"
12ft	12' 0"

Endcap



Lower Optics



Upper Optics



Specifications

Due to continuing product improvements, Ledalite reserves the right to change specifications without notice.

Housing

Die-formed 20 gauge cold-rolled steel.

Weight

3.0 lb/ft.

Optical System

Direct/Indirect: Constructed of 96% reflective white steel to produce a direct/indirect distribution. Baffles are white blades spaced 2-7/16" apart and are 3/4" deep (18 cells per 4ft section). Perforation of baffles and housing is optional. Perforated housing options include acrylic overlay. Optional field-installable Variable Optics kits provide additional downlight as required.

Semi-Indirect: Constructed of 96% reflective white steel with perforated housing and acrylic overlay to produce a semi-indirect distribution. Perforated housing available in round or slot perforation patterns.

Indirect: Constructed of 96% reflective white steel to produce an indirect distribution.

High performance options use additional highly-specular aluminum reflectors.

Endcaps

Die-cast endcap or optional die-cast sculptured endcap.

Joints

Self-aligning joining system with hands-free pre-joining wire access.

Mounting

Aircraft cable gripper is tamper-resistant and provides infinite vertical adjustment capability. Aircraft cable, crimp and cable gripper independently tested to meet stringent safety requirements.

Electrical

Factory pre-wired to section ends with quick-wire connectors.

Ballast

Electronic.

Approvals

Certified to UL and CSA standards.

Finish

High-quality powder coat. Available in Ledalite Standard White (textured matte finish), and a selection of other factory and customer-specified colors. Consult factory for details.