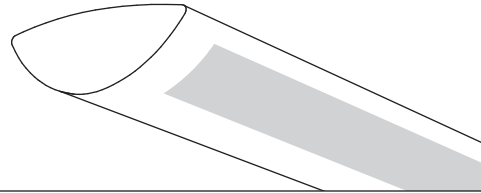


Centris®



Suspended
Semi-Indirect
3 T5HO



Project Name

Spec Type

Notes

Order Guide

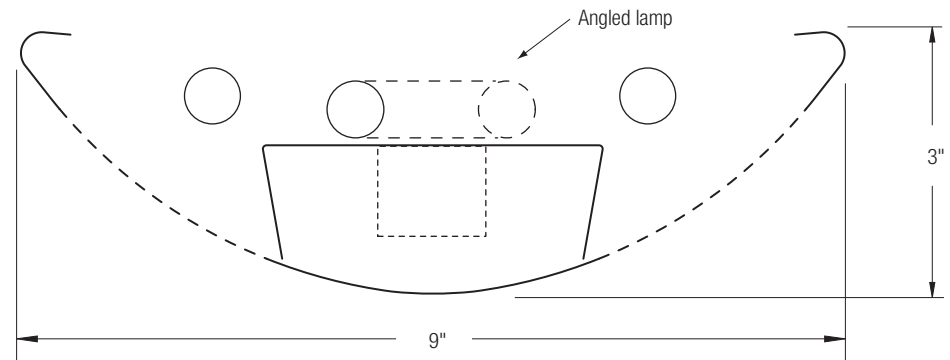
Some combinations of product options may not be available. Consult factory for assistance with your specification.

9505	H03	<input type="text"/>	<input type="text"/>	-	<input type="text"/>	-	<input type="text"/>	-	<input type="text"/>	<input type="text"/>	<input type="text"/>	
Product Series & Type Centris Semi-Indirect	Lamping 3 T5HO	Lower Optics L Round Perf Housing I Slot Perf Housing	Upper Optics N None	Run Length <i>Enter the total run length in feet (4ft increments)</i>	Wiring 1 1 cct 2 2 cct 3 1 cct w/ Emergency cct 4 2 cct w/ Emergency cct 5 1 cct w/ Battery Pack 6 2 cct w/ Battery Pack 7 1 cct Dimming	Voltage 1 120V 2 277V 3 347V	Ballast E Standard Ballast Consult website for ballast manufacturer information	Color & Finish W Standard White C Factory Color X Custom Color Consult website for color and finish options	Mounting Hardware <input type="text"/> <input type="text"/> Mount Type Suspension Length Consult separate mounting spec sheet for mount type options <i>Enter distance from ceiling to top of fixture in inches</i>			
		See details on reverse	See details on reverse	See details on reverse	Consult website for complete list of standard wiring options							

Upgrades & Accessories

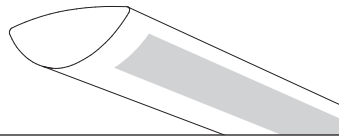
Please indicate with check mark.

<input type="checkbox"/> Lamps Included	<input checked="" type="checkbox"/> Lamps Included and Installed
<input type="checkbox"/> Sculptured Endcap See details on reverse	
<input type="checkbox"/> Response Daylight (Integrated Controls) For details visit www.ledalite.com/response	



Centris®

Suspended
Semi-Indirect
3 T5HO



Photometry Optics LN Round Perf Housing

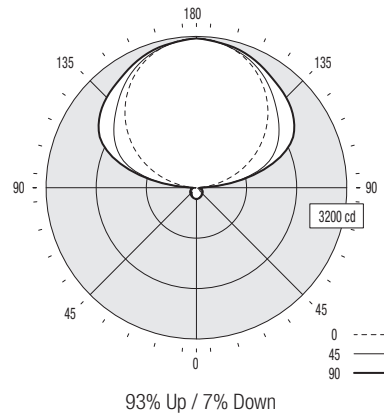
Report Summary

Report # 2101654
Filename 9505H03LN.ies
Efficiency 86.6%

Peak Candela Value* 3159 @ 180°
Peak to Zenith Ratio* 1 : 1
* Between 90-180° vertical angle

Candela Distribution

Vertical Angle	Horizontal Angle					Zonal Lumens
	0	22.5	45	67.5	90	
0	237	237	237	237	237	
5	234	234	235	235	236	23
15	220	220	225	225	228	63
25	194	195	204	208	214	93
35	160	161	176	187	197	110
45	119	125	149	168	180	115
55	76	89	125	151	164	109
65	40	59	102	129	142	95
75	19	35	76	101	114	73
85	7	20	49	72	85	53
90	7	28	46	68	75	
95	153	317	467	443	456	430
105	658	961	1351	1442	1485	1257
115	1203	1366	1851	2127	2207	1736
125	1703	1774	2146	2439	2528	1896
135	2151	2186	2400	2627	2700	1862
145	2528	2538	2666	2782	2821	1669
155	2827	2815	2891	2949	2967	1332
165	3035	3021	3038	3066	3075	859
175	3144	3140	3138	3133	3132	304
180	3159	3159	3159	3159	3159	



Coefficients of Utilization (%)

Ceiling:	80				70				50				0
	70	50	30	10	70	50	30	10	50	30	10	0	
0 RCR	83	83	83	83	72	72	72	51	51	51	5		
1	76	72	69	66	65	62	60	44	42	41	4		
2	69	63	58	54	59	54	50	38	36	34	3		
3	63	55	49	44	54	48	43	34	30	28	2		
4	57	48	42	37	49	42	37	30	26	23	2		
5	52	43	36	31	45	37	32	26	23	20	2		
6	48	38	32	27	41	33	28	23	20	17	1		
7	44	34	28	23	38	30	24	21	17	15	1		
8	41	31	24	20	35	27	21	19	15	13	1		
9	38	28	22	18	32	24	19	17	14	11	1		
10	35	25	19	15	30	22	17	16	12	10	1		

Based on a floor reflectance of 0.2

Avg. Luminance (cd/m²)

Vertical Angle	Horizontal Angle		
	0	45	90
55	540	650	767
65	386	634	769
75	299	611	762
85	327	582	771

IES files for this and other photometric options can be downloaded online at www.ledalite.com

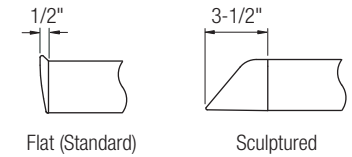
Additional Information

Modules

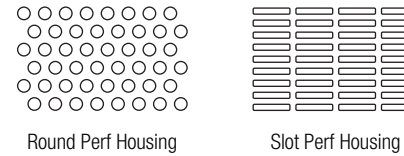
Module length excludes endcaps.
Nominal mount spacing for individually mounted modules.

Module	Mount Spacing
4ft	4' 0"
8ft	8' 0"
12ft	12' 0"

Endcap



Lower Optics



Specifications

Due to continuing product improvements, Ledalite reserves the right to change specifications without notice.

Housing

Die-formed 20 gauge cold-rolled steel.

Weight

3.0 lb/ft.

Optical System

Direct/Indirect: Constructed of 96% reflective white steel to produce a direct/indirect distribution. Baffles are white blades spaced 2-7/16" apart and are 3/4" deep (18 cells per 4ft section). Perforation of baffles and housing is optional. Perforated housing options include acrylic overlay. Optional field-installable Variable Optics kits provide additional downlight as required.

Semi-Indirect: Constructed of 96% reflective white steel with perforated housing and acrylic overlay to produce a semi-indirect distribution. Perforated housing available in round or slot perforation patterns.

Indirect: Constructed of 96% reflective white steel to produce an indirect distribution.

High performance options use additional highly-specular aluminum reflectors.

Endcaps

Die-cast endcap or optional die-cast sculptured endcap.

Joints

Self-aligning joining system with hands-free pre-joining wire access.

Mounting

Aircraft cable gripper is tamper-resistant and provides infinite vertical adjustment capability. Aircraft cable, crimp and cable gripper independently tested to meet stringent safety requirements.

Electrical

Factory pre-wired to section ends with quick-wire connectors.

Ballast

Electronic.

Approvals

Certified to UL and CSA standards.

Finish

High-quality powder coat. Available in Ledalite Standard White (textured matte finish), and a selection of other factory and customer-specified colors. Consult factory for details.