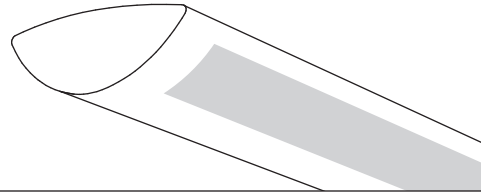


Suspended
Semi-Indirect
3 T5HO



Project Name

Spec Type

Notes

Order Guide

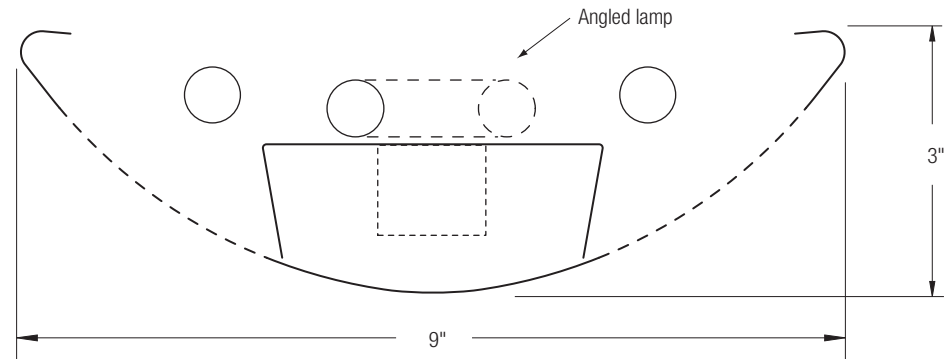
Some combinations of product options may not be available. Consult factory for assistance with your specification.

| | | | | | | | | | | | | | |
|---|---|---|------------------------|--|---|--|---|---|----------------------|---|----------------------|---|---|
| 9505 | H03 | <input type="text"/> | <input type="text"/> | - | <input type="text"/> | - | <input type="text"/> | - | <input type="text"/> | - | <input type="text"/> | | |
| Product Series & Type Centris Semi-Indirect | Lamping 3 T5HO | Lower Optics L Round Perf Housing I Slot Perf Housing | Upper Optics N None | Run Length <i>Enter the total run length in feet (4ft increments)</i> | Wiring 1 1 cct 2 2 cct 3 1 cct w/ Emergency cct 4 2 cct w/ Emergency cct 5 1 cct w/ Battery Pack 6 2 cct w/ Battery Pack 7 1 cct Dimming | Voltage 1 120V 2 277V 3 347V | Ballast E Standard Ballast Consult website for ballast manufacturer information | Color & Finish W Standard White C Factory Color X Custom Color Consult website for color and finish options | | | | | |
| | | See details on reverse | See details on reverse | See details on reverse | Consult website for complete list of standard wiring options | <h3>Mounting Hardware</h3> <p><input type="text"/> <input type="text"/></p> <table border="1"> <tr> <td>Mount Type Consult separate mounting spec sheet for mount type options</td> <td>Suspension Length <i>Enter distance from ceiling to top of fixture in inches</i></td> </tr> </table> | | | | | | Mount Type Consult separate mounting spec sheet for mount type options | Suspension Length <i>Enter distance from ceiling to top of fixture in inches</i> |
| Mount Type Consult separate mounting spec sheet for mount type options | Suspension Length <i>Enter distance from ceiling to top of fixture in inches</i> | | | | | | | | | | | | |

Upgrades & Accessories

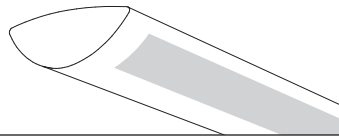
Please indicate with check mark.

| | |
|--|--|
| <input type="checkbox"/> Lamps Included | <input checked="" type="checkbox"/> Lamps Included and Installed |
| <input type="checkbox"/> Sculptured Endcap See details on reverse | |
| <input type="checkbox"/> Response Daylight (Integrated Controls) For details visit www.ledalite.com/response | |



Centris®

Suspended
Semi-Indirect
3 T5HO



Photometry Optics IN Slot Perf Housing

Report Summary

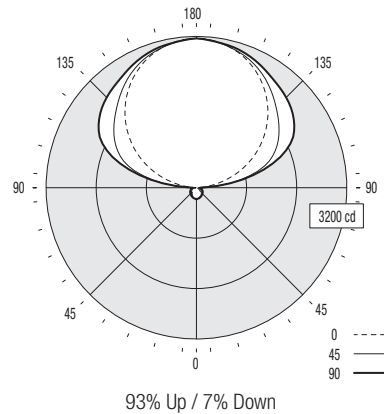
Report # 2101654
Filename 9505H03IN.ies
Efficiency 86.6%

Peak Candela Value* 3159 @ 180°
Peak to Zenith Ratio* 1 : 1

* Between 90-180° vertical angle

Candela Distribution

| Vertical Angle | Horizontal Angle | | | | | Zonal Lumens |
|----------------|------------------|------|------|------|------|--------------|
| | 0 | 22.5 | 45 | 67.5 | 90 | |
| 0 | 237 | 237 | 237 | 237 | 237 | |
| 5 | 234 | 234 | 235 | 235 | 236 | 23 |
| 15 | 220 | 220 | 225 | 225 | 228 | 63 |
| 25 | 194 | 195 | 204 | 208 | 214 | 93 |
| 35 | 160 | 161 | 176 | 187 | 197 | 110 |
| 45 | 119 | 125 | 149 | 168 | 180 | 115 |
| 55 | 76 | 89 | 125 | 151 | 164 | 109 |
| 65 | 40 | 59 | 102 | 129 | 142 | 95 |
| 75 | 19 | 35 | 76 | 101 | 114 | 73 |
| 85 | 7 | 20 | 49 | 72 | 85 | 53 |
| 90 | 7 | 28 | 46 | 68 | 75 | |
| 95 | 153 | 317 | 467 | 443 | 456 | 430 |
| 105 | 658 | 961 | 1351 | 1442 | 1485 | 1257 |
| 115 | 1203 | 1366 | 1851 | 2127 | 2207 | 1736 |
| 125 | 1703 | 1774 | 2146 | 2439 | 2528 | 1896 |
| 135 | 2151 | 2186 | 2400 | 2627 | 2700 | 1862 |
| 145 | 2528 | 2538 | 2666 | 2782 | 2821 | 1669 |
| 155 | 2827 | 2815 | 2891 | 2949 | 2967 | 1332 |
| 165 | 3035 | 3021 | 3038 | 3066 | 3075 | 859 |
| 175 | 3144 | 3140 | 3138 | 3133 | 3132 | 304 |
| 180 | 3159 | 3159 | 3159 | 3159 | 3159 | |



Coefficients of Utilization (%)

| Ceiling: | 80 | | | | 70 | | | | 50 | | | | 0 |
|----------|----|----|----|----|----|----|----|----|----|----|----|---|---|
| | 70 | 50 | 30 | 10 | 70 | 50 | 30 | 10 | 50 | 30 | 10 | 0 | |
| 0 RCR | 83 | 83 | 83 | 83 | 72 | 72 | 72 | 51 | 51 | 51 | 5 | | |
| 1 | 76 | 72 | 69 | 66 | 65 | 62 | 60 | 44 | 42 | 41 | 4 | | |
| 2 | 69 | 63 | 58 | 54 | 59 | 54 | 50 | 38 | 36 | 34 | 3 | | |
| 3 | 63 | 55 | 49 | 44 | 54 | 48 | 43 | 34 | 30 | 28 | 2 | | |
| 4 | 57 | 48 | 42 | 37 | 49 | 42 | 37 | 30 | 26 | 23 | 2 | | |
| 5 | 52 | 43 | 36 | 31 | 45 | 37 | 32 | 26 | 23 | 20 | 2 | | |
| 6 | 48 | 38 | 32 | 27 | 41 | 33 | 28 | 23 | 20 | 17 | 1 | | |
| 7 | 44 | 34 | 28 | 23 | 38 | 30 | 24 | 21 | 17 | 15 | 1 | | |
| 8 | 41 | 31 | 24 | 20 | 35 | 27 | 21 | 19 | 15 | 13 | 1 | | |
| 9 | 38 | 28 | 22 | 18 | 32 | 24 | 19 | 17 | 14 | 11 | 1 | | |
| 10 | 35 | 25 | 19 | 15 | 30 | 22 | 17 | 16 | 12 | 10 | 1 | | |

Based on a floor reflectance of 0.2

Avg. Luminance (cd/m²)

| Vertical Angle | Horizontal Angle | | |
|----------------|------------------|-----|-----|
| | 0 | 45 | 90 |
| 55 | 540 | 650 | 767 |
| 65 | 386 | 634 | 769 |
| 75 | 299 | 611 | 762 |
| 85 | 327 | 582 | 771 |

IES files for this and other photometric options can be downloaded online at www.ledalite.com

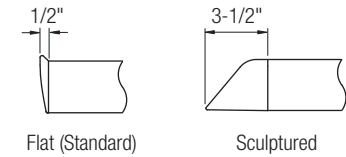
Additional Information

Modules

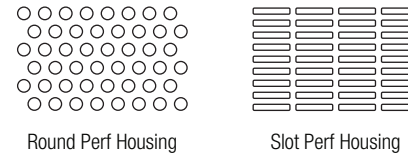
Module length excludes endcaps.
Nominal mount spacing for individually mounted modules.

| Module | Mount Spacing |
|--------|---------------|
| 4ft | 4' 0" |
| 8ft | 8' 0" |
| 12ft | 12' 0" |

Endcap



Lower Optics



Specifications

Due to continuing product improvements, Ledalite reserves the right to change specifications without notice.

Housing

Die-formed 20 gauge cold-rolled steel.

Weight

3.0 lb/ft.

Optical System

Direct/Indirect: Constructed of 96% reflective white steel to produce a direct/indirect distribution. Baffles are white blades spaced 2-7/16" apart and are 3/4" deep (18 cells per 4ft section). Perforation of baffles and housing is optional. Perforated housing options include acrylic overlay. Optional field-installable Variable Optics kits provide additional downlight as required.

Semi-Indirect: Constructed of 96% reflective white steel with perforated housing and acrylic overlay to produce a semi-indirect distribution. Perforated housing available in round or slot perforation patterns.

Indirect: Constructed of 96% reflective white steel to produce an indirect distribution.

High performance options use additional highly-specular aluminum reflectors.

Endcaps

Die-cast endcap or optional die-cast sculptured endcap.

Joints

Self-aligning joining system with hands-free pre-joining wire access.

Mounting

Aircraft cable gripper is tamper-resistant and provides infinite vertical adjustment capability. Aircraft cable, crimp and cable gripper independently tested to meet stringent safety requirements.

Electrical

Factory pre-wired to section ends with quick-wire connectors.

Ballast

Electronic.

Approvals

Certified to UL and CSA standards.

Finish

High-quality powder coat. Available in Ledalite Standard White (textured matte finish), and a selection of other factory and customer-specified colors. Consult factory for details.