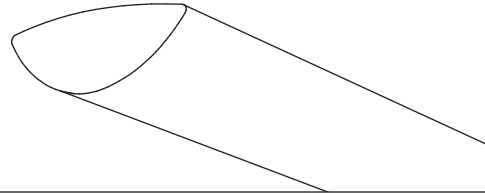


Suspended

Indirect

3 T5HO



Project Name

Spec Type

Notes

Order Guide

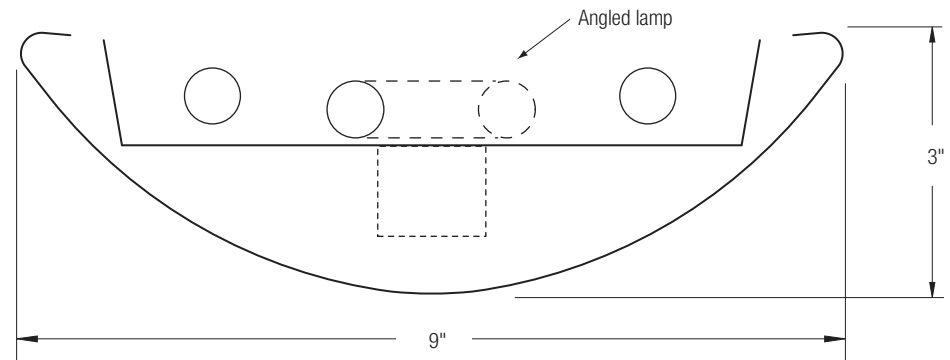
Some combinations of product options may not be available. Consult factory for assistance with your specification.

9503	H03			-		-		-	
Product Series & Type Centris Indirect	Lamping 3 T5HO	Lower Optics E Solid Housing	Upper Optics N None	Run Length <i>Enter the total run length in feet (4ft increments)</i>	Wiring 1 1 cct 2 2 cct 3 1 cct w/ Emergency cct 4 2 cct w/ Emergency cct 5 1 cct w/ Battery Pack 6 2 cct w/ Battery Pack 7 1 cct Dimming	Voltage 1 120V 2 277V 3 347V	Ballast E Standard Ballast Consult website for ballast manufacturer information	Color & Finish W Standard White C Factory Color X Custom Color Consult website for color and finish options	
		See details on reverse	See details on reverse	See details on reverse	Consult website for complete list of standard wiring options				
Mounting Hardware									
				Mount Type		Suspension Length <i>Enter distance from ceiling to top of fixture in inches</i>			
				Consult separate mounting spec sheet for mount type options					

Upgrades & Accessories

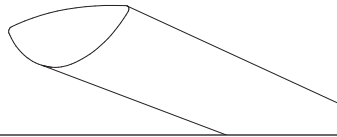
Please indicate with check mark.

<input type="checkbox"/> Lamps Included	<input checked="" type="checkbox"/> Lamps Included and Installed
<input type="checkbox"/> Sculptured Endcap See details on reverse	
<input type="checkbox"/> Response Daylight (Integrated Controls) For details visit www.ledalite.com/response	



Centris®

Suspended
Indirect
3 T5HO



Photometry Optics EN

Report Summary

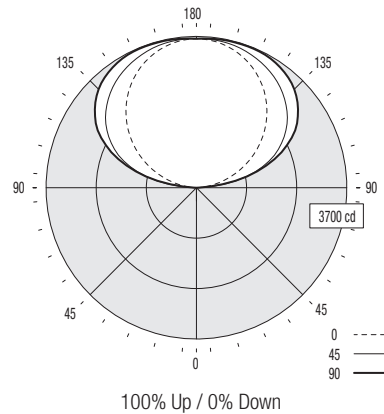
Report # 2101610
Filename 9503H03EN.ies
Efficiency 96.8%

Peak Candela Value* 3681 @ 160°
Peak to Zenith Ratio* 1 : 1
* Between 90-180° vertical angle

Meets RP-1-04 recommendations for VDT-Intensive spaces

Candela Distribution

Vertical Angle	Horizontal Angle					Zonal Lumens
	0	22.5	45	67.5	90	
0	0	0	0	0	0	
5	0	0	0	0	0	0
15	0	0	0	0	0	0
25	0	0	0	0	0	0
35	0	0	0	0	0	0
45	0	0	0	0	0	0
55	0	0	0	0	0	0
65	0	0	0	0	0	0
75	0	0	0	0	0	0
85	0	0	0	0	0	0
90	6	7	12	8	9	
95	161	311	435	294	324	392
105	717	1164	1495	1515	1547	1387
115	1330	1782	2225	2417	2455	2049
125	1917	2261	2722	2976	3046	2332
135	2447	2675	3068	3337	3405	2316
145	2901	3037	3320	3531	3593	2057
155	3251	3330	3488	3627	3674	1605
165	3496	3530	3602	3658	3678	1016
175	3626	3632	3645	3656	3660	353
180	3645	3645	3645	3645	3645	



Coefficients of Utilization (%)

Ceiling: Walk:	80				70				50				0
	70	50	30	10	70	50	30	10	50	30	10	0	
0 RCR	92	92	92	92	78	78	78	53	53	53	0		
1	83	80	76	73	71	68	65	46	45	43	0		
2	76	69	64	59	64	59	55	40	38	36	0		
3	69	61	54	49	59	52	47	36	32	30	0		
4	63	53	46	41	53	46	40	31	28	25	0		
5	57	47	40	35	49	40	35	28	24	21	0		
6	53	42	35	30	45	36	30	25	21	18	0		
7	48	38	30	26	41	32	26	22	18	16	0		
8	45	34	27	22	38	29	23	20	16	13	0		
9	41	30	24	19	35	26	21	18	14	12	0		
10	38	28	21	17	33	24	18	16	13	10	0		

Based on a floor reflectance of 0.2

Avg. Luminance (cd/m²)

Vertical Angle	Horizontal Angle		
	0	45	90
55	0	0	0
65	0	0	0
75	0	0	0
85	0	0	0

IES files for this and other photometric options can be downloaded online at www.ledalite.com

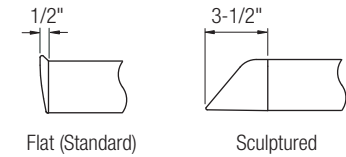
Additional Information

Modules

Module length excludes endcaps.
Nominal mount spacing for individually mounted modules.

Module	Mount Spacing
4ft	4' 0"
8ft	8' 0"
12ft	12' 0"

Endcap



Specifications

Due to continuing product improvements, Ledalite reserves the right to change specifications without notice.

Housing

Die-formed 20 gauge cold-rolled steel.

Weight

3.0 lb/ft.

Optical System

Direct/Indirect: Constructed of 96% reflective white steel to produce a direct/indirect distribution. Baffles are white blades spaced 2-7/16" apart and are 3/4" deep (18 cells per 4ft section). Perforation of baffles and housing is optional. Perforated housing options include acrylic overlay. Optional field-installable Variable Optics kits provide additional downlight as required.

Semi-Indirect: Constructed of 96% reflective white steel with perforated housing and acrylic overlay to produce a semi-indirect distribution. Perforated housing available in round or slot perforation patterns.

Indirect: Constructed of 96% reflective white steel to produce an indirect distribution.

High performance options use additional highly-specular aluminum reflectors.

Endcaps

Die-cast endcap or optional die-cast sculptured endcap.

Joints

Self-aligning joining system with hands-free pre-joining wire access.

Mounting

Aircraft cable gripper is tamper-resistant and provides infinite vertical adjustment capability. Aircraft cable, crimp and cable gripper independently tested to meet stringent safety requirements.

Electrical

Factory pre-wired to section ends with quick-wire connectors.

Ballast

Electronic.

Approvals

Certified to UL and CSA standards.

Finish

High-quality powder coat. Available in Ledalite Standard White (textured matte finish), and a selection of other factory and customer-specified colors. Consult factory for details.