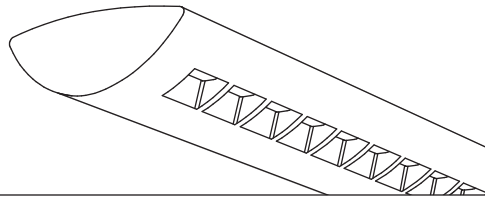


# Centris®



Suspended  
 Direct/Indirect  
 3 T5HO - Solid Housing



Project Name

Spec Type

Notes



## Order Guide

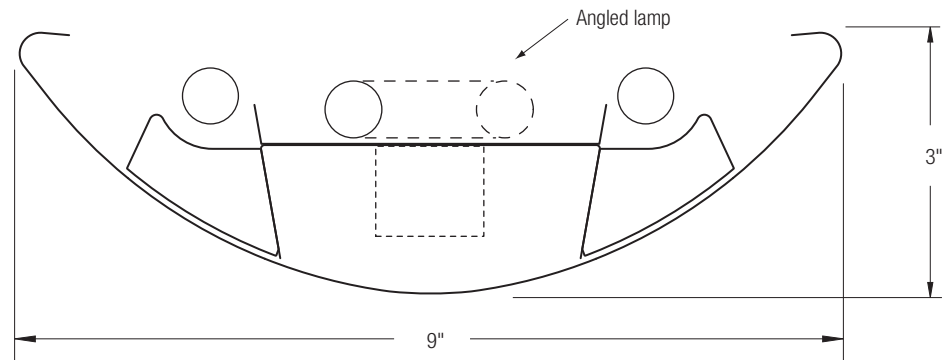
Some combinations of product options may not be available. Consult factory for assistance with your specification.

<b>9506</b>	<b>H03</b>	<input type="text"/>	<input type="text"/>	-	<input type="text"/>	-	<input type="text"/>	-	<input type="text"/>	-	<input type="text"/>
Product Series & Type Centris Direct/Indirect	Lamping 3 T5HO	Lower Optics <b>C</b> Solid Baffle <b>R</b> Round Perf Baffle	Upper Optics <b>N</b> None <b>D</b> Down Kit <b>Y</b> Lamp Separator	Run Length <i>Enter the total run length in feet (4ft increments)</i>	Wiring <b>1</b> 1 cct <b>2</b> 2 cct <b>3</b> 1 cct w/ Emergency cct <b>4</b> 2 cct w/ Emergency cct <b>5</b> 1 cct w/ Battery Pack <b>6</b> 2 cct w/ Battery Pack <b>7</b> 1 cct Dimming	Voltage <b>1</b> 120V <b>2</b> 277V <b>3</b> 347V	Ballast <b>E</b> Standard Ballast  Consult website for ballast manufacturer information	Color & Finish <b>W</b> Standard White <b>C</b> Factory Color <b>X</b> Custom Color  Consult website for color and finish options			
<b>Mounting Hardware</b>											
<input type="text"/>											
Mount Type Consult separate mounting spec sheet for mount type options						Suspension Length <i>Enter distance from ceiling to top of fixture in inches</i>					

## Upgrades & Accessories

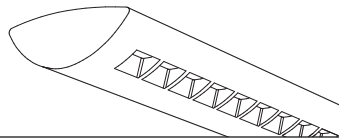
Please indicate with check mark.

<input type="checkbox"/> Lamps Included	<input checked="" type="checkbox"/> Lamps Included and Installed
<input type="checkbox"/> Sculptured Endcap See details on reverse	
<input type="checkbox"/> Response Daylight (Integrated Controls) For details visit <a href="http://www.ledalite.com/response">www.ledalite.com/response</a>	



# Centris®

Suspended  
Direct/Indirect  
3 T5HO - Solid Housing



## Photometry Optics CY Solid Baffle w/ Lamp Separator

### Report Summary

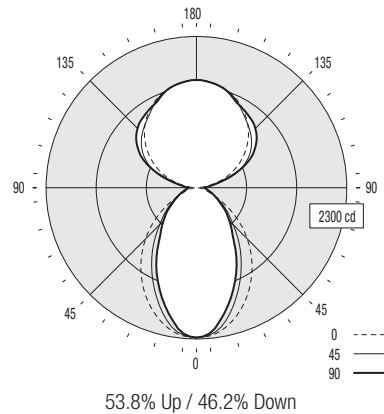
Report # 9900022  
Filename 9506H03CY-RY.ies  
Efficiency 66.8%

Peak Candela Value\* 1637 @ 178°  
Peak to Zenith Ratio\* 1 : 1

\* Between 90-180° vertical angle

### Candela Distribution

Vertical Angle	Horizontal Angle					Zonal Lumens
	0	22.5	45	67.5	90	
0	2279	2279	2279	2279	2279	
5	2264	2259	2250	2235	2229	214
15	2103	2070	1979	1892	1857	554
25	1826	1722	1573	1475	1438	733
35	1484	1329	1174	1053	1001	749
45	1102	947	796	727	713	652
55	696	605	533	495	483	499
65	324	348	323	314	316	328
75	144	164	193	203	206	199
85	44	83	122	137	141	120
90	9	63	104	122	127	
95	76	130	162	174	183	175
105	350	446	466	421	419	455
115	635	687	797	812	825	745
125	894	890	1018	1086	1106	891
135	1126	1102	1171	1252	1274	911
145	1319	1306	1296	1346	1363	829
155	1471	1463	1458	1434	1436	670
165	1575	1570	1570	1568	1570	442
175	1630	1631	1631	1626	1627	157
180	1637	1637	1637	1637	1637	



### Coefficients of Utilization (%)

Ceiling:	80				70				50				0
	70	50	30	10	70	50	30	10	50	30	10	0	
0 RCR	70	70	70	70	64	64	64	53	53	53	29		
1	64	61	59	57	59	56	54	46	45	44	24		
2	59	54	50	47	53	49	46	41	39	37	21		
3	54	48	43	39	49	44	40	37	34	31	18		
4	49	42	37	33	45	39	35	33	29	27	16		
5	45	38	33	29	41	35	30	29	26	23	14		
6	42	34	29	25	38	32	27	27	23	20	12		
7	39	31	26	22	35	29	24	24	21	18	11		
8	36	28	23	20	33	26	22	22	19	16	10		
9	34	26	21	18	31	24	20	20	17	15	9		
10	31	24	19	16	29	22	18	19	15	13	8		

Based on a floor reflectance of 0.2

### Avg. Luminance (cd/m²)

Vertical Angle	Horizontal Angle		
	0	45	90
55	4946	2770	2259
65	3125	2008	1712
75	2268	1551	1376
85	2058	1448	1279

IES files for this and other photometric options can be downloaded online at [www.ledalite.com](http://www.ledalite.com)

## Additional Information

### Modules

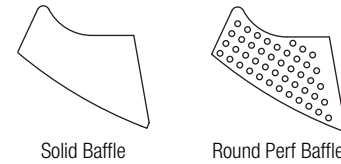
Module length excludes endcaps.  
Nominal mount spacing for individually mounted modules.

Module	Mount Spacing
4ft	4' 0"
8ft	8' 0"
12ft	12' 0"

### Endcap



### Lower Optics



### Upper Optics



## Specifications

Due to continuing product improvements, Ledalite reserves the right to change specifications without notice.

### Housing

Die-formed 20 gauge cold-rolled steel.

### Weight

3.0 lb/ft.

### Optical System

Direct/Indirect: Constructed of 96% reflective white steel to produce a direct/indirect distribution. Baffles are white blades spaced 2-7/16" apart and are 3/4" deep (18 cells per 4ft section). Perforation of baffles and housing is optional. Perforated housing options include acrylic overlay. Optional field-installable Variable Optics kits provide additional downlight as required.

Semi-Indirect: Constructed of 96% reflective white steel with perforated housing and acrylic overlay to produce a semi-indirect distribution. Perforated housing available in round or slot perforation patterns.

Indirect: Constructed of 96% reflective white steel to produce an indirect distribution.

High performance options use additional highly-specular aluminum reflectors.

### Endcaps

Die-cast endcap or optional die-cast sculptured endcap.

### Joints

Self-aligning joining system with hands-free pre-joining wire access.

### Mounting

Aircraft cable gripper is tamper-resistant and provides infinite vertical adjustment capability. Aircraft cable, crimp and cable gripper independently tested to meet stringent safety requirements.

### Electrical

Factory pre-wired to section ends with quick-wire connectors.

### Ballast

Electronic.

### Approvals

Certified to UL and CSA standards.

### Finish

High-quality powder coat. Available in Ledalite Standard White (textured matte finish), and a selection of other factory and customer-specified colors. Consult factory for details.