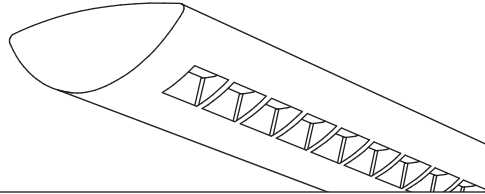


Centris®



Suspended
 Direct/Indirect
 3 T5HO - Solid Housing



Project Name

Spec Type

Notes



Order Guide

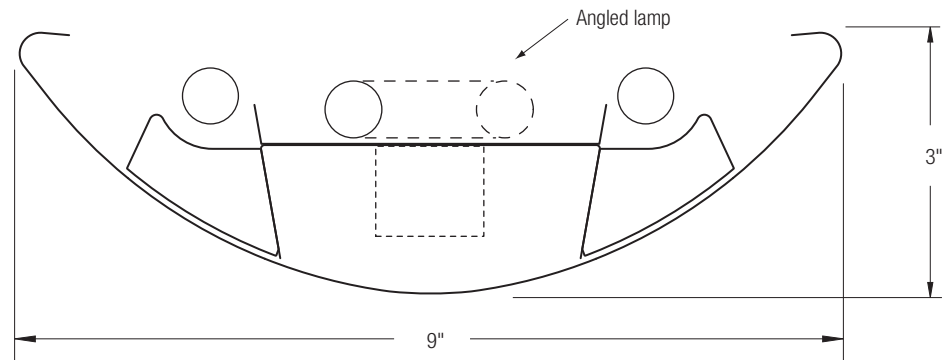
Some combinations of product options may not be available. Consult factory for assistance with your specification.

9506	H03	<input type="text"/>	<input type="text"/>	-	<input type="text"/>	-	<input type="text"/>	-	<input type="text"/>	-	<input type="text"/>
Product Series & Type Centris Direct/Indirect	Lamping 3 T5HO	Lower Optics C Solid Baffle R Round Perf Baffle	Upper Optics N None D Down Kit Y Lamp Separator	Run Length <i>Enter the total run length in feet (4ft increments)</i>	Wiring 1 1 cct 2 2 cct 3 1 cct w/ Emergency cct 4 2 cct w/ Emergency cct 5 1 cct w/ Battery Pack 6 2 cct w/ Battery Pack 7 1 cct Dimming	Voltage 1 120V 2 277V 3 347V	Ballast E Standard Ballast Consult website for ballast manufacturer information	Color & Finish W Standard White C Factory Color X Custom Color Consult website for color and finish options			
Mounting Hardware											
<input type="text"/>											
Mount Type Consult separate mounting spec sheet for mount type options						Suspension Length <i>Enter distance from ceiling to top of fixture in inches</i>					

Upgrades & Accessories

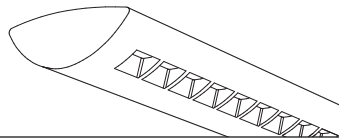
Please indicate with check mark.

<input type="checkbox"/> Lamps Included	<input checked="" type="checkbox"/> Lamps Included and Installed
<input type="checkbox"/> Sculptured Endcap See details on reverse	
<input type="checkbox"/> Response Daylight (Integrated Controls) For details visit www.ledalite.com/response	



Centris®

Suspended
Direct/Indirect
3 T5HO - Solid Housing



Photometry Optics CN Solid Baffle

Report Summary

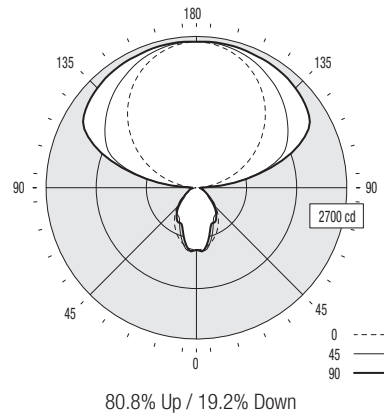
Report # 2101656
Filename 9506H03CN-RN.ies
Efficiency 88.2%

Peak Candela Value* 2617 @ 173°
Peak to Zenith Ratio* 1 : 1

* Between 90-180° vertical angle

Candela Distribution

Vertical Angle	Horizontal Angle					Zonal Lumens
	0	22.5	45	67.5	90	
0	1110	1110	1110	1110	1110	
5	1101	1109	1128	1136	1142	108
15	1012	1045	987	895	890	270
25	865	843	714	675	693	348
35	687	612	592	613	621	385
45	494	432	478	436	437	349
55	302	329	306	252	259	264
65	142	190	173	163	170	171
75	71	85	104	112	121	105
85	22	47	71	77	83	69
90	7	41	65	76	72	
95	126	332	465	418	451	415
105	528	945	1305	1340	1384	1188
115	966	1270	1783	2069	2145	1643
125	1375	1589	1998	2321	2429	1747
135	1747	1901	2189	2434	2515	1672
145	2066	2170	2342	2513	2566	1463
155	2320	2382	2475	2556	2586	1140
165	2496	2527	2562	2599	2613	725
175	2591	2596	2604	2612	2615	252
180	2606	2606	2606	2606	2606	



Coefficients of Utilization (%)

Ceiling:	80				70				50				0
	70	50	30	10	70	50	30	10	50	30	10	0	
0 RCR	87	87	87	87	77	77	77	57	57	57	14		
1	80	76	73	70	70	67	64	50	48	46	12		
2	72	66	61	57	63	58	54	44	41	39	10		
3	66	58	52	47	58	51	46	39	35	32	9		
4	60	52	45	40	53	46	40	34	30	28	8		
5	55	46	39	34	48	40	35	30	27	24	7		
6	51	41	34	29	44	36	31	27	23	20	6		
7	47	37	30	26	41	33	27	25	21	18	5		
8	43	33	27	22	38	29	24	22	18	16	5		
9	40	30	24	20	35	27	21	20	17	14	4		
10	37	27	21	17	33	24	19	19	15	12	4		

Based on a floor reflectance of 0.2

Avg. Luminance (cd/m²)

Vertical Angle	Horizontal Angle		
	0	45	90
55	2146	1590	1211
65	1369	1075	921
75	1118	836	808
85	1029	843	753

IES files for this and other photometric options can be downloaded online at www.ledalite.com

Additional Information

Modules

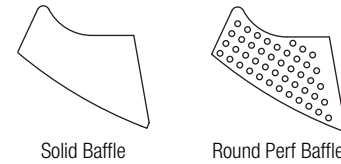
Module length excludes endcaps.
Nominal mount spacing for individually mounted modules.

Module	Mount Spacing
4ft	4' 0"
8ft	8' 0"
12ft	12' 0"

Endcap



Lower Optics



Upper Optics



Specifications

Due to continuing product improvements, Ledalite reserves the right to change specifications without notice.

Housing

Die-formed 20 gauge cold-rolled steel.

Weight

3.0 lb/ft.

Optical System

Direct/Indirect: Constructed of 96% reflective white steel to produce a direct/indirect distribution. Baffles are white blades spaced 2-7/16" apart and are 3/4" deep (18 cells per 4ft section). Perforation of baffles and housing is optional. Perforated housing options include acrylic overlay. Optional field-installable Variable Optics kits provide additional downlight as required.

Semi-Indirect: Constructed of 96% reflective white steel with perforated housing and acrylic overlay to produce a semi-indirect distribution. Perforated housing available in round or slot perforation patterns.

Indirect: Constructed of 96% reflective white steel to produce an indirect distribution.

High performance options use additional highly-specular aluminum reflectors.

Endcaps

Die-cast endcap or optional die-cast sculptured endcap.

Joints

Self-aligning joining system with hands-free pre-joining wire access.

Mounting

Aircraft cable gripper is tamper-resistant and provides infinite vertical adjustment capability. Aircraft cable, crimp and cable gripper independently tested to meet stringent safety requirements.

Electrical

Factory pre-wired to section ends with quick-wire connectors.

Ballast

Electronic.

Approvals

Certified to UL and CSA standards.

Finish

High-quality powder coat. Available in Ledalite Standard White (textured matte finish), and a selection of other factory and customer-specified colors. Consult factory for details.