

Centris®



Suspended
Direct/Indirect
2 T8 - Perf Housing



Project Name

Spec Type

Notes




Order Guide

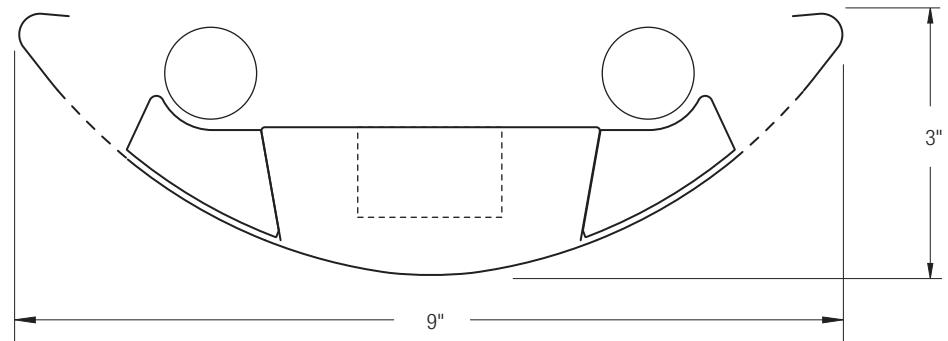
Some combinations of product options may not be available. Consult factory for assistance with your specification.

9506	T02			-		-		-				
Product Series & Type Centris Direct/Indirect	Lamping 2 T8	Lower Optics M Round Perf Housing / Solid Baffle T Round Perf Housing / Round Perf Baffle U Slot Perf Housing / Solid Baffle Z Slot Perf Housing / Round Perf Baffle See details on reverse	Upper Optics N None D Down Kit Y Lamp Separator See details on reverse	Run Length <i>Enter the total run length in feet (4ft increments)</i> See details on reverse	Wiring 1 1 cct 2 2 cct 3 1 cct w/ Emergency cct 4 2 cct w/ Emergency cct 5 1 cct w/ Battery Pack 6 2 cct w/ Battery Pack 7 1 cct Dimming Consult website for complete list of standard wiring options	Voltage 1 120V 2 277V 3 347V	Ballast E Standard Ballast Consult website for ballast manufacturer information	Color & Finish W Standard White C Factory Color X Custom Color Consult website for color and finish options	<h3>Mounting Hardware</h3> <div style="display: flex; justify-content: space-between;"> <input type="text"/> <input type="text"/> </div> <table border="1"> <tr> <td>Mount Type Consult separate mounting spec sheet for mount type options</td> <td>Suspension Length <i>Enter distance from ceiling to top of fixture in inches</i></td> </tr> </table>		Mount Type Consult separate mounting spec sheet for mount type options	Suspension Length <i>Enter distance from ceiling to top of fixture in inches</i>
Mount Type Consult separate mounting spec sheet for mount type options	Suspension Length <i>Enter distance from ceiling to top of fixture in inches</i>											

Upgrades & Accessories

Please indicate with check mark.

<input type="checkbox"/> Lamps Included	<input type="checkbox"/> Lamps Included and Installed
<input type="checkbox"/> Sculptured Endcap See details on reverse	<input type="checkbox"/> Dust Cover 
<input type="checkbox"/> Response Daylight (Integrated Controls) For details visit www.ledalite.com/response	



Centris®

Suspended
Direct/Indirect
2 T8 - Perf Housing



Photometry Optics UD Slot Perf Housing / Solid Baffle w/ Down Kit

Report Summary

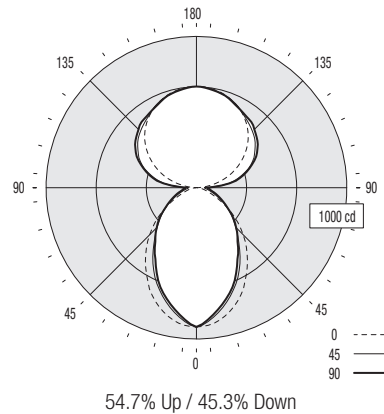
Report # 2101726
Filename 9506T02UD-ZD.ies
Efficiency 72.5%

Peak Candela Value* 669 @ 180°
Peak to Zenith Ratio* 1 : 1

* Between 90-180° vertical angle

Candela Distribution

Vertical Angle	Horizontal Angle					Zonal Lumens
	0	22.5	45	67.5	90	
0	920	920	920	920	920	
5	913	901	889	872	876	84
15	849	799	781	760	761	220
25	739	668	653	622	624	301
35	592	527	501	474	483	318
45	440	386	369	364	373	294
55	281	253	266	260	270	236
65	135	155	168	172	183	163
75	59	70	101	111	121	100
85	17	35	62	74	82	61
90	2	31	53	70	71	
95	42	97	169	165	168	144
105	164	228	310	327	325	290
115	285	323	412	431	425	375
125	394	413	477	501	498	410
135	487	491	527	550	545	402
145	559	557	566	577	577	356
155	612	608	614	607	607	282
165	649	646	645	643	643	183
175	667	667	667	664	664	65
180	669	669	669	669	669	



Coefficients of Utilization (%)

Ceiling: Wall:	80				70				50				0
	70	50	30	10	70	50	30	10	50	30	10	0	
0 RCR	76	76	76	76	69	69	69	57	57	57	30		
1	69	66	63	61	63	61	58	50	48	46	25		
2	63	58	54	50	58	53	49	44	41	39	21		
3	58	51	46	42	53	47	42	39	35	33	18		
4	53	45	40	36	48	42	37	35	31	28	16		
5	49	41	35	31	44	37	32	31	27	24	14		
6	45	36	31	27	41	33	28	28	24	21	12		
7	42	33	27	23	38	30	25	25	22	19	11		
8	39	30	24	21	35	28	23	23	19	17	10		
9	36	27	22	18	33	25	20	21	18	15	9		
10	34	25	20	16	31	23	19	20	16	13	8		

Based on a floor reflectance of 0.2

Avg. Luminance (cd/m²)

Vertical Angle	Horizontal Angle		
	0	45	90
55	1997	1382	1263
65	1302	1044	992
75	929	812	808
85	795	736	744

IES files for this and other photometric options can be downloaded online at www.ledalite.com

Additional Information

Modules

Module length excludes endcaps.
Nominal mount spacing for individually mounted modules.

Module	Mount Spacing
4ft	4' 0"
8ft	8' 0"
12ft	12' 0"

Endcap



Lower Optics



Upper Optics



Specifications

Due to continuing product improvements, Ledalite reserves the right to change specifications without notice.

Housing

Die-formed 20 gauge cold-rolled steel.

Weight

3.0 lb/ft.

Optical System

Direct/Indirect: Constructed of 96% reflective white steel to produce a direct/indirect distribution. Baffles are white blades spaced 2-7/16" apart and are 3/4" deep (18 cells per 4ft section). Perforation of baffles and housing is optional. Perforated housing options include acrylic overlay. Optional field-installable Variable Optics kits provide additional downlight as required.

Semi-Indirect: Constructed of 96% reflective white steel with perforated housing and acrylic overlay to produce a semi-indirect distribution. Perforated housing available in round or slot perforation patterns.

Indirect: Constructed of 96% reflective white steel to produce an indirect distribution.

High performance options use additional highly-specular aluminum reflectors.

Endcaps

Die-cast endcap or optional die-cast sculptured endcap.

Joints

Self-aligning joining system with hands-free pre-joining wire access.

Mounting

Aircraft cable gripper is tamper-resistant and provides infinite vertical adjustment capability. Aircraft cable, crimp and cable gripper independently tested to meet stringent safety requirements.

Electrical

Factory pre-wired to section ends with quick-wire connectors.

Ballast

Electronic.

Approvals

Certified to UL and CSA standards.

Finish

High-quality powder coat. Available in Ledalite Standard White (textured matte finish), and a selection of other factory and customer-specified colors. Consult factory for details.