

Centris®



Suspended
Direct/Indirect
2 T8 - Perf Housing



Project Name

Spec Type

Notes




Order Guide

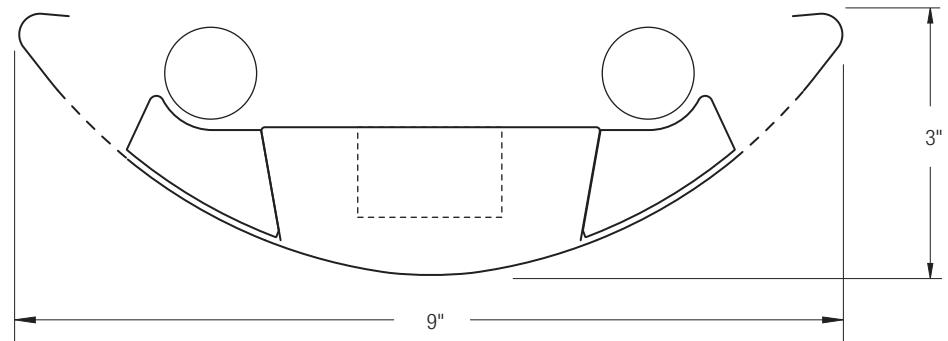
Some combinations of product options may not be available. Consult factory for assistance with your specification.

9506	T02			-		-		-			
Product Series & Type Centris Direct/Indirect	Lamping 2 T8	Lower Optics M Round Perf Housing / Solid Baffle T Round Perf Housing / Round Perf Baffle U Slot Perf Housing / Solid Baffle Z Slot Perf Housing / Round Perf Baffle	Upper Optics N None D Down Kit Y Lamp Separator	Run Length <i>Enter the total run length in feet (4ft increments)</i>	Wiring 1 1 cct 2 2 cct 3 1 cct w/ Emergency cct 4 2 cct w/ Emergency cct 5 1 cct w/ Battery Pack 6 2 cct w/ Battery Pack 7 1 cct Dimming	Voltage 1 120V 2 277V 3 347V	Ballast E Standard Ballast Consult website for ballast manufacturer information	Color & Finish W Standard White C Factory Color X Custom Color Consult website for color and finish options	Mounting Hardware <input type="text"/> <input type="text"/> Mount Type <input type="text"/> Suspension Length <input type="text"/> <i>Enter distance from ceiling to top of fixture in inches</i> Consult separate mounting spec sheet for mount type options		
		See details on reverse	See details on reverse	See details on reverse	Consult website for complete list of standard wiring options						

Upgrades & Accessories

Please indicate with check mark.

<input type="checkbox"/> Lamps Included	<input type="checkbox"/> Lamps Included and Installed
<input type="checkbox"/> Sculptured Endcap See details on reverse	<input type="checkbox"/> Dust Cover 
<input type="checkbox"/> Response Daylight (Integrated Controls) For details visit www.ledalite.com/response	



Centris®

Suspended
Direct/Indirect
2 T8 - Perf Housing



Photometry Optics TN Round Perf Housing / Round Perf Baffle

Report Summary

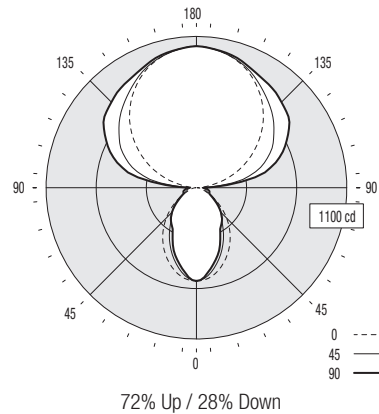
Report # 2101579
Filename 9506T02MN-TN.ies
Efficiency 84.1%

Peak Candela Value* 1029 @ 180°
Peak to Zenith Ratio* 1 : 1

* Between 90-180° vertical angle

Candela Distribution

Vertical Angle	Horizontal Angle					Zonal Lumens
	0	22.5	45	67.5	90	
0	678	678	678	678	678	
5	673	668	662	649	654	63
15	622	595	572	542	543	161
25	535	486	457	414	412	210
35	431	374	334	312	319	218
45	312	268	251	246	253	203
55	193	178	180	161	165	156
65	92	110	108	100	105	106
75	45	53	70	88	99	75
85	15	29	52	63	71	51
90	5	23	42	56	59	
95	45	111	171	181	226	172
105	203	305	448	516	560	432
115	378	437	594	679	716	557
125	541	571	692	793	830	613
135	692	702	780	850	880	602
145	818	820	855	898	919	538
155	918	913	933	942	953	430
165	986	980	987	992	998	278
175	1023	1022	1022	1019	1021	98
180	1029	1029	1029	1029	1029	



Coefficients of Utilization (%)

Ceiling:	80				70				50				0
	70	50	30	10	70	50	30	10	50	30	10	0	
0 RCR	85	85	85	85	75	75	75	58	58	58	21		
1	77	74	70	68	69	66	63	51	49	47	17		
2	70	64	59	55	62	57	53	44	42	39	15		
3	64	57	51	46	57	51	46	39	36	33	13		
4	59	50	44	39	52	45	40	35	31	28	11		
5	54	45	38	33	48	40	34	31	27	24	10		
6	50	40	33	29	44	36	30	28	24	21	8		
7	46	36	30	25	41	32	27	25	21	19	8		
8	42	33	26	22	38	29	24	23	19	16	7		
9	39	30	24	20	35	27	21	21	17	15	6		
10	37	27	21	17	33	24	19	19	16	13	6		

Based on a floor reflectance of 0.2

Avg. Luminance (cd/m²)

Vertical Angle	Horizontal Angle		
	0	45	90
55	1371	936	772
65	887	671	569
75	709	563	661
85	701	617	644

IES files for this and other photometric options can be downloaded online at www.ledalite.com

Additional Information

Modules

Module length excludes endcaps.
Nominal mount spacing for individually mounted modules.

Module	Mount Spacing
4ft	4' 0"
8ft	8' 0"
12ft	12' 0"

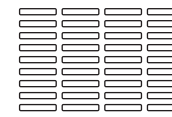
Endcap



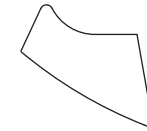
Lower Optics



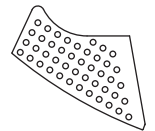
Round Perf Housing



Slot Perf Housing



Solid Baffle

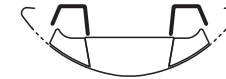


Round Perf Baffle

Upper Optics



D Down Kit



Y Lamp Separator

Specifications

Due to continuing product improvements, Ledalite reserves the right to change specifications without notice.

Housing

Die-formed 20 gauge cold-rolled steel.

Weight

3.0 lb/ft.

Optical System

Direct/Indirect: Constructed of 96% reflective white steel to produce a direct/indirect distribution. Baffles are white blades spaced 2-7/16" apart and are 3/4" deep (18 cells per 4ft section). Perforation of baffles and housing is optional. Perforated housing options include acrylic overlay. Optional field-installable Variable Optics kits provide additional downlight as required.

Semi-Indirect: Constructed of 96% reflective white steel with perforated housing and acrylic overlay to produce a semi-indirect distribution. Perforated housing available in round or slot perforation patterns.

Indirect: Constructed of 96% reflective white steel to produce an indirect distribution.

High performance options use additional highly-specular aluminum reflectors.

Endcaps

Die-cast endcap or optional die-cast sculptured endcap.

Joints

Self-aligning joining system with hands-free pre-joining wire access.

Mounting

Aircraft cable gripper is tamper-resistant and provides infinite vertical adjustment capability. Aircraft cable, crimp and cable gripper independently tested to meet stringent safety requirements.

Electrical

Factory pre-wired to section ends with quick-wire connectors.

Ballast

Electronic.

Approvals

Certified to UL and CSA standards.

Finish

High-quality powder coat. Available in Ledalite Standard White (textured matte finish), and a selection of other factory and customer-specified colors. Consult factory for details.