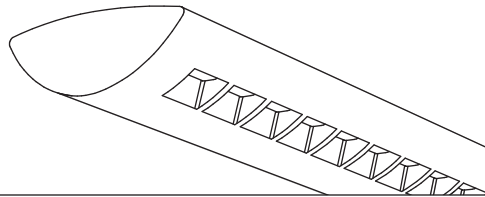


Suspended  
 Direct/Indirect  
 2 T8 - Solid Housing



Project Name

Spec Type

Notes




## Order Guide

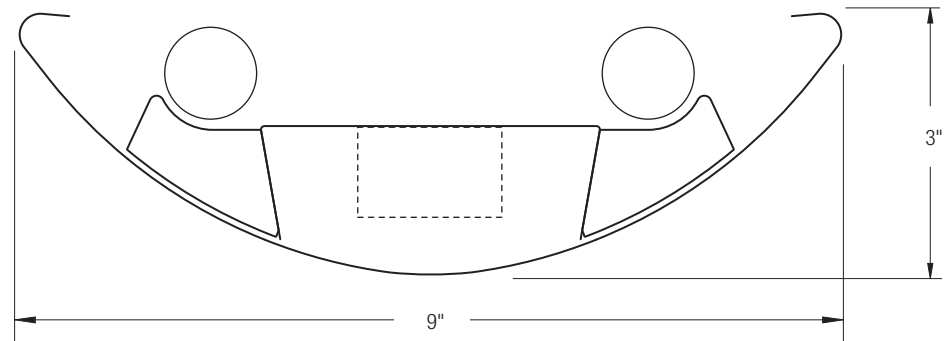
Some combinations of product options may not be available. Consult factory for assistance with your specification.

9506	T02			-		-		-				
Product Series & Type Centris Direct/Indirect	Lamping 2 T8	Lower Optics <b>C</b> Solid Baffle <b>R</b> Round Perf Baffle	Upper Optics <b>N</b> None <b>D</b> Down Kit <b>Y</b> Lamp Separator	Run Length <i>Enter the total run length in feet (4ft increments)</i>	Wiring <b>1</b> 1 cct <b>2</b> 2 cct <b>3</b> 1 cct w/ Emergency cct <b>4</b> 2 cct w/ Emergency cct <b>5</b> 1 cct w/ Battery Pack <b>6</b> 2 cct w/ Battery Pack <b>7</b> 1 cct Dimming	Voltage <b>1</b> 120V <b>2</b> 277V <b>3</b> 347V	Ballast <b>E</b> Standard Ballast  Consult website for ballast manufacturer information	Color & Finish <b>W</b> Standard White <b>C</b> Factory Color <b>X</b> Custom Color  Consult website for color and finish options				
		See details on reverse	See details on reverse	See details on reverse	Consult website for complete list of standard wiring options	<h3>Mounting Hardware</h3> <table border="1"> <thead> <tr> <th>Mount Type</th> <th>Suspension Length</th> </tr> </thead> <tbody> <tr> <td>Consult separate mounting spec sheet for mount type options</td> <td><i>Enter distance from ceiling to top of fixture in inches</i></td> </tr> </tbody> </table>			Mount Type	Suspension Length	Consult separate mounting spec sheet for mount type options	<i>Enter distance from ceiling to top of fixture in inches</i>
Mount Type	Suspension Length											
Consult separate mounting spec sheet for mount type options	<i>Enter distance from ceiling to top of fixture in inches</i>											

## Upgrades & Accessories

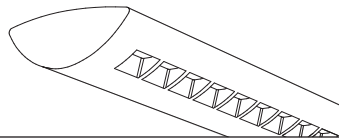
Please indicate with check mark.

<input type="checkbox"/> Lamps Included	<input type="checkbox"/> Lamps Included and Installed
<input type="checkbox"/> Sculptured Endcap See details on reverse	<input type="checkbox"/> Dust Cover 
<input type="checkbox"/> Response Daylight (Integrated Controls) For details visit <a href="http://www.ledalite.com/response">www.ledalite.com/response</a>	



# Centris®

Suspended  
Direct/Indirect  
2 T8 - Solid Housing



## Photometry Optics RN Round Perf Baffle

### Report Summary

**Report #** 2101580  
**Filename** 9506T02CN-RN.ies  
**Efficiency** 82.1%

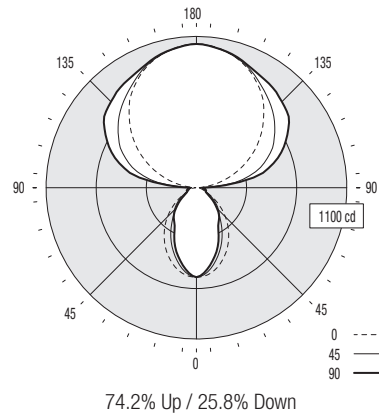
**Peak Candela Value\*** 1045 @ 180°  
**Peak to Zenith Ratio\*** 1 : 1

\* Between 90-180° vertical angle

Meets RP-1-04 recommendations for VDT-Normal spaces

### Candela Distribution

Vertical Angle	Horizontal Angle					Zonal Lumens
	0	22.5	45	67.5	90	
0	651	651	651	651	651	
5	646	637	636	619	623	60
15	598	567	548	515	516	153
25	515	463	437	384	384	199
35	412	354	314	281	286	202
45	300	249	227	212	212	182
55	185	163	155	131	128	135
65	86	99	86	72	76	86
75	43	46	55	68	73	60
85	15	26	42	48	51	41
90	5	20	35	42	47	
95	48	117	187	172	214	169
105	205	299	448	501	545	426
115	376	434	596	673	706	555
125	544	569	700	795	827	613
135	693	705	788	855	884	606
145	831	826	863	906	925	544
155	931	922	942	949	957	434
165	1001	994	1000	1003	1006	282
175	1040	1038	1038	1035	1037	101
180	1045	1045	1045	1045	1045	



### Coefficients of Utilization (%)

Ceiling: Walk:	80				70				50				0			
	70	50	30	10	70	50	30	10	70	50	30	10	70	50	30	10
0 RCR	82	82	82	82	73	73	73	56	56	56	19					
1	75	72	69	66	67	64	61	49	47	46	16					
2	69	63	58	54	61	56	52	43	40	38	13					
3	63	55	50	45	55	49	45	38	35	32	12					
4	57	49	43	38	51	44	39	34	30	27	10					
5	53	44	37	33	46	39	34	30	26	24	9					
6	48	39	33	28	43	35	30	27	23	21	8					
7	45	35	29	25	40	31	26	25	21	18	7					
8	41	32	26	22	37	29	23	22	19	16	6					
9	38	29	23	19	34	26	21	20	17	14	6					
10	36	26	21	17	32	24	19	19	15	13	5					

Based on a floor reflectance of 0.2

### Avg. Luminance (cd/m<sup>2</sup>)

Vertical Angle	Horizontal Angle		
	0	45	90
55	1315	806	599
65	829	535	412
75	677	442	488
85	701	499	463

IES files for this and other photometric options can be downloaded online at [www.ledalite.com](http://www.ledalite.com)

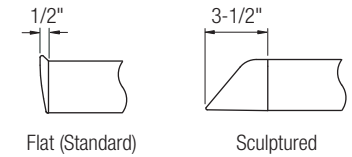
## Additional Information

### Modules

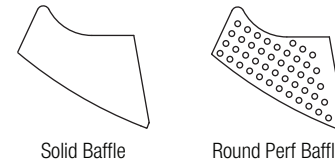
Module length excludes endcaps.  
Nominal mount spacing for individually mounted modules.

Module	Mount Spacing
4ft	4' 0"
8ft	8' 0"
12ft	12' 0"

### Endcap



### Lower Optics



### Upper Optics



## Specifications

Due to continuing product improvements, Ledalite reserves the right to change specifications without notice.

### Housing

Die-formed 20 gauge cold-rolled steel.

### Weight

3.0 lb/ft.

### Optical System

Direct/Indirect: Constructed of 96% reflective white steel to produce a direct/indirect distribution. Baffles are white blades spaced 2-7/16" apart and are 3/4" deep (18 cells per 4ft section). Perforation of baffles and housing is optional. Perforated housing options include acrylic overlay. Optional field-installable Variable Optics kits provide additional downlight as required.

Semi-Indirect: Constructed of 96% reflective white steel with perforated housing and acrylic overlay to produce a semi-indirect distribution. Perforated housing available in round or slot perforation patterns.

Indirect: Constructed of 96% reflective white steel to produce an indirect distribution.

High performance options use additional highly-specular aluminum reflectors.

### Endcaps

Die-cast endcap or optional die-cast sculptured endcap.

### Joints

Self-aligning joining system with hands-free pre-joining wire access.

### Mounting

Aircraft cable gripper is tamper-resistant and provides infinite vertical adjustment capability. Aircraft cable, crimp and cable gripper independently tested to meet stringent safety requirements.

### Electrical

Factory pre-wired to section ends with quick-wire connectors.

### Ballast

Electronic.

### Approvals

Certified to UL and CSA standards.

### Finish

High-quality powder coat. Available in Ledalite Standard White (textured matte finish), and a selection of other factory and customer-specified colors. Consult factory for details.