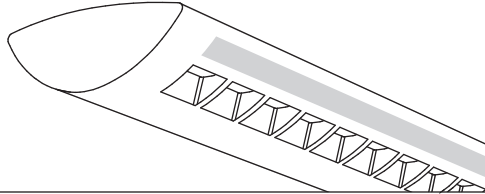


Centris®



Suspended
 Direct/Indirect
 2 T8 - Perf Housing



Project Name

Spec Type

Notes




Order Guide

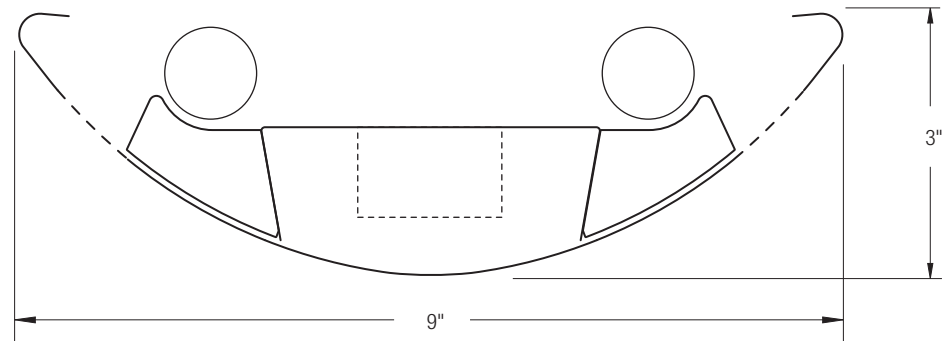
Some combinations of product options may not be available. Consult factory for assistance with your specification.

9506	T02			-		-		-			
Product Series & Type Centris Direct/Indirect	Lamping 2 T8	Lower Optics M Round Perf Housing / Solid Baffle T Round Perf Housing / Round Perf Baffle U Slot Perf Housing / Solid Baffle Z Slot Perf Housing / Round Perf Baffle	Upper Optics N None D Down Kit Y Lamp Separator	Run Length <i>Enter the total run length in feet (4ft increments)</i>	Wiring 1 1 cct 2 2 cct 3 1 cct w/ Emergency cct 4 2 cct w/ Emergency cct 5 1 cct w/ Battery Pack 6 2 cct w/ Battery Pack 7 1 cct Dimming	Voltage 1 120V 2 277V 3 347V	Ballast E Standard Ballast Consult website for ballast manufacturer information	Color & Finish W Standard White C Factory Color X Custom Color Consult website for color and finish options	Mounting Hardware <input type="text"/> <input type="text"/> Mount Type <input type="text"/> Suspension Length <input type="text"/> Consult separate mounting spec sheet for mount type options <i>Enter distance from ceiling to top of fixture in inches</i>		
		See details on reverse	See details on reverse	See details on reverse	Consult website for complete list of standard wiring options						

Upgrades & Accessories

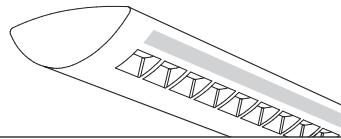
Please indicate with check mark.

<input type="checkbox"/> Lamps Included	<input type="checkbox"/> Lamps Included and Installed
<input type="checkbox"/> Sculptured Endcap See details on reverse	<input type="checkbox"/> Dust Cover 
<input type="checkbox"/> Response Daylight (Integrated Controls) For details visit www.ledalite.com/response	



Centris®

Suspended
Direct/Indirect
2 T8 - Perf Housing



Photometry Optics MY Round Perf Housing / Solid Baffle w/ Lamp Separator

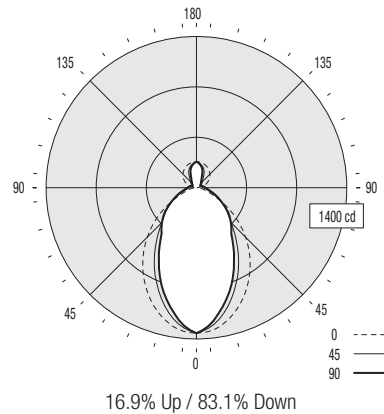
Report Summary

Report # 9900053
Filename 9506T02MY-TY.ies
Efficiency 49.6%

Peak Candela Value* N/A
Peak to Zenith Ratio* N/A : 1
* Between 90-180° vertical angle

Candela Distribution

Vertical Angle	Horizontal Angle					Zonal Lumens
	0	22.5	45	67.5	90	
0	1346	1346	1346	1346	1346	125
5	1335	1322	1305	1286	1285	320
15	1238	1190	1135	1083	1072	423
25	1074	988	907	841	825	431
35	871	763	665	597	582	384
45	646	541	455	446	452	306
55	409	338	327	332	336	209
65	185	198	210	218	226	127
75	79	92	124	138	144	75
85	21	45	75	91	98	54
90	3	34	61	79	85	48
95	15	28	53	70	75	52
105	69	23	40	54	59	63
115	112	51	34	43	48	74
125	147	83	55	44	43	80
135	177	126	76	69	62	78
145	202	168	110	85	78	60
155	221	200	169	135	122	23
165	233	222	209	197	192	
175	240	238	233	230	228	
180	241	241	241	241	241	



Coefficients of Utilization (%)

Ceiling: Walk:	80				70				50				0				
	70	50	30	10	70	50	30	10	70	50	30	10	70	50	30	10	
0 RCR	57	57	57	57	54	54	54	50	50	50	40	40	40	40	40	40	40
1	52	50	48	46	50	48	46	44	42	41	34	34	34	34	34	34	34
2	47	44	41	38	45	42	39	39	37	35	29	29	29	29	29	29	29
3	44	39	35	32	42	37	34	35	32	30	25	25	25	25	25	25	25
4	40	35	31	28	38	34	30	31	28	26	22	22	22	22	22	22	22
5	37	31	27	24	35	30	26	28	25	23	19	19	19	19	19	19	19
6	34	28	24	21	33	27	24	26	22	20	17	17	17	17	17	17	17
7	32	26	22	19	31	25	21	24	20	18	15	15	15	15	15	15	15
8	30	24	20	17	29	23	19	22	18	16	14	14	14	14	14	14	14
9	28	22	18	16	27	21	18	20	17	15	13	13	13	13	13	13	13
10	26	20	17	14	25	20	16	19	16	13	12	12	12	12	12	12	12

Based on a floor reflectance of 0.2

Avg. Luminance (cd/m²)

Vertical Angle	Horizontal Angle		
	0	45	90
55	2906	1700	1571
65	1784	1305	1225
75	1244	996	962
85	982	890	889

IES files for this and other photometric options can be downloaded online at www.ledalite.com

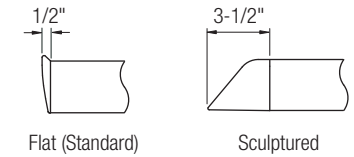
Additional Information

Modules

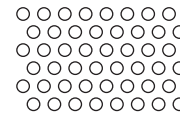
Module length excludes endcaps.
Nominal mount spacing for individually mounted modules.

Module	Mount Spacing
4ft	4' 0"
8ft	8' 0"
12ft	12' 0"

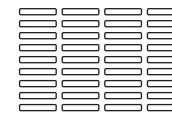
Endcap



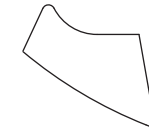
Lower Optics



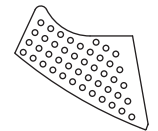
Round Perf Housing



Slot Perf Housing

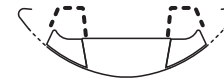


Solid Baffle



Round Perf Baffle

Upper Optics



D Down Kit



Y Lamp Separator

Specifications

Due to continuing product improvements, Ledalite reserves the right to change specifications without notice.

Housing

Die-formed 20 gauge cold-rolled steel.

Weight

3.0 lb/ft.

Optical System

Direct/Indirect: Constructed of 96% reflective white steel to produce a direct/indirect distribution. Baffles are white blades spaced 2-7/16" apart and are 3/4" deep (18 cells per 4ft section). Perforation of baffles and housing is optional. Perforated housing options include acrylic overlay. Optional field-installable Variable Optics kits provide additional downlight as required.

Semi-Indirect: Constructed of 96% reflective white steel with perforated housing and acrylic overlay to produce a semi-indirect distribution. Perforated housing available in round or slot perforation patterns.

Indirect: Constructed of 96% reflective white steel to produce an indirect distribution.

High performance options use additional highly-specular aluminum reflectors.

Endcaps

Die-cast endcap or optional die-cast sculptured endcap.

Joints

Self-aligning joining system with hands-free pre-joining wire access.

Mounting

Aircraft cable gripper is tamper-resistant and provides infinite vertical adjustment capability. Aircraft cable, crimp and cable gripper independently tested to meet stringent safety requirements.

Electrical

Factory pre-wired to section ends with quick-wire connectors.

Ballast

Electronic.

Approvals

Certified to UL and CSA standards.

Finish

High-quality powder coat. Available in Ledalite Standard White (textured matte finish), and a selection of other factory and customer-specified colors. Consult factory for details.