

Centris®



Suspended
Direct/Indirect
2 T8 - Perf Housing



Project Name

Spec Type

Notes




Order Guide

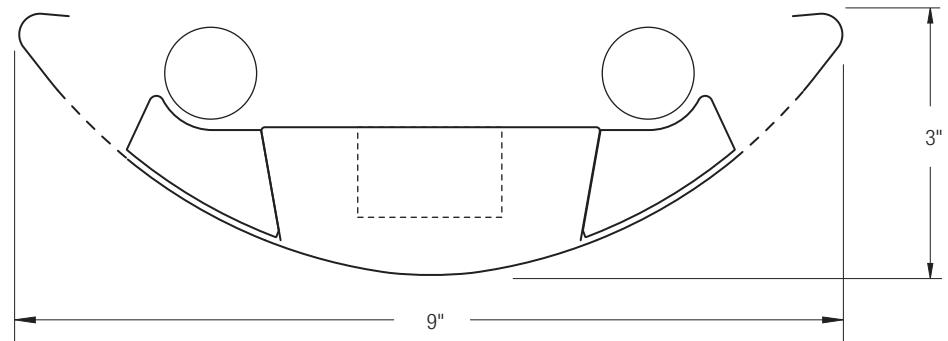
Some combinations of product options may not be available. Consult factory for assistance with your specification.

| 9506 | T02 | | | - | | - | | - | | | |
|--|-----------------|--|---|--|--|--|--|--|--|--|--|
| Product Series & Type Centris Direct/Indirect | Lamping 2 T8 | Lower Optics M Round Perf Housing / Solid Baffle T Round Perf Housing / Round Perf Baffle U Slot Perf Housing / Solid Baffle Z Slot Perf Housing / Round Perf Baffle | Upper Optics N None D Down Kit Y Lamp Separator | Run Length <i>Enter the total run length in feet (4ft increments)</i> | Wiring 1 1 cct 2 2 cct 3 1 cct w/ Emergency cct 4 2 cct w/ Emergency cct 5 1 cct w/ Battery Pack 6 2 cct w/ Battery Pack 7 1 cct Dimming | Voltage 1 120V 2 277V 3 347V | Ballast E Standard Ballast Consult website for ballast manufacturer information | Color & Finish W Standard White C Factory Color X Custom Color Consult website for color and finish options | Mounting Hardware <input type="text"/> <input type="text"/> Mount Type <input type="text"/> Suspension Length <input type="text"/> Consult separate mounting spec sheet for mount type options <i>Enter distance from ceiling to top of fixture in inches</i> | | |
| | | See details on reverse | See details on reverse | See details on reverse | Consult website for complete list of standard wiring options | | | | | | |

Upgrades & Accessories

Please indicate with check mark.

| | |
|--|--|
| <input type="checkbox"/> Lamps Included | <input type="checkbox"/> Lamps Included and Installed |
| <input type="checkbox"/> Sculptured Endcap See details on reverse | <input type="checkbox"/> Dust Cover  |
| <input type="checkbox"/> Response Daylight (Integrated Controls) For details visit www.ledalite.com/response | |



Centris®

Suspended
Direct/Indirect
2 T8 - Perf Housing



Photometry Optics MN Round Perf Housing / Solid Baffle

Report Summary

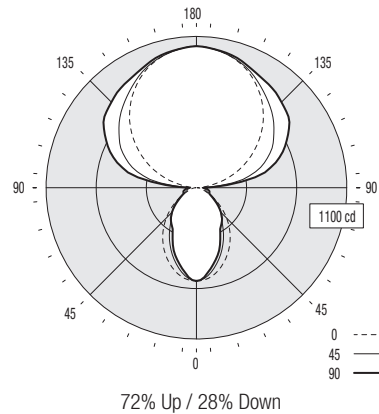
Report # 2101579
Filename 9506T02MN-TN.ies
Efficiency 84.1%

Peak Candela Value* 1029 @ 180°
Peak to Zenith Ratio* 1 : 1

* Between 90-180° vertical angle

Candela Distribution

| Vertical Angle | Horizontal Angle | | | | | Zonal Lumens |
|----------------|------------------|------|------|------|------|--------------|
| | 0 | 22.5 | 45 | 67.5 | 90 | |
| 0 | 678 | 678 | 678 | 678 | 678 | |
| 5 | 673 | 668 | 662 | 649 | 654 | 63 |
| 15 | 622 | 595 | 572 | 542 | 543 | 161 |
| 25 | 535 | 486 | 457 | 414 | 412 | 210 |
| 35 | 431 | 374 | 334 | 312 | 319 | 218 |
| 45 | 312 | 268 | 251 | 246 | 253 | 203 |
| 55 | 193 | 178 | 180 | 161 | 165 | 156 |
| 65 | 92 | 110 | 108 | 100 | 105 | 106 |
| 75 | 45 | 53 | 70 | 88 | 99 | 75 |
| 85 | 15 | 29 | 52 | 63 | 71 | 51 |
| 90 | 5 | 23 | 42 | 56 | 59 | |
| 95 | 45 | 111 | 171 | 181 | 226 | 172 |
| 105 | 203 | 305 | 448 | 516 | 560 | 432 |
| 115 | 378 | 437 | 594 | 679 | 716 | 557 |
| 125 | 541 | 571 | 692 | 793 | 830 | 613 |
| 135 | 692 | 702 | 780 | 850 | 880 | 602 |
| 145 | 818 | 820 | 855 | 898 | 919 | 538 |
| 155 | 918 | 913 | 933 | 942 | 953 | 430 |
| 165 | 986 | 980 | 987 | 992 | 998 | 278 |
| 175 | 1023 | 1022 | 1022 | 1019 | 1021 | 98 |
| 180 | 1029 | 1029 | 1029 | 1029 | 1029 | |



Coefficients of Utilization (%)

| Ceiling: | 80 | | | | 70 | | | | 50 | | | | 0 |
|----------|----|----|----|----|----|----|----|----|----|----|----|---|---|
| | 70 | 50 | 30 | 10 | 70 | 50 | 30 | 10 | 50 | 30 | 10 | 0 | |
| 0 RCR | 85 | 85 | 85 | 85 | 75 | 75 | 75 | 58 | 58 | 58 | 21 | | |
| 1 | 77 | 74 | 70 | 68 | 69 | 66 | 63 | 51 | 49 | 47 | 17 | | |
| 2 | 70 | 64 | 59 | 55 | 62 | 57 | 53 | 44 | 42 | 39 | 15 | | |
| 3 | 64 | 57 | 51 | 46 | 57 | 51 | 46 | 39 | 36 | 33 | 13 | | |
| 4 | 59 | 50 | 44 | 39 | 52 | 45 | 40 | 35 | 31 | 28 | 11 | | |
| 5 | 54 | 45 | 38 | 33 | 48 | 40 | 34 | 31 | 27 | 24 | 10 | | |
| 6 | 50 | 40 | 33 | 29 | 44 | 36 | 30 | 28 | 24 | 21 | 8 | | |
| 7 | 46 | 36 | 30 | 25 | 41 | 32 | 27 | 25 | 21 | 19 | 8 | | |
| 8 | 42 | 33 | 26 | 22 | 38 | 29 | 24 | 23 | 19 | 16 | 7 | | |
| 9 | 39 | 30 | 24 | 20 | 35 | 27 | 21 | 21 | 17 | 15 | 6 | | |
| 10 | 37 | 27 | 21 | 17 | 33 | 24 | 19 | 19 | 16 | 13 | 6 | | |

Based on a floor reflectance of 0.2

Avg. Luminance (cd/m²)

| Vertical Angle | Horizontal Angle | | |
|----------------|------------------|-----|-----|
| | 0 | 45 | 90 |
| 55 | 1371 | 936 | 772 |
| 65 | 887 | 671 | 569 |
| 75 | 709 | 563 | 661 |
| 85 | 701 | 617 | 644 |

IES files for this and other photometric options can be downloaded online at www.ledalite.com

Additional Information

Modules

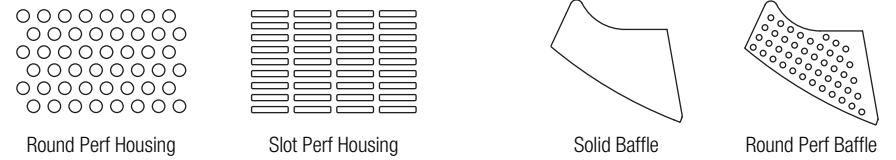
Module length excludes endcaps.
Nominal mount spacing for individually mounted modules.

| Module | Mount Spacing |
|--------|---------------|
| 4ft | 4' 0" |
| 8ft | 8' 0" |
| 12ft | 12' 0" |

Endcap



Lower Optics



Upper Optics



Specifications

Due to continuing product improvements, Ledalite reserves the right to change specifications without notice.

Housing

Die-formed 20 gauge cold-rolled steel.

Weight

3.0 lb/ft.

Optical System

Direct/Indirect: Constructed of 96% reflective white steel to produce a direct/indirect distribution. Baffles are white blades spaced 2-7/16" apart and are 3/4" deep (18 cells per 4ft section). Perforation of baffles and housing is optional. Perforated housing options include acrylic overlay. Optional field-installable Variable Optics kits provide additional downlight as required.

Semi-Indirect: Constructed of 96% reflective white steel with perforated housing and acrylic overlay to produce a semi-indirect distribution. Perforated housing available in round or slot perforation patterns.

Indirect: Constructed of 96% reflective white steel to produce an indirect distribution.

High performance options use additional highly-specular aluminum reflectors.

Endcaps

Die-cast endcap or optional die-cast sculptured endcap.

Joints

Self-aligning joining system with hands-free pre-joining wire access.

Mounting

Aircraft cable gripper is tamper-resistant and provides infinite vertical adjustment capability. Aircraft cable, crimp and cable gripper independently tested to meet stringent safety requirements.

Electrical

Factory pre-wired to section ends with quick-wire connectors.

Ballast

Electronic.

Approvals

Certified to UL and CSA standards.

Finish

High-quality powder coat. Available in Ledalite Standard White (textured matte finish), and a selection of other factory and customer-specified colors. Consult factory for details.