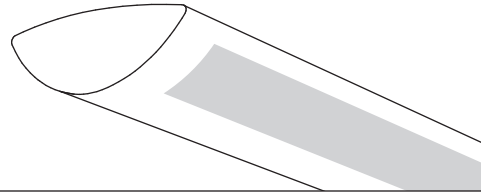


Suspended  
Semi-Indirect  
2 T8



Project Name

Spec Type

Notes


## Order Guide

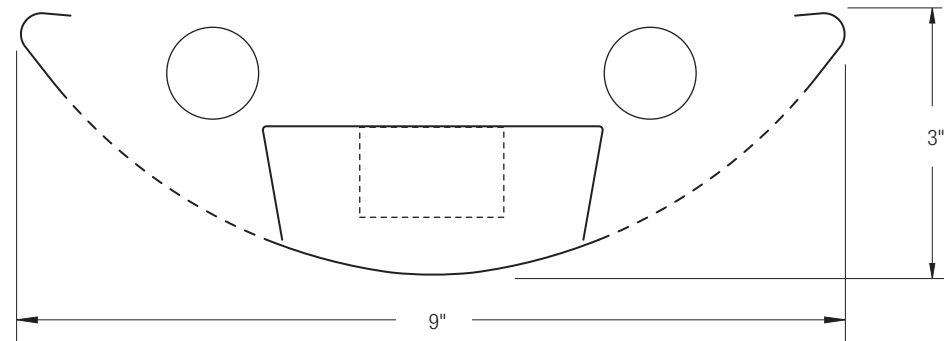
Some combinations of product options may not be available. Consult factory for assistance with your specification.

<b>9505</b>	<b>T02</b>	<input type="text"/>	<input type="text"/>	-	<input type="text"/>	-	<input type="text"/>	-	<input type="text"/>	<input type="text"/>
<b>Product Series &amp; Type</b> Centris Semi-Indirect	<b>Lamping</b> 2 T8	<b>Lower Optics</b> L Round Perf Housing I Slot Perf Housing	<b>Upper Optics</b> N None		<b>Run Length</b> <i>Enter the total run length in feet (4ft increments)</i>	<b>Wiring</b> 1 1 cct 2 2 cct 3 1 cct w/ Emergency cct 4 2 cct w/ Emergency cct 5 1 cct w/ Battery Pack 6 2 cct w/ Battery Pack 7 1 cct Dimming	<b>Voltage</b> 1 120V 2 277V 3 347V	<b>Ballast</b> E Standard Ballast  Consult website for ballast manufacturer information	<b>Color &amp; Finish</b> W Standard White C Factory Color X Custom Color  Consult website for color and finish options	
		See details on reverse	See details on reverse		See details on reverse	Consult website for complete list of standard wiring options	<b>Mounting Hardware</b> <input type="text"/> <input type="text"/> <b>Mount Type</b> <input type="text"/> <b>Suspension Length</b> <input type="text"/> Consult separate mounting spec sheet for mount type options <i>Enter distance from ceiling to top of fixture in inches</i>			

## Upgrades & Accessories

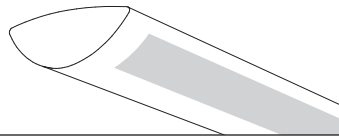
Please indicate with check mark.

<input type="checkbox"/> Lamps Included	<input type="checkbox"/> Lamps Included and Installed
<input type="checkbox"/> Sculptured Endcap See details on reverse	<input type="checkbox"/> Dust Cover 
<input type="checkbox"/> Response Daylight (Integrated Controls) For details visit <a href="http://www.ledalite.com/response">www.ledalite.com/response</a>	



# Centris®

Suspended  
Semi-Indirect  
2 T8



## Photometry Optics IN Slot Perf Housing

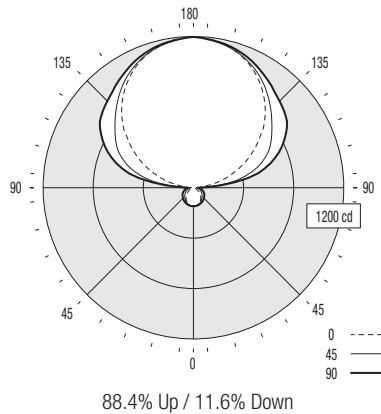
### Report Summary

Report # 2101586 Peak Candela Value\* 1196 @ 180°  
 Filename 9505T02IN.ies Peak to Zenith Ratio\* 1 : 1  
 Efficiency 78.6% \* Between 90-180° vertical angle

Meets RP-1-04 recommendations for VDT-Normal spaces

### Candela Distribution

Vertical Angle	Horizontal Angle					Zonal Lumens
	0	22.5	45	67.5	90	
0	147	147	147	147	147	
5	146	145	146	146	146	14
15	137	137	140	142	144	39
25	122	122	130	133	137	60
35	103	102	114	122	129	71
45	75	81	98	110	117	76
55	50	59	82	97	106	71
65	26	40	66	82	92	62
75	15	24	48	64	73	48
85	7	12	31	45	54	33
90	3	14	26	39	48	
95	45	127	188	174	222	175
105	242	337	481	538	588	463
115	437	484	656	744	780	615
125	628	649	764	869	912	681
135	809	811	874	942	972	679
145	954	950	988	1019	1038	619
155	1070	1059	1082	1096	1107	498
165	1149	1137	1147	1153	1158	324
175	1190	1186	1185	1184	1185	114
180	1196	1196	1196	1196	1196	



### Coefficients of Utilization (%)

Ceiling: Walk:	80				70				50				0
	70	50	30	10	70	50	30	10	50	30	10	0	
0 RCR	77	77	77	77	66	66	66	48	48	48	7		
1	69	66	63	60	60	57	55	41	40	38	6		
2	63	57	53	49	54	50	46	36	33	31	5		
3	57	50	45	40	49	44	39	31	29	26	4		
4	52	44	38	34	45	39	34	28	25	22	3		
5	48	39	33	29	41	34	29	25	21	19	3		
6	44	35	29	24	38	30	25	22	19	16	2		
7	40	31	25	21	35	27	22	20	16	14	2		
8	37	28	22	18	32	24	20	18	14	12	2		
9	34	25	20	16	30	22	17	16	13	11	1		
10	32	23	18	14	28	20	16	15	11	9	1		

Based on a floor reflectance of 0.2

### Avg. Luminance (cd/m²)

Vertical Angle	Horizontal Angle		
	0	45	90
55	355	426	496
65	251	410	499
75	236	386	488
85	327	368	490

IES files for this and other photometric options can be downloaded online at [www.ledalite.com](http://www.ledalite.com)

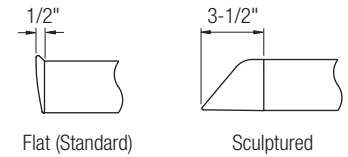
## Additional Information

### Modules

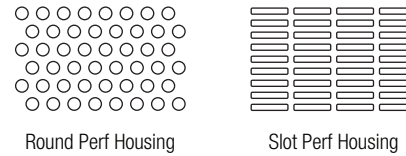
Module length excludes endcaps.  
Nominal mount spacing for individually mounted modules.

Module	Mount Spacing
4ft	4' 0"
8ft	8' 0"
12ft	12' 0"

### Endcap



### Lower Optics



## Specifications

Due to continuing product improvements, Ledalite reserves the right to change specifications without notice.

### Housing

Die-formed 20 gauge cold-rolled steel.

### Weight

3.0 lb/ft.

### Optical System

Direct/Indirect: Constructed of 96% reflective white steel to produce a direct/indirect distribution. Baffles are white blades spaced 2-7/16" apart and are 3/4" deep (18 cells per 4ft section). Perforation of baffles and housing is optional. Perforated housing options include acrylic overlay. Optional field-installable Variable Optics kits provide additional downlight as required.

Semi-Indirect: Constructed of 96% reflective white steel with perforated housing and acrylic overlay to produce a semi-indirect distribution. Perforated housing available in round or slot perforation patterns.

Indirect: Constructed of 96% reflective white steel to produce an indirect distribution.

High performance options use additional highly-specular aluminum reflectors.

### Endcaps

Die-cast endcap or optional die-cast sculptured endcap.

### Joints

Self-aligning joining system with hands-free pre-joining wire access.

### Mounting

Aircraft cable gripper is tamper-resistant and provides infinite vertical adjustment capability. Aircraft cable, crimp and cable gripper independently tested to meet stringent safety requirements.

### Electrical

Factory pre-wired to section ends with quick-wire connectors.

### Ballast

Electronic.

### Approvals

Certified to UL and CSA standards.

### Finish

High-quality powder coat. Available in Ledalite Standard White (textured matte finish), and a selection of other factory and customer-specified colors. Consult factory for details.