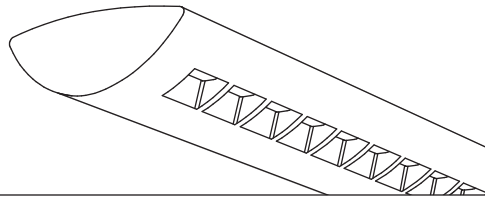


Centris®



Suspended
 Direct/Indirect
 2 T8 - Solid Housing



Project Name

Spec Type

Notes




Order Guide

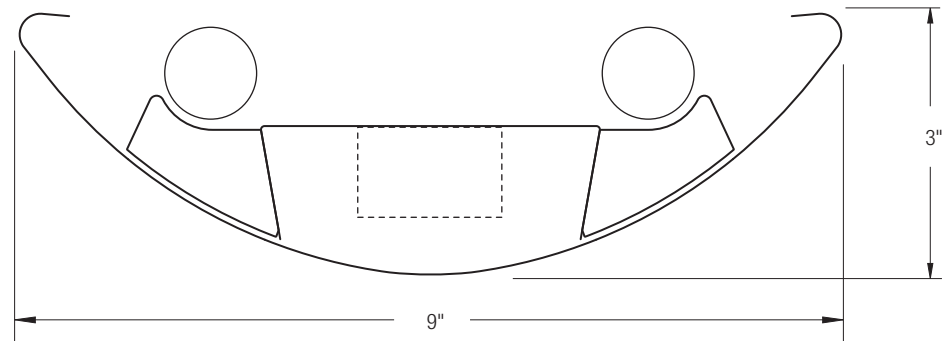
Some combinations of product options may not be available. Consult factory for assistance with your specification.

9506	T02			-		-		-	
Product Series & Type Centris Direct/Indirect	Lamping 2 T8	Lower Optics C Solid Baffle R Round Perf Baffle	Upper Optics N None D Down Kit Y Lamp Separator	Run Length <i>Enter the total run length in feet (4ft increments)</i>	Wiring 1 1 cct 2 2 cct 3 1 cct w/ Emergency cct 4 2 cct w/ Emergency cct 5 1 cct w/ Battery Pack 6 2 cct w/ Battery Pack 7 1 cct Dimming	Voltage 1 120V 2 277V 3 347V	Ballast E Standard Ballast Consult website for ballast manufacturer information	Color & Finish W Standard White C Factory Color X Custom Color Consult website for color and finish options	
Mounting Hardware									
<input type="text"/>									
Mount Type						Suspension Length			
Consult separate mounting spec sheet for mount type options						<i>Enter distance from ceiling to top of fixture in inches</i>			

Upgrades & Accessories

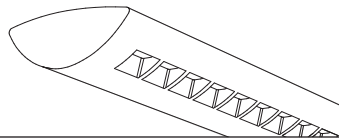
Please indicate with check mark.

<input type="checkbox"/> Lamps Included	<input type="checkbox"/> Lamps Included and Installed
<input type="checkbox"/> Sculptured Endcap See details on reverse	<input type="checkbox"/> Dust Cover 
<input type="checkbox"/> Response Daylight (Integrated Controls) For details visit www.ledalite.com/response	



Centris®

Suspended
Direct/Indirect
2 T8 - Solid Housing



Photometry Optics CY Solid Baffle w/ Lamp Separator

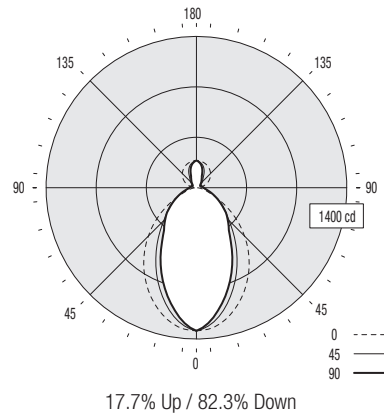
Report Summary

Report # 9900051
Filename 9506T02CY-RY.ies
Efficiency 47.4%

Peak Candela Value* N/A
Peak to Zenith Ratio* N/A : 1
* Between 90-180° vertical angle

Candela Distribution

Vertical Angle	Horizontal Angle					Zonal Lumens
	0	22.5	45	67.5	90	
0	1325	1325	1325	1325	1325	
5	1314	1301	1284	1264	1259	123
15	1217	1168	1110	1057	1040	313
25	1055	966	879	811	788	411
35	856	743	639	566	543	414
45	633	520	429	411	410	364
55	400	324	302	296	295	284
65	182	189	191	191	194	190
75	77	88	111	117	119	112
85	20	44	66	75	78	65
90	3	33	55	65	68	
95	15	26	48	60	62	47
105	71	22	38	50	51	46
115	117	46	34	43	46	51
125	154	80	50	43	42	61
135	186	124	78	62	59	75
145	211	173	109	88	83	80
155	231	209	171	128	118	79
165	244	233	219	202	197	61
175	251	249	246	241	240	24
180	252	252	252	252	252	



Coefficients of Utilization (%)

Ceiling:	80				70				50				0				
	70	50	30	10	70	50	30	10	50	30	10	0	70	50	30	10	0
0 RCR	54	54	54	54	52	52	52	47	47	47	38						
1	49	47	46	44	47	45	44	42	41	39	32						
2	45	42	39	37	43	40	38	37	35	33	28						
3	42	37	34	31	40	36	33	33	31	29	24						
4	38	33	30	27	37	32	29	30	27	25	21						
5	36	30	26	23	34	29	26	27	24	22	19						
6	33	27	23	21	32	26	23	25	22	19	17						
7	31	25	21	18	29	24	21	23	20	17	15						
8	29	23	19	17	28	22	19	21	18	16	14						
9	27	21	17	15	26	20	17	19	16	14	12						
10	25	19	16	14	24	19	16	18	15	13	11						

Based on a floor reflectance of 0.2

Avg. Luminance (cd/m²)

Vertical Angle	Horizontal Angle		
	0	45	90
55	2842	1570	1380
65	1755	1187	1051
75	1213	892	795
85	935	784	707

IES files for this and other photometric options can be downloaded online at www.ledalite.com

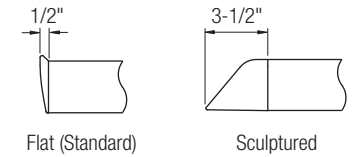
Additional Information

Modules

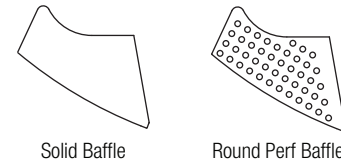
Module length excludes endcaps.
Nominal mount spacing for individually mounted modules.

Module	Mount Spacing
4ft	4' 0"
8ft	8' 0"
12ft	12' 0"

Endcap



Lower Optics



Upper Optics



Specifications

Due to continuing product improvements, Ledalite reserves the right to change specifications without notice.

Housing

Die-formed 20 gauge cold-rolled steel.

Weight

3.0 lb/ft.

Optical System

Direct/Indirect: Constructed of 96% reflective white steel to produce a direct/indirect distribution. Baffles are white blades spaced 2-7/16" apart and are 3/4" deep (18 cells per 4ft section). Perforation of baffles and housing is optional. Perforated housing options include acrylic overlay. Optional field-installable Variable Optics kits provide additional downlight as required.

Semi-Indirect: Constructed of 96% reflective white steel with perforated housing and acrylic overlay to produce a semi-indirect distribution. Perforated housing available in round or slot perforation patterns.

Indirect: Constructed of 96% reflective white steel to produce an indirect distribution.

High performance options use additional highly-specular aluminum reflectors.

Endcaps

Die-cast endcap or optional die-cast sculptured endcap.

Joints

Self-aligning joining system with hands-free pre-joining wire access.

Mounting

Aircraft cable gripper is tamper-resistant and provides infinite vertical adjustment capability. Aircraft cable, crimp and cable gripper independently tested to meet stringent safety requirements.

Electrical

Factory pre-wired to section ends with quick-wire connectors.

Ballast

Electronic.

Approvals

Certified to UL and CSA standards.

Finish

High-quality powder coat. Available in Ledalite Standard White (textured matte finish), and a selection of other factory and customer-specified colors. Consult factory for details.