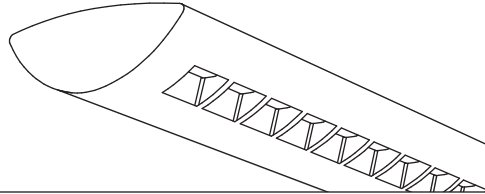


Suspended
 Direct/Indirect
 2 T8 - Solid Housing



Project Name

Spec Type

Notes




Order Guide

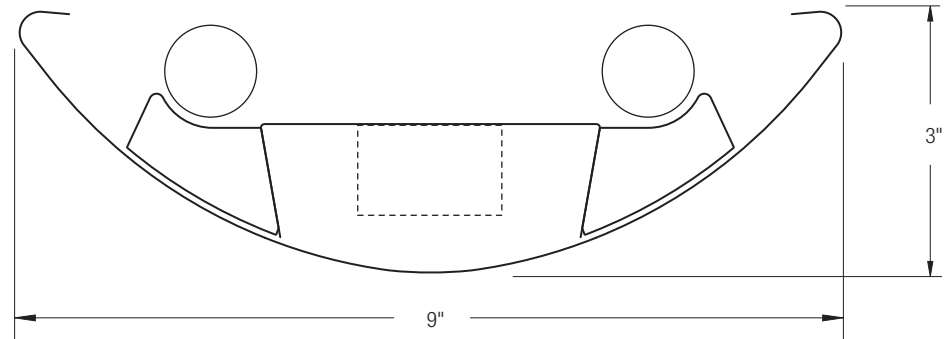
Some combinations of product options may not be available. Consult factory for assistance with your specification.

9506	T02			-		-		-		
Product Series & Type Centris Direct/Indirect	Lamping 2 T8	Lower Optics C Solid Baffle R Round Perf Baffle	Upper Optics N None D Down Kit Y Lamp Separator	Run Length <i>Enter the total run length in feet (4ft increments)</i>	Wiring 1 1 cct 2 2 cct 3 1 cct w/ Emergency cct 4 2 cct w/ Emergency cct 5 1 cct w/ Battery Pack 6 2 cct w/ Battery Pack 7 1 cct Dimming	Voltage 1 120V 2 277V 3 347V	Ballast E Standard Ballast Consult website for ballast manufacturer information	Color & Finish W Standard White C Factory Color X Custom Color Consult website for color and finish options		
									Mounting Hardware	
									<input type="text"/>	
									<input type="text"/>	
									Mount Type	
									Consult separate mounting spec sheet for mount type options	
									Suspension Length	
									Enter distance from ceiling to top of fixture in inches	

Upgrades & Accessories

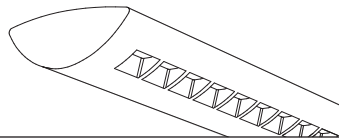
Please indicate with check mark.

<input type="checkbox"/> Lamps Included	<input type="checkbox"/> Lamps Included and Installed
<input type="checkbox"/> Sculptured Endcap See details on reverse	<input type="checkbox"/> Dust Cover 
<input type="checkbox"/> Response Daylight (Integrated Controls) For details visit www.ledalite.com/response	



Centris®

Suspended
Direct/Indirect
2 T8 - Solid Housing



Photometry Optics CD Solid Baffle w/ Down Kit

Report Summary

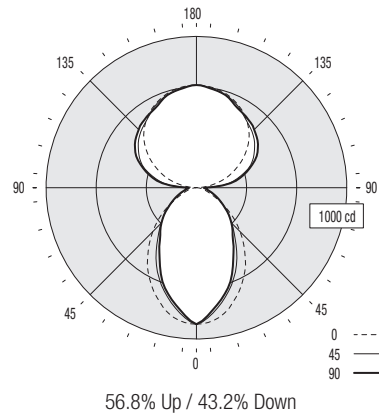
Report # 2101727
Filename 9506T02CD-RD.ies
Efficiency 69.8%

Peak Candela Value* 679 @ 180°
Peak to Zenith Ratio* 1 : 1

* Between 90-180° vertical angle

Candela Distribution

Vertical Angle	Horizontal Angle					Zonal Lumens
	0	22.5	45	67.5	90	
0	902	902	902	902	902	
5	895	881	864	844	850	83
15	830	775	746	722	727	213
25	710	640	614	572	573	283
35	566	501	459	423	423	294
45	411	362	330	321	329	266
55	254	231	235	224	230	210
65	119	135	146	145	153	141
75	55	64	87	87	93	85
85	15	32	51	57	62	51
90	2	27	48	56	56	
95	44	101	173	159	176	144
105	167	221	307	319	324	287
115	285	314	409	426	429	372
125	398	405	472	497	500	408
135	496	488	523	543	543	402
145	569	562	563	574	575	356
155	623	613	616	603	603	282
165	659	651	649	647	649	184
175	677	676	673	670	671	65
180	679	679	679	679	679	



Coefficients of Utilization (%)

Ceiling: Walk:	80				70				50				0
	70	50	30	10	70	50	30	10	50	30	10	0	
0 RCR	73	73	73	73	66	66	66	54	54	54	27		
1	66	63	61	58	60	58	56	47	46	44	23		
2	61	56	52	48	55	51	47	42	39	37	19		
3	55	49	44	40	50	45	41	37	34	31	17		
4	51	44	38	34	46	40	35	33	29	27	15		
5	47	39	33	29	42	36	31	29	26	23	13		
6	43	35	29	26	39	32	27	27	23	20	11		
7	40	32	26	22	36	29	24	24	21	18	10		
8	37	29	23	20	34	26	22	22	19	16	9		
9	34	26	21	18	31	24	20	20	17	14	8		
10	32	24	19	16	29	22	18	19	15	13	8		

Based on a floor reflectance of 0.2

Avg. Luminance (cd/m²)

Vertical Angle	Horizontal Angle		
	0	45	90
55	1805	1221	1076
65	1148	908	829
75	866	699	621
85	701	605	562

IES files for this and other photometric options can be downloaded online at www.ledalite.com

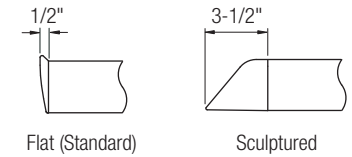
Additional Information

Modules

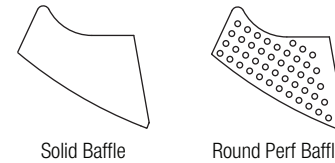
Module length excludes endcaps.
Nominal mount spacing for individually mounted modules.

Module	Mount Spacing
4ft	4' 0"
8ft	8' 0"
12ft	12' 0"

Endcap



Lower Optics



Upper Optics



Specifications

Due to continuing product improvements, Ledalite reserves the right to change specifications without notice.

Housing

Die-formed 20 gauge cold-rolled steel.

Weight

3.0 lb/ft.

Optical System

Direct/Indirect: Constructed of 96% reflective white steel to produce a direct/indirect distribution. Baffles are white blades spaced 2-7/16" apart and are 3/4" deep (18 cells per 4ft section). Perforation of baffles and housing is optional. Perforated housing options include acrylic overlay. Optional field-installable Variable Optics kits provide additional downlight as required.

Semi-Indirect: Constructed of 96% reflective white steel with perforated housing and acrylic overlay to produce a semi-indirect distribution. Perforated housing available in round or slot perforation patterns.

Indirect: Constructed of 96% reflective white steel to produce an indirect distribution.

High performance options use additional highly-specular aluminum reflectors.

Endcaps

Die-cast endcap or optional die-cast sculptured endcap.

Joints

Self-aligning joining system with hands-free pre-joining wire access.

Mounting

Aircraft cable gripper is tamper-resistant and provides infinite vertical adjustment capability. Aircraft cable, crimp and cable gripper independently tested to meet stringent safety requirements.

Electrical

Factory pre-wired to section ends with quick-wire connectors.

Ballast

Electronic.

Approvals

Certified to UL and CSA standards.

Finish

High-quality powder coat. Available in Ledalite Standard White (textured matte finish), and a selection of other factory and customer-specified colors. Consult factory for details.