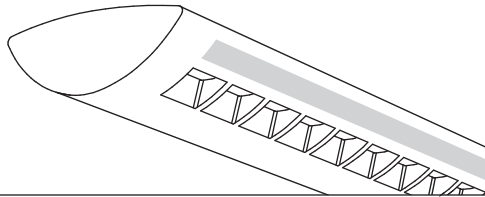


Suspended
 Direct/Indirect
 2 T5HO - Perf Housing



Project Name

Spec Type

Notes



Order Guide

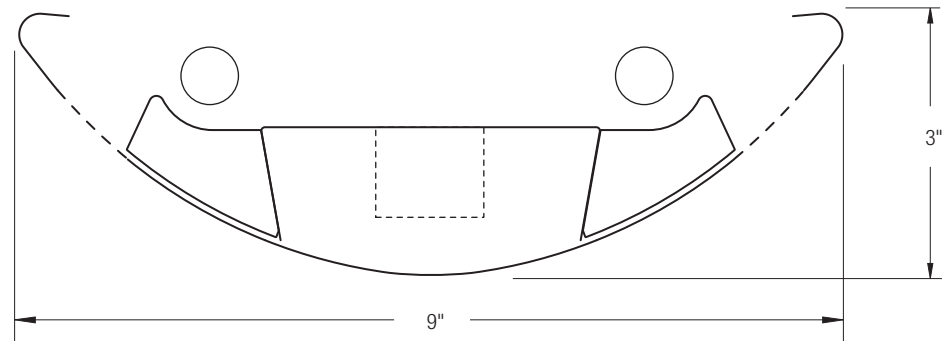
Some combinations of product options may not be available. Consult factory for assistance with your specification.

| | | | | | | | | | | | |
|--|-------------------|--|---|--|--|--|--|--|---|---|----------------------|
| 9506 | H02 | <input type="text"/> | <input type="text"/> | - | <input type="text"/> | - | <input type="text"/> | - | <input type="text"/> | - | <input type="text"/> |
| Product Series & Type Centris Direct/Indirect | Lamping 2 T5HO | Lower Optics M Round Perf Housing / Solid Baffle T Round Perf Housing / Round Perf Baffle U Slot Perf Housing / Solid Baffle Z Slot Perf Housing / Round Perf Baffle See details on reverse | Upper Optics N None D Down Kit Y Lamp Separator See details on reverse | Run Length <i>Enter the total run length in feet (4ft increments)</i> See details on reverse | Wiring 1 1 cct 2 2 cct 3 1 cct w/ Emergency cct 4 2 cct w/ Emergency cct 5 1 cct w/ Battery Pack 6 2 cct w/ Battery Pack 7 1 cct Dimming Consult website for complete list of standard wiring options | Voltage 1 120V 2 277V 3 347V | Ballast E Standard Ballast Consult website for ballast manufacturer information | Color & Finish W Standard White C Factory Color X Custom Color Consult website for color and finish options | Mounting Hardware <input type="text"/> <input type="text"/> Mount Type <input type="text"/> Suspension Length <input type="text"/> Consult separate mounting spec sheet for mount type options <i>Enter distance from ceiling to top of fixture in inches</i> | | |

Upgrades & Accessories

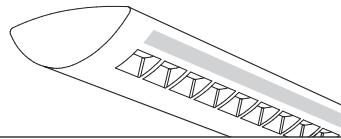
Please indicate with check mark.

| | |
|--|--|
| <input type="checkbox"/> Lamps Included | <input checked="" type="checkbox"/> Lamps Included and Installed |
| <input type="checkbox"/> Sculptured Endcap See details on reverse | |
| <input type="checkbox"/> Response Daylight (Integrated Controls) For details visit www.ledalite.com/response | |



Centris®

Suspended
Direct/Indirect
2 T5HO - Perf Housing



Photometry Optics ZY Slot Perf Housing / Round Perf Baffle w/ Lamp Separator

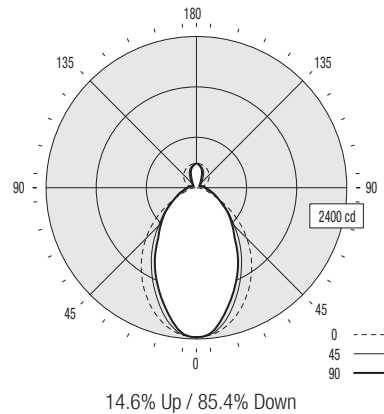
Report Summary

Report # 9900047
Filename 9506H02UY-ZY.ies
Efficiency 55.3%

Peak Candela Value* N/A
Peak to Zenith Ratio* N/A : 1
* Between 90-180° vertical angle

Candela Distribution

| Vertical Angle | Horizontal Angle | | | | | Zonal Lumens |
|----------------|------------------|------|------|------|------|--------------|
| | 0 | 22.5 | 45 | 67.5 | 90 | |
| 0 | 2373 | 2373 | 2373 | 2373 | 2373 | 223 |
| 5 | 2353 | 2352 | 2348 | 2333 | 2335 | 578 |
| 15 | 2186 | 2165 | 2061 | 1964 | 1950 | 770 |
| 25 | 1891 | 1803 | 1645 | 1553 | 1538 | 794 |
| 35 | 1539 | 1392 | 1241 | 1133 | 1107 | 699 |
| 45 | 1140 | 996 | 854 | 801 | 793 | 540 |
| 55 | 719 | 640 | 580 | 557 | 554 | 355 |
| 65 | 326 | 368 | 353 | 356 | 367 | 217 |
| 75 | 139 | 168 | 211 | 238 | 246 | 133 |
| 85 | 36 | 80 | 132 | 161 | 173 | 125 |
| 90 | 4 | 60 | 107 | 139 | 148 | 125 |
| 95 | 25 | 45 | 90 | 122 | 130 | 93 |
| 105 | 119 | 31 | 59 | 85 | 92 | 115 |
| 115 | 189 | 77 | 44 | 60 | 67 | 77 |
| 125 | 242 | 132 | 78 | 57 | 56 | 93 |
| 135 | 287 | 202 | 117 | 101 | 89 | 115 |
| 145 | 325 | 270 | 177 | 129 | 118 | 125 |
| 155 | 354 | 322 | 272 | 215 | 199 | 125 |
| 165 | 374 | 358 | 337 | 317 | 311 | 95 |
| 175 | 384 | 382 | 376 | 369 | 368 | 37 |
| 180 | 385 | 385 | 385 | 385 | 385 | |



Coefficients of Utilization (%)

| Ceiling: Wall: | 80 | | | | 70 | | | | 50 | | | | 0 | | | |
|-------------------|----|----|----|----|----|----|----|----|----|----|----|---|----|----|----|----|
| | 70 | 50 | 30 | 10 | 70 | 50 | 30 | 10 | 50 | 30 | 10 | 0 | 70 | 50 | 30 | 10 |
| 0 RCR | 63 | 63 | 63 | 63 | 61 | 61 | 61 | 56 | 56 | 56 | 46 | | | | | |
| 1 | 58 | 56 | 54 | 52 | 56 | 54 | 52 | 50 | 48 | 47 | 39 | | | | | |
| 2 | 53 | 49 | 46 | 43 | 51 | 47 | 44 | 44 | 42 | 39 | 33 | | | | | |
| 3 | 49 | 44 | 40 | 36 | 47 | 42 | 39 | 39 | 36 | 34 | 29 | | | | | |
| 4 | 45 | 39 | 35 | 31 | 43 | 38 | 34 | 35 | 32 | 29 | 25 | | | | | |
| 5 | 42 | 35 | 31 | 27 | 40 | 34 | 30 | 32 | 29 | 26 | 22 | | | | | |
| 6 | 39 | 32 | 28 | 24 | 37 | 31 | 27 | 29 | 26 | 23 | 20 | | | | | |
| 7 | 36 | 29 | 25 | 22 | 35 | 28 | 24 | 27 | 23 | 21 | 18 | | | | | |
| 8 | 34 | 27 | 22 | 20 | 32 | 26 | 22 | 25 | 21 | 19 | 16 | | | | | |
| 9 | 32 | 25 | 21 | 18 | 30 | 24 | 20 | 23 | 19 | 17 | 15 | | | | | |
| 10 | 30 | 23 | 19 | 16 | 29 | 22 | 18 | 21 | 18 | 17 | 14 | | | | | |

Based on a floor reflectance of 0.2

Avg. Luminance (cd/m²)

| Vertical Angle | Horizontal Angle | | |
|----------------|------------------|------|------|
| | 0 | 45 | 90 |
| 55 | 5109 | 3014 | 2591 |
| 65 | 3144 | 2194 | 1989 |
| 75 | 2189 | 1696 | 1643 |
| 85 | 1684 | 1567 | 1569 |

IES files for this and other photometric options can be downloaded online at www.ledalite.com

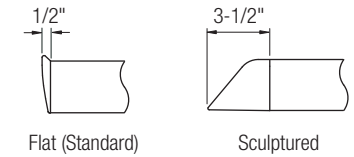
Additional Information

Modules

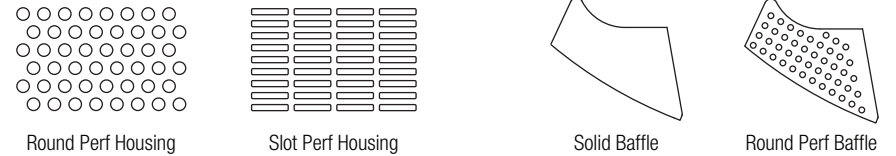
Module length excludes endcaps.
Nominal mount spacing for individually mounted modules.

| Module | Mount Spacing |
|--------|---------------|
| 4ft | 4' 0" |
| 8ft | 8' 0" |
| 12ft | 12' 0" |

Endcap



Lower Optics



Upper Optics



Specifications

Due to continuing product improvements, Ledalite reserves the right to change specifications without notice.

Housing

Die-formed 20 gauge cold-rolled steel.

Weight

3.0 lb/ft.

Optical System

Direct/Indirect: Constructed of 96% reflective white steel to produce a direct/indirect distribution. Baffles are white blades spaced 2-7/16" apart and are 3/4" deep (18 cells per 4ft section). Perforation of baffles and housing is optional. Perforated housing options include acrylic overlay. Optional field-installable Variable Optics kits provide additional downlight as required.

Semi-Indirect: Constructed of 96% reflective white steel with perforated housing and acrylic overlay to produce a semi-indirect distribution. Perforated housing available in round or slot perforation patterns.

Indirect: Constructed of 96% reflective white steel to produce an indirect distribution.

High performance options use additional highly-specular aluminum reflectors.

Endcaps

Die-cast endcap or optional die-cast sculptured endcap.

Joints

Self-aligning joining system with hands-free pre-joining wire access.

Mounting

Aircraft cable gripper is tamper-resistant and provides infinite vertical adjustment capability. Aircraft cable, crimp and cable gripper independently tested to meet stringent safety requirements.

Electrical

Factory pre-wired to section ends with quick-wire connectors.

Ballast

Electronic.

Approvals

Certified to UL and CSA standards.

Finish

High-quality powder coat. Available in Ledalite Standard White (textured matte finish), and a selection of other factory and customer-specified colors. Consult factory for details.