

Centris®



Suspended
 Direct/Indirect
 2 T5HO - Perf Housing



Project Name

Spec Type

Notes



Order Guide

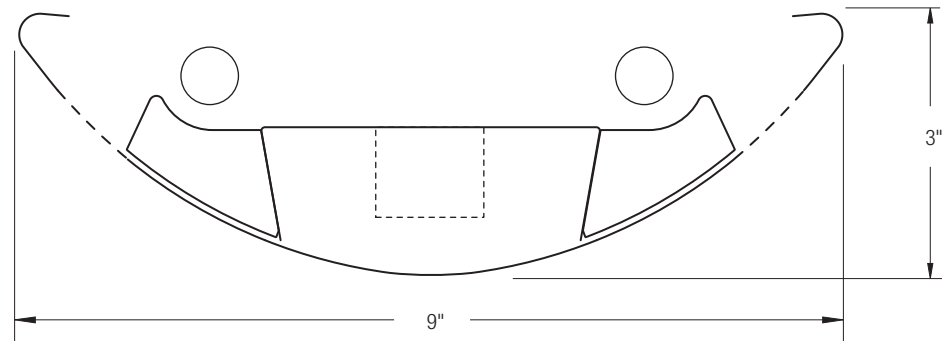
Some combinations of product options may not be available. Consult factory for assistance with your specification.

| | | | | | | | | | | | |
|--|-------------------|--|---|--|--|--|--|--|--|---|----------------------|
| 9506 | H02 | <input type="text"/> | <input type="text"/> | - | <input type="text"/> | - | <input type="text"/> | - | <input type="text"/> | - | <input type="text"/> |
| Product Series & Type Centris Direct/Indirect | Lamping 2 T5HO | Lower Optics M Round Perf Housing / Solid Baffle T Round Perf Housing / Round Perf Baffle U Slot Perf Housing / Solid Baffle Z Slot Perf Housing / Round Perf Baffle See details on reverse | Upper Optics N None D Down Kit Y Lamp Separator See details on reverse | Run Length <i>Enter the total run length in feet (4ft increments)</i> See details on reverse | Wiring 1 1 cct 2 2 cct 3 1 cct w/ Emergency cct 4 2 cct w/ Emergency cct 5 1 cct w/ Battery Pack 6 2 cct w/ Battery Pack 7 1 cct Dimming Consult website for complete list of standard wiring options | Voltage 1 120V 2 277V 3 347V | Ballast E Standard Ballast Consult website for ballast manufacturer information | Color & Finish W Standard White C Factory Color X Custom Color Consult website for color and finish options | Mounting Hardware <input type="text"/> <input type="text"/> Mount Type <input type="text"/> Suspension Length <input type="text"/> <i>Enter distance from ceiling to top of fixture in inches</i> Consult separate mounting spec sheet for mount type options | | |

Upgrades & Accessories

Please indicate with check mark.

| | |
|--|--|
| <input type="checkbox"/> Lamps Included | <input checked="" type="checkbox"/> Lamps Included and Installed |
| <input type="checkbox"/> Sculptured Endcap See details on reverse | |
| <input type="checkbox"/> Response Daylight (Integrated Controls) For details visit www.ledalite.com/response | |



Centris®

Suspended
Direct/Indirect
2 T5HO - Perf Housing



Photometry Optics ZD Slot Perf Housing / Round Perf Baffle w/ Down Kit

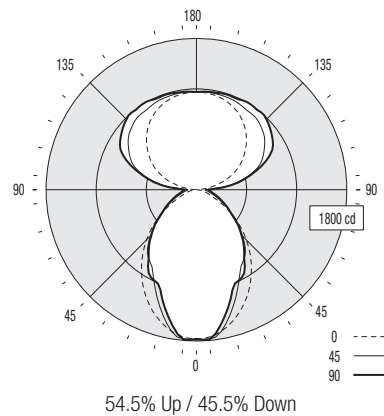
Report Summary

Report # 2101782
Filename 9506H02UD-ZD.ies
Efficiency 78.7%

Peak Candela Value* 1206 @ 148°
Peak to Zenith Ratio* 1 : 1
* Between 90-180° vertical angle

Candela Distribution

| Vertical Angle | Horizontal Angle | | | | | Zonal Lumens |
|----------------|------------------|------|------|------|------|--------------|
| | 0 | 22.5 | 45 | 67.5 | 90 | |
| 0 | 1777 | 1777 | 1777 | 1777 | 1777 | |
| 5 | 1761 | 1770 | 1783 | 1775 | 1788 | 168 |
| 15 | 1632 | 1634 | 1546 | 1443 | 1458 | 431 |
| 25 | 1419 | 1327 | 1202 | 1164 | 1194 | 576 |
| 35 | 1147 | 1007 | 998 | 1007 | 996 | 638 |
| 45 | 846 | 725 | 778 | 753 | 761 | 591 |
| 55 | 530 | 536 | 542 | 503 | 517 | 472 |
| 65 | 248 | 315 | 322 | 330 | 354 | 319 |
| 75 | 115 | 132 | 194 | 213 | 235 | 192 |
| 85 | 29 | 66 | 119 | 147 | 163 | 119 |
| 90 | 4 | 56 | 102 | 135 | 138 | |
| 95 | 68 | 194 | 304 | 329 | 327 | 279 |
| 105 | 278 | 436 | 652 | 738 | 671 | 607 |
| 115 | 512 | 614 | 871 | 1010 | 969 | 796 |
| 125 | 689 | 784 | 998 | 1107 | 1105 | 847 |
| 135 | 847 | 915 | 1083 | 1177 | 1183 | 809 |
| 145 | 977 | 1021 | 1120 | 1195 | 1202 | 694 |
| 155 | 1071 | 1094 | 1149 | 1177 | 1187 | 526 |
| 165 | 1132 | 1144 | 1162 | 1180 | 1186 | 328 |
| 175 | 1158 | 1161 | 1167 | 1171 | 1172 | 114 |
| 180 | 1163 | 1163 | 1163 | 1163 | 1163 | |



Coefficients of Utilization (%)

| Ceiling: | 80 | | | | 70 | | | | 50 | | | | 0 | | | |
|----------|----|----|----|----|----|----|----|----|----|----|----|----|----|----|----|----|
| | 70 | 50 | 30 | 10 | 70 | 50 | 30 | 10 | 70 | 50 | 30 | 10 | 70 | 50 | 30 | 10 |
| 0 RCR | 82 | 82 | 82 | 82 | 75 | 75 | 75 | 61 | 61 | 61 | 61 | 32 | | | | |
| 1 | 75 | 72 | 69 | 66 | 68 | 65 | 63 | 54 | 52 | 50 | 27 | | | | | |
| 2 | 69 | 63 | 58 | 54 | 62 | 57 | 53 | 47 | 44 | 42 | 23 | | | | | |
| 3 | 63 | 55 | 50 | 45 | 57 | 51 | 46 | 42 | 38 | 35 | 20 | | | | | |
| 4 | 57 | 49 | 43 | 38 | 52 | 45 | 40 | 37 | 33 | 30 | 17 | | | | | |
| 5 | 53 | 44 | 38 | 33 | 48 | 40 | 35 | 33 | 29 | 26 | 15 | | | | | |
| 6 | 49 | 39 | 33 | 29 | 44 | 36 | 31 | 30 | 26 | 23 | 13 | | | | | |
| 7 | 45 | 36 | 29 | 25 | 41 | 33 | 27 | 27 | 23 | 20 | 12 | | | | | |
| 8 | 42 | 32 | 26 | 22 | 38 | 30 | 25 | 25 | 21 | 18 | 11 | | | | | |
| 9 | 39 | 29 | 24 | 20 | 35 | 27 | 22 | 23 | 19 | 16 | 10 | | | | | |
| 10 | 36 | 27 | 21 | 18 | 33 | 25 | 20 | 21 | 17 | 15 | 9 | | | | | |

Based on a floor reflectance of 0.2

Avg. Luminance (cd/m²)

| Vertical Angle | Horizontal Angle | | |
|----------------|------------------|------|------|
| | 0 | 45 | 90 |
| 55 | 3766 | 2817 | 2418 |
| 65 | 2392 | 2002 | 1918 |
| 75 | 1811 | 1559 | 1570 |
| 85 | 1356 | 1413 | 1478 |

IES files for this and other photometric options can be downloaded online at www.ledalite.com

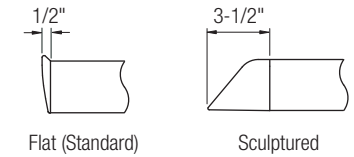
Additional Information

Modules

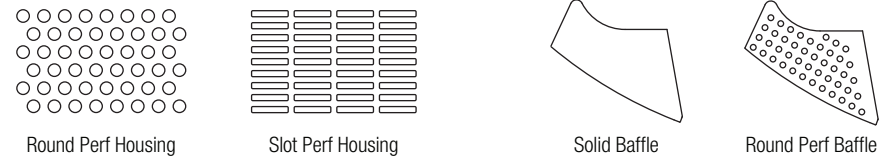
Module length excludes endcaps.
Nominal mount spacing for individually mounted modules.

| Module | Mount Spacing |
|--------|---------------|
| 4ft | 4' 0" |
| 8ft | 8' 0" |
| 12ft | 12' 0" |

Endcap



Lower Optics



Upper Optics



Specifications

Due to continuing product improvements, Ledalite reserves the right to change specifications without notice.

Housing

Die-formed 20 gauge cold-rolled steel.

Weight

3.0 lb/ft.

Optical System

Direct/Indirect: Constructed of 96% reflective white steel to produce a direct/indirect distribution. Baffles are white blades spaced 2-7/16" apart and are 3/4" deep (18 cells per 4ft section). Perforation of baffles and housing is optional. Perforated housing options include acrylic overlay. Optional field-installable Variable Optics kits provide additional downlight as required.

Semi-Indirect: Constructed of 96% reflective white steel with perforated housing and acrylic overlay to produce a semi-indirect distribution. Perforated housing available in round or slot perforation patterns.

Indirect: Constructed of 96% reflective white steel to produce an indirect distribution.

High performance options use additional highly-specular aluminum reflectors.

Endcaps

Die-cast endcap or optional die-cast sculptured endcap.

Joints

Self-aligning joining system with hands-free pre-joining wire access.

Mounting

Aircraft cable gripper is tamper-resistant and provides infinite vertical adjustment capability. Aircraft cable, crimp and cable gripper independently tested to meet stringent safety requirements.

Electrical

Factory pre-wired to section ends with quick-wire connectors.

Ballast

Electronic.

Approvals

Certified to UL and CSA standards.

Finish

High-quality powder coat. Available in Ledalite Standard White (textured matte finish), and a selection of other factory and customer-specified colors. Consult factory for details.