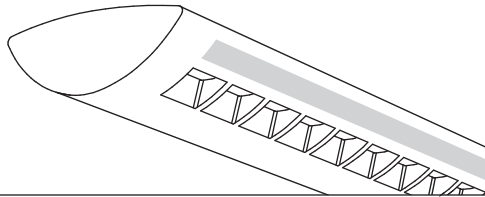


Centris®



Suspended
 Direct/Indirect
 2 T5HO - Perf Housing



Project Name

Spec Type

Notes



Order Guide

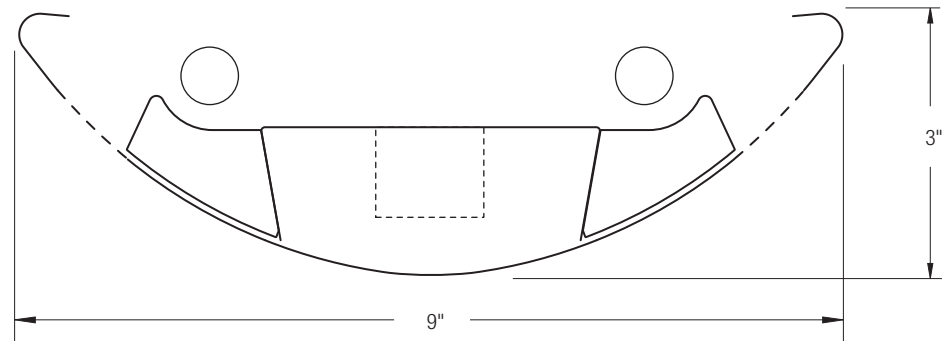
Some combinations of product options may not be available. Consult factory for assistance with your specification.

9506	H02			-		-		-	
Product Series & Type Centris Direct/Indirect	Lamping 2 T5HO	Lower Optics M Round Perf Housing / Solid Baffle T Round Perf Housing / Round Perf Baffle U Slot Perf Housing / Solid Baffle Z Slot Perf Housing / Round Perf Baffle See details on reverse	Upper Optics N None D Down Kit Y Lamp Separator See details on reverse	Run Length <i>Enter the total run length in feet (4ft increments)</i> See details on reverse	Wiring 1 1 cct 2 2 cct 3 1 cct w/ Emergency cct 4 2 cct w/ Emergency cct 5 1 cct w/ Battery Pack 6 2 cct w/ Battery Pack 7 1 cct Dimming Consult website for complete list of standard wiring options	Voltage 1 120V 2 277V 3 347V	Ballast E Standard Ballast Consult website for ballast manufacturer information	Color & Finish W Standard White C Factory Color X Custom Color Consult website for color and finish options	
Mounting Hardware									
Mount Type <input type="text"/> Consult separate mounting spec sheet for mount type options				Suspension Length <input type="text"/> <i>Enter distance from ceiling to top of fixture in inches</i>					

Upgrades & Accessories

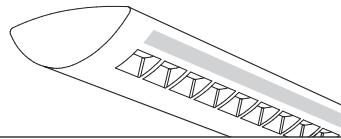
Please indicate with check mark.

<input type="checkbox"/> Lamps Included	<input checked="" type="checkbox"/> Lamps Included and Installed
<input type="checkbox"/> Sculptured Endcap See details on reverse	
<input type="checkbox"/> Response Daylight (Integrated Controls) For details visit www.ledalite.com/response	



Centris®

Suspended
Direct/Indirect
2 T5HO - Perf Housing



Photometry Optics UY Slot Perf Housing / Solid Baffle w/ Lamp Separator

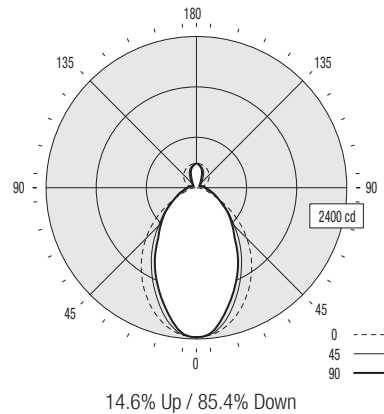
Report Summary

Report # 9900047
Filename 9506H02UY-ZY.ies
Efficiency 55.3%

Peak Candela Value* N/A
Peak to Zenith Ratio* N/A : 1
* Between 90-180° vertical angle

Candela Distribution

Vertical Angle	Horizontal Angle					Zonal Lumens
	0	22.5	45	67.5	90	
0	2373	2373	2373	2373	2373	223
5	2353	2352	2348	2333	2335	578
15	2186	2165	2061	1964	1950	770
25	1891	1803	1645	1553	1538	794
35	1539	1392	1241	1133	1107	699
45	1140	996	854	801	793	540
55	719	640	580	557	554	355
65	326	368	353	356	367	217
75	139	168	211	238	246	133
85	36	80	132	161	173	125
90	4	60	107	139	148	125
95	25	45	90	122	130	93
105	119	31	59	85	92	115
115	189	77	44	60	67	77
125	242	132	78	57	56	93
135	287	202	117	101	89	115
145	325	270	177	129	118	125
155	354	322	272	215	199	125
165	374	358	337	317	311	95
175	384	382	376	369	368	37
180	385	385	385	385	385	



Coefficients of Utilization (%)

Ceiling: Walk:	80				70				50				0				
	70	50	30	10	70	50	30	10	50	30	10	0	70	50	30	10	0
0 RCR	63	63	63	63	61	61	61	56	56	56	46						
1	58	56	54	52	56	54	52	50	48	47	39						
2	53	49	46	43	51	47	44	44	42	39	33						
3	49	44	40	36	47	42	39	39	36	34	29						
4	45	39	35	31	43	38	34	35	32	29	25						
5	42	35	31	27	40	34	30	32	29	26	22						
6	39	32	28	24	37	31	27	29	26	23	20						
7	36	29	25	22	35	28	24	27	23	21	18						
8	34	27	22	20	32	26	22	25	21	19	16						
9	32	25	21	18	30	24	20	23	19	17	15						
10	30	23	19	16	29	22	18	21	18	15	14						

Based on a floor reflectance of 0.2

Avg. Luminance (cd/m²)

Vertical Angle	Horizontal Angle		
	0	45	90
55	5109	3014	2591
65	3144	2194	1989
75	2189	1696	1643
85	1684	1567	1569

IES files for this and other photometric options can be downloaded online at www.ledalite.com

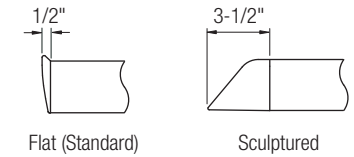
Additional Information

Modules

Module length excludes endcaps.
Nominal mount spacing for individually mounted modules.

Module	Mount Spacing
4ft	4' 0"
8ft	8' 0"
12ft	12' 0"

Endcap



Lower Optics



Upper Optics



Specifications

Due to continuing product improvements, Ledalite reserves the right to change specifications without notice.

Housing

Die-formed 20 gauge cold-rolled steel.

Weight

3.0 lb/ft.

Optical System

Direct/Indirect: Constructed of 96% reflective white steel to produce a direct/indirect distribution. Baffles are white blades spaced 2-7/16" apart and are 3/4" deep (18 cells per 4ft section). Perforation of baffles and housing is optional. Perforated housing options include acrylic overlay. Optional field-installable Variable Optics kits provide additional downlight as required.

Semi-Indirect: Constructed of 96% reflective white steel with perforated housing and acrylic overlay to produce a semi-indirect distribution. Perforated housing available in round or slot perforation patterns.

Indirect: Constructed of 96% reflective white steel to produce an indirect distribution.

High performance options use additional highly-specular aluminum reflectors.

Endcaps

Die-cast endcap or optional die-cast sculptured endcap.

Joints

Self-aligning joining system with hands-free pre-joining wire access.

Mounting

Aircraft cable gripper is tamper-resistant and provides infinite vertical adjustment capability. Aircraft cable, crimp and cable gripper independently tested to meet stringent safety requirements.

Electrical

Factory pre-wired to section ends with quick-wire connectors.

Ballast

Electronic.

Approvals

Certified to UL and CSA standards.

Finish

High-quality powder coat. Available in Ledalite Standard White (textured matte finish), and a selection of other factory and customer-specified colors. Consult factory for details.