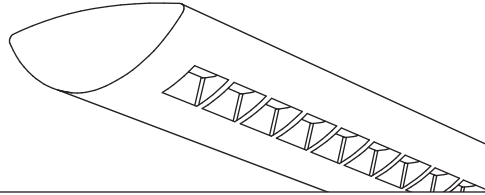


Centris®



Suspended
 Direct/Indirect
 2 T5HO - Solid Housing



Project Name

Spec Type

Notes



Order Guide

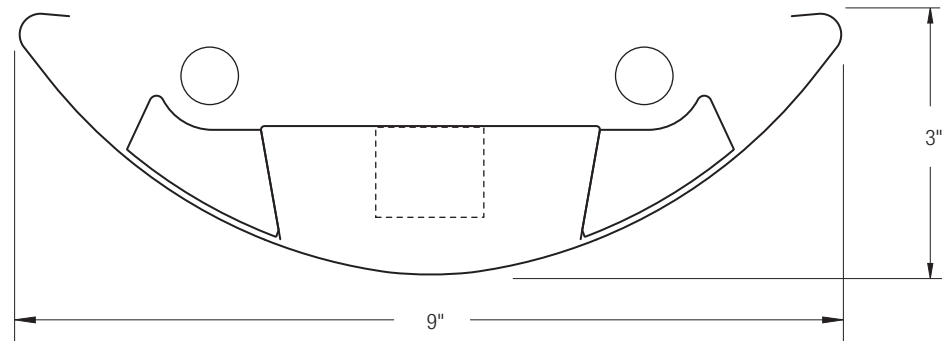
Some combinations of product options may not be available. Consult factory for assistance with your specification.

9506	H02			-		-		-	
Product Series & Type Centris Direct/Indirect	Lamping 2 T5HO	Lower Optics C Solid Baffle R Round Perf Baffle	Upper Optics N None D Down Kit Y Lamp Separator	Run Length <i>Enter the total run length in feet (4ft increments)</i>	Wiring 1 1 cct 2 2 cct 3 1 cct w/ Emergency cct 4 2 cct w/ Emergency cct 5 1 cct w/ Battery Pack 6 2 cct w/ Battery Pack 7 1 cct Dimming	Voltage 1 120V 2 277V 3 347V	Ballast E Standard Ballast Consult website for ballast manufacturer information	Color & Finish W Standard White C Factory Color X Custom Color Consult website for color and finish options	
<h3>Mounting Hardware</h3> <div style="display: flex; justify-content: space-between;"> <div style="width: 45%;"> <p>Mount Type <input type="text"/></p> <p>Consult separate mounting spec sheet for mount type options</p> </div> <div style="width: 45%;"> <p>Suspension Length <input type="text"/></p> <p><i>Enter distance from ceiling to top of fixture in inches</i></p> </div> </div>									

Upgrades & Accessories

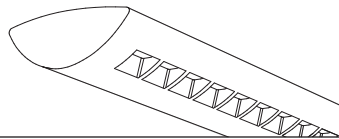
Please indicate with check mark.

<input type="checkbox"/> Lamps Included	<input checked="" type="checkbox"/> Lamps Included and Installed
<input type="checkbox"/> Sculptured Endcap See details on reverse	
<input type="checkbox"/> Response Daylight (Integrated Controls) For details visit www.ledalite.com/response	



Centris®

Suspended
Direct/Indirect
2 T5HO - Solid Housing



Photometry Optics RY Round Perf Baffle w/ Lamp Separator

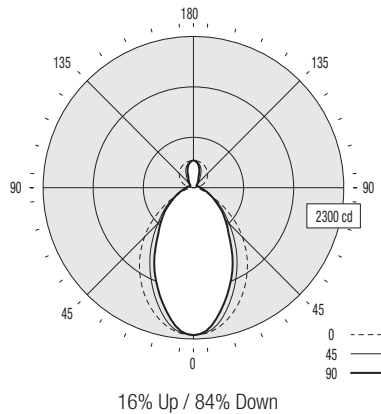
Report Summary

Report # 9900048
Filename 9506H02CY-RY.ies
Efficiency 50.7%

Peak Candela Value* N/A
Peak to Zenith Ratio* N/A : 1
* Between 90-180° vertical angle

Candela Distribution

Vertical Angle	Horizontal Angle					Zonal Lumens
	0	22.5	45	67.5	90	
0	2242	2242	2242	2242	2242	210
5	2223	2219	2213	2189	2190	541
15	2059	2031	1937	1833	1816	714
25	1781	1681	1534	1424	1406	725
35	1440	1292	1141	1010	976	628
45	1061	917	770	695	686	476
55	654	579	512	465	461	307
65	302	328	306	293	301	183
75	128	150	180	187	195	108
85	30	73	111	125	132	78
90	5	55	93	110	115	68
95	21	42	80	98	101	76
105	116	32	55	73	76	91
115	194	73	45	56	61	115
125	255	126	68	56	55	128
135	306	201	114	87	80	101
145	348	286	167	130	121	128
155	380	347	277	203	187	101
165	401	389	362	335	328	40
175	413	412	408	400	401	
180	414	414	414	414	414	



Coefficients of Utilization (%)

Ceiling: Walk:	80				70				50				0				
	70	50	30	10	70	50	30	10	50	30	10	0	70	50	30	10	0
0 RCR	58	58	58	58	56	56	56	51	51	51	41						
1	53	51	49	47	51	49	47	45	44	43	35						
2	49	45	42	39	47	43	41	40	38	36	30						
3	45	40	37	34	43	39	35	36	33	31	26						
4	42	36	32	29	40	35	31	32	29	27	23						
5	38	33	28	25	37	31	28	29	26	24	21						
6	36	30	25	22	34	29	25	27	24	21	18						
7	33	27	23	20	32	26	22	25	21	19	17						
8	31	25	21	18	30	24	20	23	19	17	15						
9	29	23	19	16	28	22	19	21	18	16	14						
10	27	21	17	15	26	21	17	19	16	14	13						

Based on a floor reflectance of 0.2

Avg. Luminance (cd/m²)

Vertical Angle	Horizontal Angle		
	0	45	90
55	4647	2661	2156
65	2913	1902	1631
75	2016	1446	1303
85	1403	1318	1197

IES files for this and other photometric options can be downloaded online at www.ledalite.com

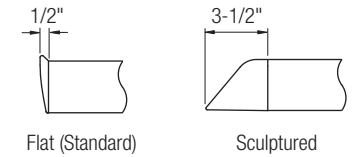
Additional Information

Modules

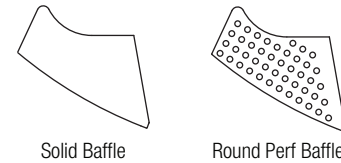
Module length excludes endcaps.
Nominal mount spacing for individually mounted modules.

Module	Mount Spacing
4ft	4' 0"
8ft	8' 0"
12ft	12' 0"

Endcap



Lower Optics



Upper Optics



Specifications

Due to continuing product improvements, Ledalite reserves the right to change specifications without notice.

Housing

Die-formed 20 gauge cold-rolled steel.

Weight

3.0 lb/ft.

Optical System

Direct/Indirect: Constructed of 96% reflective white steel to produce a direct/indirect distribution. Baffles are white blades spaced 2-7/16" apart and are 3/4" deep (18 cells per 4ft section). Perforation of baffles and housing is optional. Perforated housing options include acrylic overlay. Optional field-installable Variable Optics kits provide additional downlight as required.

Semi-Indirect: Constructed of 96% reflective white steel with perforated housing and acrylic overlay to produce a semi-indirect distribution. Perforated housing available in round or slot perforation patterns.

Indirect: Constructed of 96% reflective white steel to produce an indirect distribution.

High performance options use additional highly-specular aluminum reflectors.

Endcaps

Die-cast endcap or optional die-cast sculptured endcap.

Joints

Self-aligning joining system with hands-free pre-joining wire access.

Mounting

Aircraft cable gripper is tamper-resistant and provides infinite vertical adjustment capability. Aircraft cable, crimp and cable gripper independently tested to meet stringent safety requirements.

Electrical

Factory pre-wired to section ends with quick-wire connectors.

Ballast

Electronic.

Approvals

Certified to UL and CSA standards.

Finish

High-quality powder coat. Available in Ledalite Standard White (textured matte finish), and a selection of other factory and customer-specified colors. Consult factory for details.