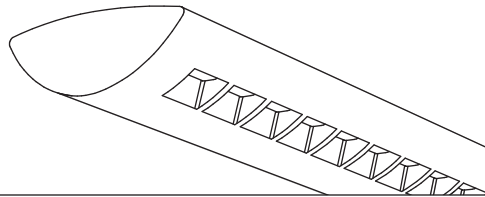


Centris®



Suspended
 Direct/Indirect
 2 T5HO - Solid Housing



Project Name

Spec Type

Notes



Order Guide

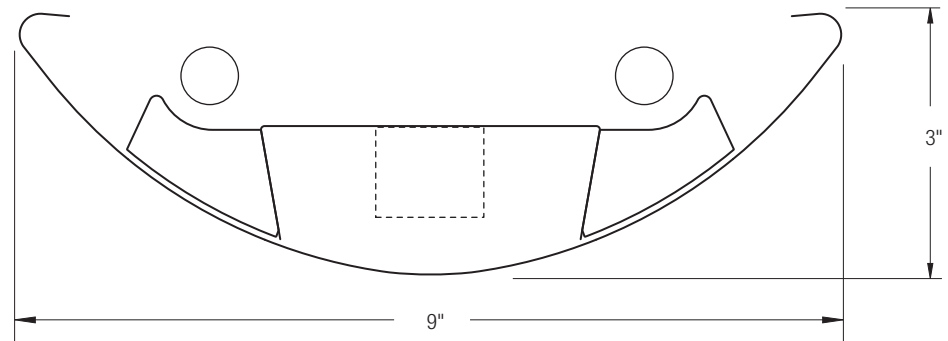
Some combinations of product options may not be available. Consult factory for assistance with your specification.

9506	H02			-		-		-	
Product Series & Type Centris Direct/Indirect	Lamping 2 T5HO	Lower Optics C Solid Baffle R Round Perf Baffle	Upper Optics N None D Down Kit Y Lamp Separator	Run Length <i>Enter the total run length in feet (4ft increments)</i>	Wiring 1 1 cct 2 2 cct 3 1 cct w/ Emergency cct 4 2 cct w/ Emergency cct 5 1 cct w/ Battery Pack 6 2 cct w/ Battery Pack 7 1 cct Dimming	Voltage 1 120V 2 277V 3 347V	Ballast E Standard Ballast Consult website for ballast manufacturer information	Color & Finish W Standard White C Factory Color X Custom Color Consult website for color and finish options	
		See details on reverse	See details on reverse	See details on reverse	Consult website for complete list of standard wiring options	Mounting Hardware <input type="text"/> <input type="text"/> Mount Type <input type="text"/> Suspension Length <input type="text"/> <i>Enter distance from ceiling to top of fixture in inches</i> Consult separate mounting spec sheet for mount type options			

Upgrades & Accessories

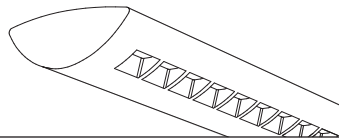
Please indicate with check mark.

<input type="checkbox"/> Lamps Included	<input checked="" type="checkbox"/> Lamps Included and Installed
<input type="checkbox"/> Sculptured Endcap See details on reverse	
<input type="checkbox"/> Response Daylight (Integrated Controls) For details visit www.ledalite.com/response	



Centris®

Suspended
Direct/Indirect
2 T5HO - Solid Housing



Photometry Optics RD Round Perf Baffle w/ Down Kit

Report Summary

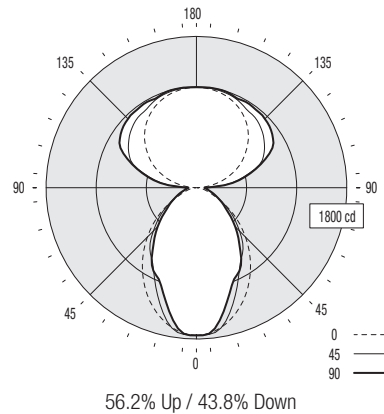
Report # 2101762
Filename 9506H02CD-RD.ies
Efficiency 76.7%

Peak Candela Value* 1201 @ 173°
Peak to Zenith Ratio* 1 : 1

* Between 90-180° vertical angle

Candela Distribution

Vertical Angle	Horizontal Angle					Zonal Lumens
	0	22.5	45	67.5	90	
0	1758	1758	1758	1758	1758	
5	1740	1740	1752	1739	1744	167
15	1612	1603	1542	1408	1408	425
25	1399	1308	1188	1122	1147	564
35	1129	985	960	921	915	607
45	831	705	730	654	657	546
55	531	501	489	421	426	424
65	246	289	284	273	281	279
75	108	131	166	169	176	164
85	29	64	102	112	118	98
90	5	56	89	110	106	
95	89	201	325	335	336	284
105	315	440	648	732	671	609
115	532	611	885	1007	965	801
125	715	779	988	1105	1108	846
135	880	921	1065	1150	1158	802
145	1009	1039	1101	1170	1174	690
155	1102	1119	1155	1163	1168	528
165	1162	1170	1185	1196	1200	334
175	1191	1191	1194	1198	1198	117
180	1196	1196	1196	1196	1196	



Coefficients of Utilization (%)

Ceiling:	80				70				50				0				
	70	50	30	10	70	50	30	10	50	30	10	0	70	50	30	10	0
0 RCR	80	80	80	80	73	73	73	59	59	59	30						
1	73	70	67	64	66	64	61	52	50	49	25						
2	67	61	57	53	60	56	52	46	43	41	22						
3	61	54	49	44	55	49	45	41	37	34	19						
4	56	48	42	38	51	44	39	36	32	30	16						
5	51	43	37	32	47	39	34	32	29	26	14						
6	47	38	32	28	43	35	30	29	25	22	13						
7	44	35	29	25	40	32	27	27	23	20	11						
8	41	32	26	22	37	29	24	24	20	18	10						
9	38	29	23	20	34	27	22	22	18	16	9						
10	35	26	21	17	32	24	20	21	17	14	8						

Based on a floor reflectance of 0.2

Avg. Luminance (cd/m²)

Vertical Angle	Horizontal Angle		
	0	45	90
55	3773	2541	1992
65	2372	1765	1523
75	1701	1334	1176
85	1356	1211	1070

IES files for this and other photometric options can be downloaded online at www.ledalite.com

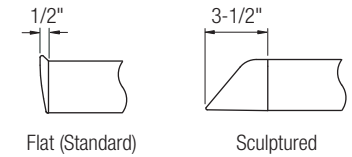
Additional Information

Modules

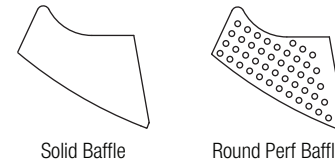
Module length excludes endcaps.
Nominal mount spacing for individually mounted modules.

Module	Mount Spacing
4ft	4' 0"
8ft	8' 0"
12ft	12' 0"

Endcap



Lower Optics



Upper Optics



Specifications

Due to continuing product improvements, Ledalite reserves the right to change specifications without notice.

Housing

Die-formed 20 gauge cold-rolled steel.

Weight

3.0 lb/ft.

Optical System

Direct/Indirect: Constructed of 96% reflective white steel to produce a direct/indirect distribution. Baffles are white blades spaced 2-7/16" apart and are 3/4" deep (18 cells per 4ft section). Perforation of baffles and housing is optional. Perforated housing options include acrylic overlay. Optional field-installable Variable Optics kits provide additional downlight as required.

Semi-Indirect: Constructed of 96% reflective white steel with perforated housing and acrylic overlay to produce a semi-indirect distribution. Perforated housing available in round or slot perforation patterns.

Indirect: Constructed of 96% reflective white steel to produce an indirect distribution.

High performance options use additional highly-specular aluminum reflectors.

Endcaps

Die-cast endcap or optional die-cast sculptured endcap.

Joints

Self-aligning joining system with hands-free pre-joining wire access.

Mounting

Aircraft cable gripper is tamper-resistant and provides infinite vertical adjustment capability. Aircraft cable, crimp and cable gripper independently tested to meet stringent safety requirements.

Electrical

Factory pre-wired to section ends with quick-wire connectors.

Ballast

Electronic.

Approvals

Certified to UL and CSA standards.

Finish

High-quality powder coat. Available in Ledalite Standard White (textured matte finish), and a selection of other factory and customer-specified colors. Consult factory for details.