

Centris®



Suspended
 Direct/Indirect
 2 T5HO - Perf Housing



Project Name

Spec Type

Notes



Order Guide

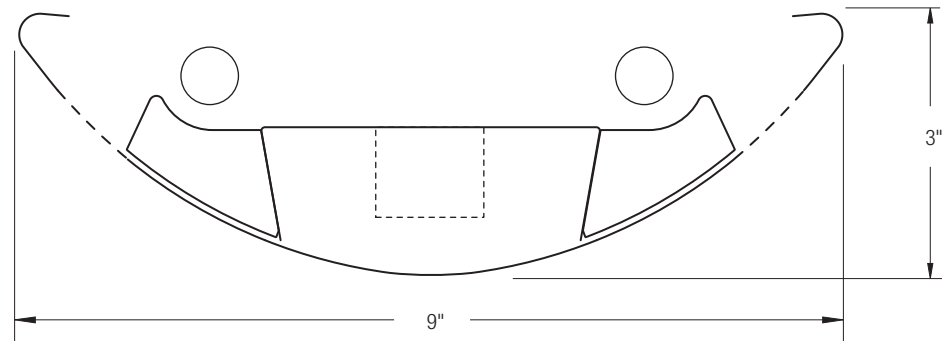
Some combinations of product options may not be available. Consult factory for assistance with your specification.

9506	H02	<input type="text"/>	<input type="text"/>	-	<input type="text"/>	-	<input type="text"/>	-	<input type="text"/>	-	<input type="text"/>
Product Series & Type Centris Direct/Indirect	Lamping 2 T5HO	Lower Optics M Round Perf Housing / Solid Baffle T Round Perf Housing / Round Perf Baffle U Slot Perf Housing / Solid Baffle Z Slot Perf Housing / Round Perf Baffle See details on reverse	Upper Optics N None D Down Kit Y Lamp Separator See details on reverse	Run Length <i>Enter the total run length in feet (4ft increments)</i> See details on reverse	Wiring 1 1 cct 2 2 cct 3 1 cct w/ Emergency cct 4 2 cct w/ Emergency cct 5 1 cct w/ Battery Pack 6 2 cct w/ Battery Pack 7 1 cct Dimming Consult website for complete list of standard wiring options	Voltage 1 120V 2 277V 3 347V	Ballast E Standard Ballast Consult website for ballast manufacturer information	Color & Finish W Standard White C Factory Color X Custom Color Consult website for color and finish options	Mounting Hardware <input type="text"/> <input type="text"/> Mount Type <input type="text"/> Suspension Length <input type="text"/> Consult separate mounting spec sheet for mount type options <i>Enter distance from ceiling to top of fixture in inches</i>		

Upgrades & Accessories

Please indicate with check mark.

<input type="checkbox"/> Lamps Included	<input checked="" type="checkbox"/> Lamps Included and Installed
<input type="checkbox"/> Sculptured Endcap See details on reverse	
<input type="checkbox"/> Response Daylight (Integrated Controls) For details visit www.ledalite.com/response	



Centris®

Suspended
Direct/Indirect
2 T5HO - Perf Housing



Photometry Optics MN Round Perf Housing / Solid Baffle

Report Summary

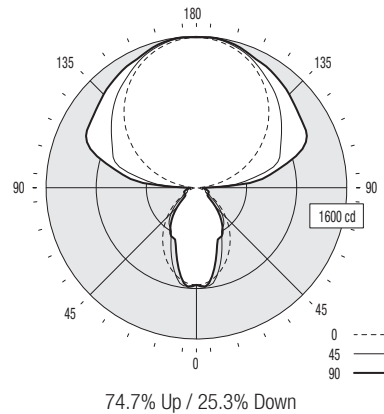
Report # 2101667
Filename 9506H02MN-TN.ies
Efficiency 84.8%

Peak Candela Value* 1597 @ 173°
Peak to Zenith Ratio* 1 : 1

* Between 90-180° vertical angle

Candela Distribution

Vertical Angle	Horizontal Angle					Zonal Lumens
	0	22.5	45	67.5	90	
0	1028	1028	1028	1028	1028	
5	1017	1029	1044	1045	1054	100
15	931	963	911	797	794	247
25	792	764	643	569	585	308
35	625	545	498	482	478	323
45	442	363	378	303	290	271
55	264	270	216	142	143	189
65	116	146	108	129	140	129
75	56	62	95	115	127	96
85	15	35	65	78	87	66
90	4	34	64	80	93	
95	75	226	424	436	570	359
105	337	520	848	925	998	776
115	612	716	986	1223	1296	958
125	866	924	1106	1273	1336	987
135	1090	1123	1241	1355	1396	957
145	1277	1307	1355	1432	1455	855
155	1426	1448	1467	1489	1500	677
165	1528	1544	1552	1565	1569	439
175	1582	1585	1590	1596	1597	154
180	1591	1591	1591	1591	1591	



Coefficients of Utilization (%)

Ceiling:	80				70				50				0
	70	50	30	10	70	50	30	10	50	30	10	0	
0 RCR	85	85	85	85	75	75	75	57	57	57	18		
1	78	74	71	68	69	66	63	50	48	47	15		
2	71	65	60	56	62	58	54	44	41	39	13		
3	65	57	51	47	57	51	46	39	36	33	11		
4	59	51	44	39	52	45	40	35	31	28	10		
5	54	45	39	34	48	40	35	31	27	24	9		
6	50	40	34	29	44	36	31	28	24	21	8		
7	46	36	30	26	41	33	27	25	21	19	7		
8	43	33	27	22	38	29	24	23	19	16	6		
9	40	30	24	20	35	27	22	21	17	15	6		
10	37	27	22	18	33	25	20	19	16	13	5		

Based on a floor reflectance of 0.2

Avg. Luminance (cd/m²)

Vertical Angle	Horizontal Angle		
	0	45	90
55	1876	1123	669
65	1119	671	759
75	882	763	848
85	701	772	789

IES files for this and other photometric options can be downloaded online at www.ledalite.com

Additional Information

Modules

Module length excludes endcaps.
Nominal mount spacing for individually mounted modules.

Module	Mount Spacing
4ft	4' 0"
8ft	8' 0"
12ft	12' 0"

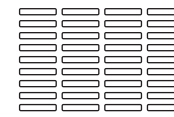
Endcap



Lower Optics



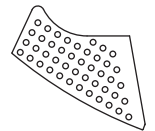
Round Perf Housing



Slot Perf Housing

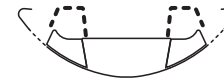


Solid Baffle



Round Perf Baffle

Upper Optics



D Down Kit



Y Lamp Separator

Specifications

Due to continuing product improvements, Ledalite reserves the right to change specifications without notice.

Housing

Die-formed 20 gauge cold-rolled steel.

Weight

3.0 lb/ft.

Optical System

Direct/Indirect: Constructed of 96% reflective white steel to produce a direct/indirect distribution. Baffles are white blades spaced 2-7/16" apart and are 3/4" deep (18 cells per 4ft section). Perforation of baffles and housing is optional. Perforated housing options include acrylic overlay. Optional field-installable Variable Optics kits provide additional downlight as required.

Semi-Indirect: Constructed of 96% reflective white steel with perforated housing and acrylic overlay to produce a semi-indirect distribution. Perforated housing available in round or slot perforation patterns.

Indirect: Constructed of 96% reflective white steel to produce an indirect distribution.

High performance options use additional highly-specular aluminum reflectors.

Endcaps

Die-cast endcap or optional die-cast sculptured endcap.

Joints

Self-aligning joining system with hands-free pre-joining wire access.

Mounting

Aircraft cable gripper is tamper-resistant and provides infinite vertical adjustment capability. Aircraft cable, crimp and cable gripper independently tested to meet stringent safety requirements.

Electrical

Factory pre-wired to section ends with quick-wire connectors.

Ballast

Electronic.

Approvals

Certified to UL and CSA standards.

Finish

High-quality powder coat. Available in Ledalite Standard White (textured matte finish), and a selection of other factory and customer-specified colors. Consult factory for details.