

Centris®



Suspended
 Direct/Indirect
 2 T5HO - Perf Housing



Project Name

Spec Type

Notes



Order Guide

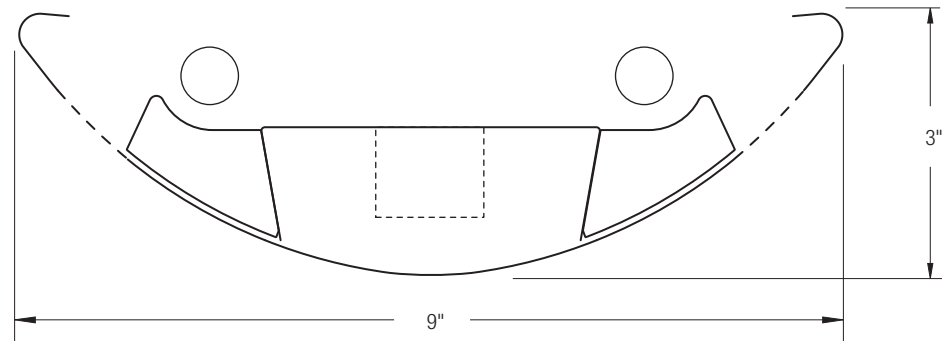
Some combinations of product options may not be available. Consult factory for assistance with your specification.

9506	H02	<input type="text"/>	<input type="text"/>	-	<input type="text"/>	-	<input type="text"/>	-	<input type="text"/>	-	<input type="text"/>
Product Series & Type Centris Direct/Indirect	Lamping 2 T5HO	Lower Optics M Round Perf Housing / Solid Baffle T Round Perf Housing / Round Perf Baffle U Slot Perf Housing / Solid Baffle Z Slot Perf Housing / Round Perf Baffle See details on reverse	Upper Optics N None D Down Kit Y Lamp Separator See details on reverse	Run Length <i>Enter the total run length in feet (4ft increments)</i> See details on reverse	Wiring 1 1 cct 2 2 cct 3 1 cct w/ Emergency cct 4 2 cct w/ Emergency cct 5 1 cct w/ Battery Pack 6 2 cct w/ Battery Pack 7 1 cct Dimming Consult website for complete list of standard wiring options	Voltage 1 120V 2 277V 3 347V	Ballast E Standard Ballast Consult website for ballast manufacturer information	Color & Finish W Standard White C Factory Color X Custom Color Consult website for color and finish options			
Mounting Hardware											
<input type="text"/>						<input type="text"/>					
Mount Type Consult separate mounting spec sheet for mount type options						Suspension Length <i>Enter distance from ceiling to top of fixture in inches</i>					

Upgrades & Accessories

Please indicate with check mark.

<input type="checkbox"/> Lamps Included	<input checked="" type="checkbox"/> Lamps Included and Installed
<input type="checkbox"/> Sculptured Endcap See details on reverse	
<input type="checkbox"/> Response Daylight (Integrated Controls) For details visit www.ledalite.com/response	



Centris®

Suspended
Direct/Indirect
2 T5HO - Perf Housing



Photometry Optics MD Round Perf Housing / Solid Baffle w/ Down Kit

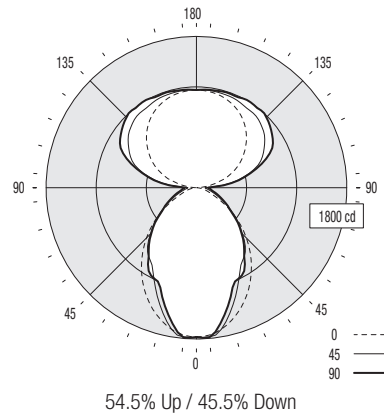
Report Summary

Report # 2101782
Filename 9506H02MD-TD.ies
Efficiency 78.7%

Peak Candela Value* 1206 @ 148°
Peak to Zenith Ratio* 1 : 1
* Between 90-180° vertical angle

Candela Distribution

Vertical Angle	Horizontal Angle					Zonal Lumens
	0	22.5	45	67.5	90	
0	1777	1777	1777	1777	1777	
5	1761	1770	1783	1775	1788	168
15	1632	1634	1546	1443	1458	431
25	1419	1327	1202	1164	1194	576
35	1147	1007	998	1007	996	638
45	846	725	778	753	761	591
55	530	536	542	503	517	472
65	248	315	322	330	354	319
75	115	132	194	213	235	192
85	29	66	119	147	163	119
90	4	56	102	135	138	
95	68	194	304	329	327	279
105	278	436	652	738	671	607
115	512	614	871	1010	969	796
125	689	784	998	1107	1105	847
135	847	915	1083	1177	1183	809
145	977	1021	1120	1195	1202	694
155	1071	1094	1149	1177	1187	526
165	1132	1144	1162	1180	1186	328
175	1158	1161	1167	1171	1172	114
180	1163	1163	1163	1163	1163	



Coefficients of Utilization (%)

Ceiling:	80				70				50				0			
	70	50	30	10	70	50	30	10	50	30	10	0	70	50	30	10
0 RCR	82	82	82	82	75	75	75	61	61	61	32					
1	75	72	69	66	68	65	63	54	52	50	27					
2	69	63	58	54	62	57	53	47	44	42	23					
3	63	55	50	45	57	51	46	42	38	35	20					
4	57	49	43	38	52	45	40	37	33	30	17					
5	53	44	38	33	48	40	35	33	29	26	15					
6	49	39	33	29	44	36	31	30	26	23	13					
7	45	36	29	25	41	33	27	27	23	20	12					
8	42	32	26	22	38	30	25	25	21	18	11					
9	39	29	24	20	35	27	22	23	19	16	10					
10	36	27	21	18	33	25	20	21	17	15	9					

Based on a floor reflectance of 0.2

Avg. Luminance (cd/m²)

Vertical Angle	Horizontal Angle		
	0	45	90
55	3766	2817	2418
65	2392	2002	1918
75	1811	1559	1570
85	1356	1413	1478

IES files for this and other photometric options can be downloaded online at www.ledalite.com

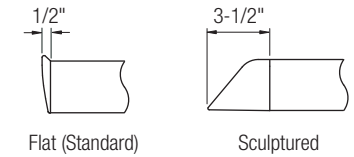
Additional Information

Modules

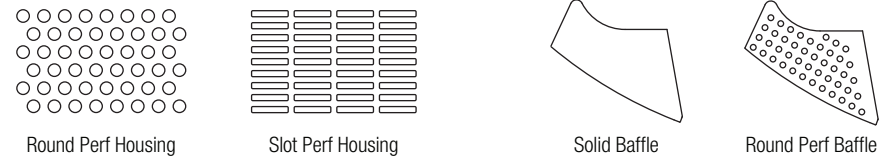
Module length excludes endcaps.
Nominal mount spacing for individually mounted modules.

Module	Mount Spacing
4ft	4' 0"
8ft	8' 0"
12ft	12' 0"

Endcap



Lower Optics



Upper Optics



Specifications

Due to continuing product improvements, Ledalite reserves the right to change specifications without notice.

Housing

Die-formed 20 gauge cold-rolled steel.

Weight

3.0 lb/ft.

Optical System

Direct/Indirect: Constructed of 96% reflective white steel to produce a direct/indirect distribution. Baffles are white blades spaced 2-7/16" apart and are 3/4" deep (18 cells per 4ft section). Perforation of baffles and housing is optional. Perforated housing options include acrylic overlay. Optional field-installable Variable Optics kits provide additional downlight as required.

Semi-Indirect: Constructed of 96% reflective white steel with perforated housing and acrylic overlay to produce a semi-indirect distribution. Perforated housing available in round or slot perforation patterns.

Indirect: Constructed of 96% reflective white steel to produce an indirect distribution.

High performance options use additional highly-specular aluminum reflectors.

Endcaps

Die-cast endcap or optional die-cast sculptured endcap.

Joints

Self-aligning joining system with hands-free pre-joining wire access.

Mounting

Aircraft cable gripper is tamper-resistant and provides infinite vertical adjustment capability. Aircraft cable, crimp and cable gripper independently tested to meet stringent safety requirements.

Electrical

Factory pre-wired to section ends with quick-wire connectors.

Ballast

Electronic.

Approvals

Certified to UL and CSA standards.

Finish

High-quality powder coat. Available in Ledalite Standard White (textured matte finish), and a selection of other factory and customer-specified colors. Consult factory for details.