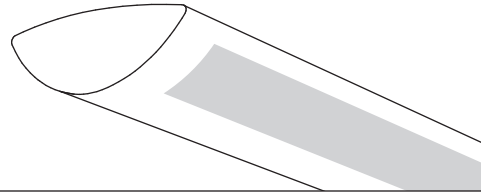


Centris®



Suspended
Semi-Indirect
2 T5HO



Project Name

Spec Type

Notes

Order Guide

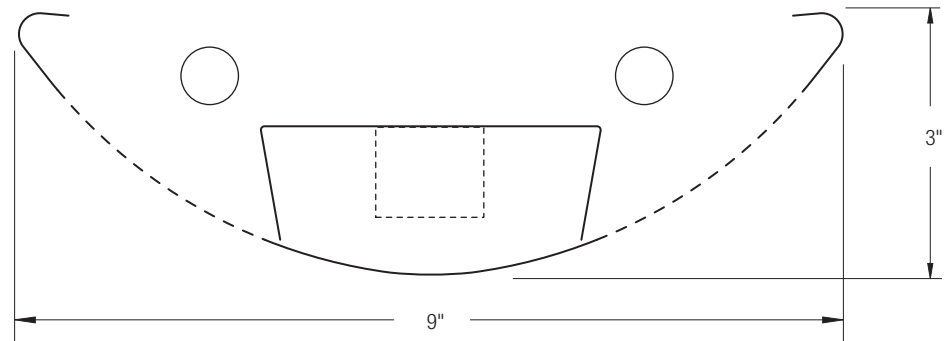
Some combinations of product options may not be available. Consult factory for assistance with your specification.

9505	H02	<input type="text"/>	<input type="text"/>	-	<input type="text"/>	-	<input type="text"/>	-	<input type="text"/>	-	<input type="text"/>
Product Series & Type Centris Semi-Indirect	Lamping 2 T5HO	Lower Optics L Round Perf Housing I Slot Perf Housing	Upper Optics N None	Run Length <i>Enter the total run length in feet (4ft increments)</i>	Wiring 1 1 cct 2 2 cct 3 1 cct w/ Emergency cct 4 2 cct w/ Emergency cct 5 1 cct w/ Battery Pack 6 2 cct w/ Battery Pack 7 1 cct Dimming	Voltage 1 120V 2 277V 3 347V	Ballast E Standard Ballast Consult website for ballast manufacturer information	Color & Finish W Standard White C Factory Color X Custom Color Consult website for color and finish options			
		See details on reverse	See details on reverse	See details on reverse	Consult website for complete list of standard wiring options						
									Mounting Hardware		
									<input type="text"/>		
Mount Type						Suspension Length					
Consult separate mounting spec sheet for mount type options						<i>Enter distance from ceiling to top of fixture in inches</i>					

Upgrades & Accessories

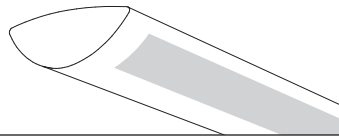
Please indicate with check mark.

<input type="checkbox"/> Lamps Included	<input checked="" type="checkbox"/> Lamps Included and Installed
<input type="checkbox"/> Sculptured Endcap See details on reverse	
<input type="checkbox"/> Response Daylight (Integrated Controls) For details visit www.ledalite.com/response	



Centris®

Suspended
Semi-Indirect
2 T5HO



Photometry Optics IN Slot Perf Housing

Report Summary

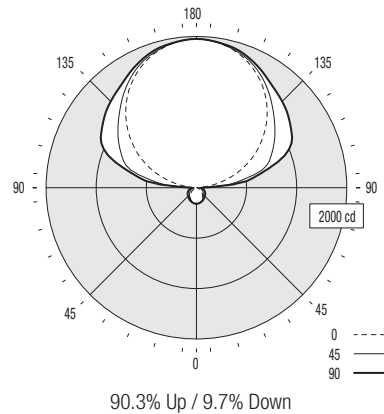
Report # 2101653
Filename 9505H02IN.ies
Efficiency 82.9%

Peak Candela Value* 1968 @ 180°
Peak to Zenith Ratio* 1 : 1

* Between 90-180° vertical angle

Candela Distribution

Vertical Angle	Horizontal Angle					Zonal Lumens
	0	22.5	45	67.5	90	
0	212	212	212	212	212	
5	210	209	210	210	211	20
15	197	196	200	201	203	56
25	175	174	181	185	190	84
35	145	145	156	166	175	98
45	110	110	132	148	158	100
55	69	79	110	132	143	95
65	34	52	88	112	124	84
75	17	29	65	88	99	63
85	5	16	40	61	72	45
90	5	26	38	63	67	
95	93	223	417	399	483	343
105	407	577	904	952	1002	823
115	743	807	1111	1325	1396	1064
125	1048	1075	1275	1452	1515	1138
135	1328	1344	1442	1567	1613	1125
145	1569	1577	1629	1682	1703	1021
155	1756	1755	1790	1814	1823	824
165	1888	1885	1894	1910	1916	537
175	1958	1956	1955	1957	1958	189
180	1968	1968	1968	1968	1968	



Coefficients of Utilization (%)

Ceiling:	80				70				50				0
	70	50	30	10	70	50	30	10	50	30	10	0	
0 RCR	81	81	81	81	70	70	70	50	50	50	6		
1	73	70	66	64	63	60	58	43	41	40	5		
2	66	61	56	52	57	52	49	37	35	33	4		
3	60	53	47	43	52	46	41	33	30	27	3		
4	55	47	40	36	47	40	35	29	26	23	3		
5	50	41	35	30	43	36	31	26	22	19	2		
6	46	37	30	26	40	32	27	23	19	17	2		
7	42	33	27	22	36	29	23	21	17	14	2		
8	39	30	24	19	34	26	21	18	15	13	1		
9	36	27	21	17	31	23	18	17	13	11	1		
10	34	24	19	15	29	21	16	15	12	10	1		

Based on a floor reflectance of 0.2

Avg. Luminance (cd/m²)

Vertical Angle	Horizontal Angle		
	0	45	90
55	490	572	669
65	328	547	672
75	268	522	661
85	234	475	653

IES files for this and other photometric options can be downloaded online at www.ledalite.com

Additional Information

Modules

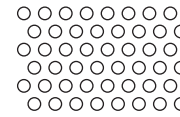
Module length excludes endcaps.
Nominal mount spacing for individually mounted modules.

Module	Mount Spacing
4ft	4' 0"
8ft	8' 0"
12ft	12' 0"

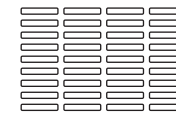
Endcap



Lower Optics



Round Perf Housing



Slot Perf Housing

Specifications

Due to continuing product improvements, Ledalite reserves the right to change specifications without notice.

Housing

Die-formed 20 gauge cold-rolled steel.

Weight

3.0 lb/ft.

Optical System

Direct/Indirect: Constructed of 96% reflective white steel to produce a direct/indirect distribution. Baffles are white blades spaced 2-7/16" apart and are 3/4" deep (18 cells per 4ft section). Perforation of baffles and housing is optional. Perforated housing options include acrylic overlay. Optional field-installable Variable Optics kits provide additional downlight as required.

Semi-Indirect: Constructed of 96% reflective white steel with perforated housing and acrylic overlay to produce a semi-indirect distribution. Perforated housing available in round or slot perforation patterns.

Indirect: Constructed of 96% reflective white steel to produce an indirect distribution.

High performance options use additional highly-specular aluminum reflectors.

Endcaps

Die-cast endcap or optional die-cast sculptured endcap.

Joints

Self-aligning joining system with hands-free pre-joining wire access.

Mounting

Aircraft cable gripper is tamper-resistant and provides infinite vertical adjustment capability. Aircraft cable, crimp and cable gripper independently tested to meet stringent safety requirements.

Electrical

Factory pre-wired to section ends with quick-wire connectors.

Ballast

Electronic.

Approvals

Certified to UL and CSA standards.

Finish

High-quality powder coat. Available in Ledalite Standard White (textured matte finish), and a selection of other factory and customer-specified colors. Consult factory for details.