

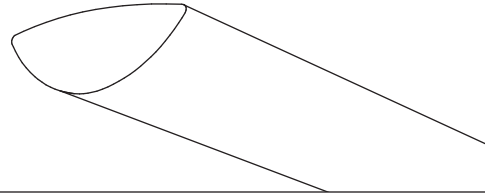
# Centris®



Suspended

Indirect

2 T5HO



Project Name

Spec Type

Notes

## Order Guide

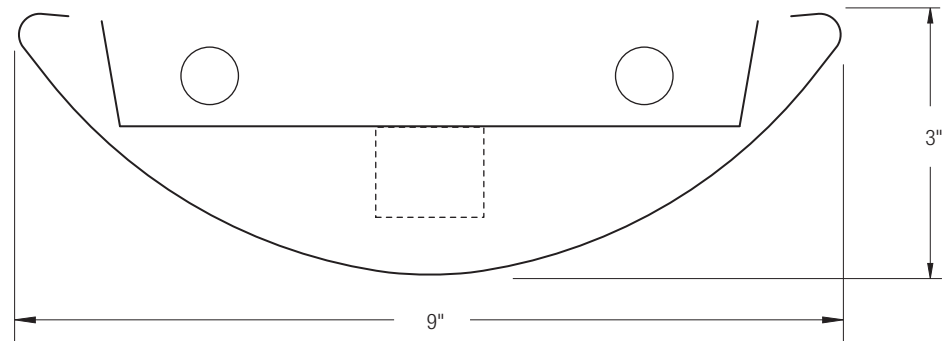
Some combinations of product options may not be available. Consult factory for assistance with your specification.

<b>9503</b>	<b>H02</b>			-		-		-	
<b>Product Series &amp; Type</b> Centris Indirect	<b>Lamping</b> 2 T5HO	<b>Lower Optics</b> E Solid Housing	<b>Upper Optics</b> N None	<b>Run Length</b> <i>Enter the total run length in feet (4ft increments)</i>	<b>Wiring</b> 1 1 cct 2 2 cct 3 1 cct w/ Emergency cct 4 2 cct w/ Emergency cct 5 1 cct w/ Battery Pack 6 2 cct w/ Battery Pack 7 1 cct Dimming	<b>Voltage</b> 1 120V 2 277V 3 347V	<b>Ballast</b> E Standard Ballast  Consult website for ballast manufacturer information	<b>Color &amp; Finish</b> W Standard White C Factory Color X Custom Color  Consult website for color and finish options	
		See details on reverse	See details on reverse	See details on reverse	Consult website for complete list of standard wiring options				
<b>Mounting Hardware</b>									
				<b>Mount Type</b>		<b>Suspension Length</b> <i>Enter distance from ceiling to top of fixture in inches</i>			
				Consult separate mounting spec sheet for mount type options					

## Upgrades & Accessories

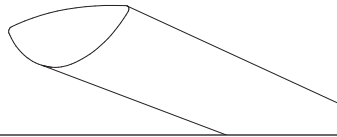
Please indicate with check mark.

<input type="checkbox"/> Lamps Included	<input checked="" type="checkbox"/> Lamps Included and Installed
<input type="checkbox"/> Sculptured Endcap See details on reverse	
<input type="checkbox"/> Response Daylight (Integrated Controls) For details visit <a href="http://www.ledalite.com/response">www.ledalite.com/response</a>	



# Centris®

Suspended  
Indirect  
2 T5HO



## Photometry Optics EN

### Report Summary

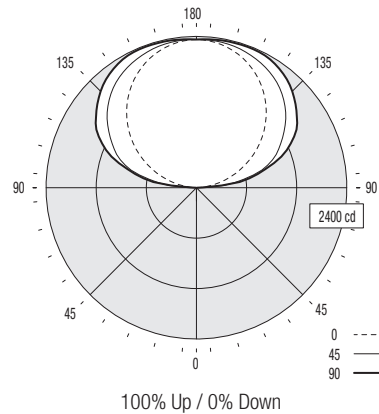
Report # 2101711  
Filename 9503H02EN.ies  
Efficiency 95.9%

Peak Candela Value\* 2379 @ 160°  
Peak to Zenith Ratio\* 1 : 1  
\* Between 90-180° vertical angle

Meets RP-1-04 recommendations for VDT-Intensive spaces

### Candela Distribution

Vertical Angle	Horizontal Angle					Zonal Lumens
	0	22.5	45	67.5	90	
0	0	0	0	0	0	
5	0	0	0	0	0	0
15	0	0	0	0	0	0
25	0	0	0	0	0	0
35	0	0	0	0	0	0
45	0	0	0	0	0	0
55	0	0	0	0	0	0
65	0	0	0	0	0	0
75	0	0	0	0	0	0
85	0	0	0	0	0	0
90	5	4	13	6	8	
95	113	267	458	389	406	367
105	475	770	1082	1119	1139	990
115	858	1119	1448	1621	1661	1345
125	1234	1460	1729	1899	1957	1494
135	1572	1730	1970	2121	2163	1484
145	1862	1966	2143	2269	2305	1325
155	2092	2153	2252	2343	2374	1037
165	2252	2281	2324	2362	2376	656
175	2339	2344	2352	2359	2363	228
180	2352	2352	2352	2352	2352	



### Coefficients of Utilization (%)

Ceiling:	80				70				50				0
	70	50	30	10	70	50	30	10	50	30	10	0	
0 RCR	91	91	91	91	78	78	78	53	53	53	0		
1	83	79	76	73	71	68	65	46	44	43	0		
2	75	69	64	59	64	59	55	40	38	35	0		
3	69	60	54	49	58	52	46	35	32	30	0		
4	63	53	46	41	53	45	40	31	28	25	0		
5	57	47	40	35	48	40	34	28	24	21	0		
6	52	42	35	29	44	36	30	25	21	18	0		
7	48	37	30	25	41	32	26	22	18	15	0		
8	44	34	27	22	38	29	23	20	16	13	0		
9	41	30	24	19	35	26	20	18	14	12	0		
10	38	27	21	17	32	24	18	16	13	10	0		

Based on a floor reflectance of 0.2

### Avg. Luminance (cd/m<sup>2</sup>)

Vertical Angle	Horizontal Angle		
	0	45	90
55	0	0	0
65	0	0	0
75	0	0	0
85	0	0	0

IES files for this and other photometric options can be downloaded online at [www.ledalite.com](http://www.ledalite.com)

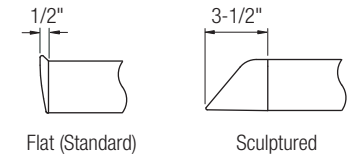
## Additional Information

### Modules

Module length excludes endcaps.  
Nominal mount spacing for individually mounted modules.

Module	Mount Spacing
4ft	4' 0"
8ft	8' 0"
12ft	12' 0"

### Endcap



## Specifications

Due to continuing product improvements, Ledalite reserves the right to change specifications without notice.

### Housing

Die-formed 20 gauge cold-rolled steel.

### Weight

3.0 lb/ft.

### Optical System

Direct/Indirect: Constructed of 96% reflective white steel to produce a direct/indirect distribution. Baffles are white blades spaced 2-7/16" apart and are 3/4" deep (18 cells per 4ft section). Perforation of baffles and housing is optional. Perforated housing options include acrylic overlay. Optional field-installable Variable Optics kits provide additional downlight as required.

Semi-Indirect: Constructed of 96% reflective white steel with perforated housing and acrylic overlay to produce a semi-indirect distribution. Perforated housing available in round or slot perforation patterns.

Indirect: Constructed of 96% reflective white steel to produce an indirect distribution.

High performance options use additional highly-specular aluminum reflectors.

### Endcaps

Die-cast endcap or optional die-cast sculptured endcap.

### Joints

Self-aligning joining system with hands-free pre-joining wire access.

### Mounting

Aircraft cable gripper is tamper-resistant and provides infinite vertical adjustment capability. Aircraft cable, crimp and cable gripper independently tested to meet stringent safety requirements.

### Electrical

Factory pre-wired to section ends with quick-wire connectors.

### Ballast

Electronic.

### Approvals

Certified to UL and CSA standards.

### Finish

High-quality powder coat. Available in Ledalite Standard White (textured matte finish), and a selection of other factory and customer-specified colors. Consult factory for details.