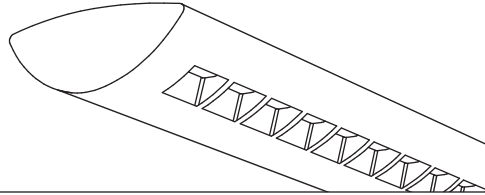


Centris®



Suspended
 Direct/Indirect
 2 T5HO - Solid Housing



Project Name

Spec Type

Notes



Order Guide

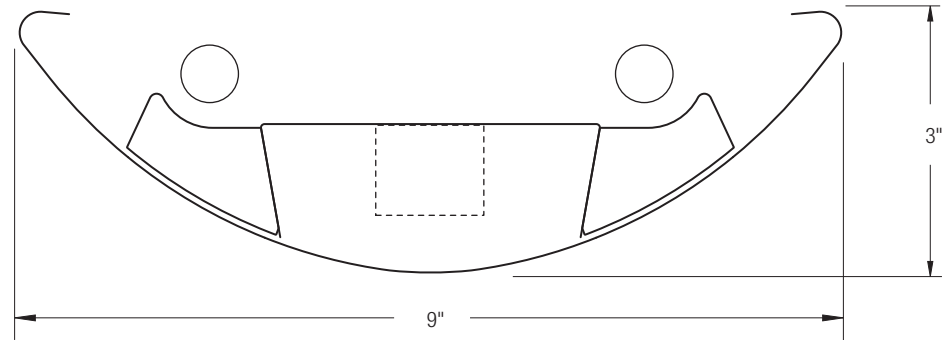
Some combinations of product options may not be available. Consult factory for assistance with your specification.

9506	H02			-		-		-	
Product Series & Type Centris Direct/Indirect	Lamping 2 T5HO	Lower Optics C Solid Baffle R Round Perf Baffle	Upper Optics N None D Down Kit Y Lamp Separator	Run Length <i>Enter the total run length in feet (4ft increments)</i>	Wiring 1 1 cct 2 2 cct 3 1 cct w/ Emergency cct 4 2 cct w/ Emergency cct 5 1 cct w/ Battery Pack 6 2 cct w/ Battery Pack 7 1 cct Dimming	Voltage 1 120V 2 277V 3 347V	Ballast E Standard Ballast Consult website for ballast manufacturer information	Color & Finish W Standard White C Factory Color X Custom Color Consult website for color and finish options	
Mounting Hardware									
<input type="text"/>									
<input type="text"/>									
Mount Type						Suspension Length			
Consult separate mounting spec sheet for mount type options						<i>Enter distance from ceiling to top of fixture in inches</i>			

Upgrades & Accessories

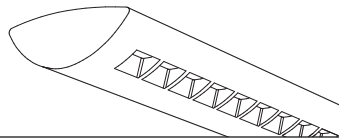
Please indicate with check mark.

<input type="checkbox"/> Lamps Included	<input checked="" type="checkbox"/> Lamps Included and Installed
<input type="checkbox"/> Sculptured Endcap See details on reverse	
<input type="checkbox"/> Response Daylight (Integrated Controls) For details visit www.ledalite.com/response	



Centris®

Suspended
Direct/Indirect
2 T5HO - Solid Housing



Photometry Optics CN Solid Baffle

Report Summary

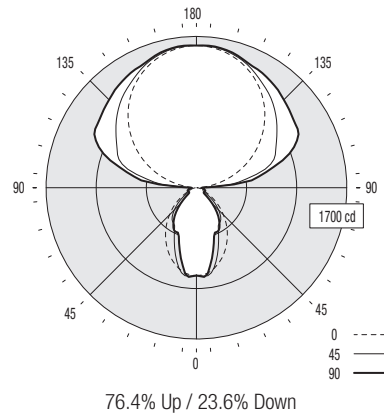
Report # 2101640
Filename 9506H02CN-RN.ies
Efficiency 82.2%

Peak Candela Value* 1602 @ 175°
Peak to Zenith Ratio* 1 : 1

* Between 90-180° vertical angle

Candela Distribution

Vertical Angle	Horizontal Angle					Zonal Lumens
	0	22.5	45	67.5	90	
0	987	987	987	987	987	
5	979	981	998	999	1007	95
15	901	915	857	745	730	232
25	770	726	593	533	548	290
35	609	510	469	445	447	303
45	431	338	355	266	254	250
55	259	254	190	101	99	165
65	113	131	82	96	103	106
75	55	54	77	91	99	79
85	15	33	56	63	68	55
90	5	34	48	61	59	
95	84	222	379	363	427	316
105	339	524	804	847	904	735
115	613	712	988	1191	1254	944
125	865	922	1111	1274	1338	989
135	1092	1123	1249	1357	1397	961
145	1286	1306	1365	1439	1461	859
155	1434	1449	1474	1493	1505	679
165	1536	1546	1557	1567	1573	439
175	1590	1592	1596	1601	1602	154
180	1598	1598	1598	1598	1598	



Coefficients of Utilization (%)

Ceiling:	80				70				50				0
	70	50	30	10	70	50	30	10	50	30	10	0	
0 RCR	82	82	82	82	73	73	73	55	55	55	16		
1	75	72	69	66	66	63	61	48	46	45	14		
2	68	63	58	54	60	56	52	42	40	37	12		
3	62	55	50	45	55	49	44	37	34	32	10		
4	57	49	43	38	50	44	38	33	30	27	9		
5	52	44	37	33	46	39	34	30	26	23	8		
6	48	39	33	28	43	35	30	27	23	20	7		
7	45	35	29	25	39	31	26	24	21	18	7		
8	41	32	26	22	36	28	23	22	18	16	6		
9	38	29	23	19	34	26	21	20	17	14	5		
10	36	26	21	17	32	24	19	19	15	13	5		

Based on a floor reflectance of 0.2

Avg. Luminance (cd/m²)

Vertical Angle	Horizontal Angle		
	0	45	90
55	1840	987	463
65	1090	510	558
75	866	619	661
85	701	665	617

IES files for this and other photometric options can be downloaded online at www.ledalite.com

Additional Information

Modules

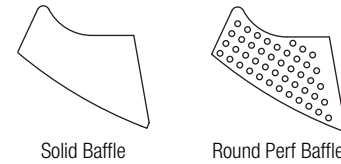
Module length excludes endcaps.
Nominal mount spacing for individually mounted modules.

Module	Mount Spacing
4ft	4' 0"
8ft	8' 0"
12ft	12' 0"

Endcap



Lower Optics



Upper Optics



Specifications

Due to continuing product improvements, Ledalite reserves the right to change specifications without notice.

Housing

Die-formed 20 gauge cold-rolled steel.

Weight

3.0 lb/ft.

Optical System

Direct/Indirect: Constructed of 96% reflective white steel to produce a direct/indirect distribution. Baffles are white blades spaced 2-7/16" apart and are 3/4" deep (18 cells per 4ft section). Perforation of baffles and housing is optional. Perforated housing options include acrylic overlay. Optional field-installable Variable Optics kits provide additional downlight as required.

Semi-Indirect: Constructed of 96% reflective white steel with perforated housing and acrylic overlay to produce a semi-indirect distribution. Perforated housing available in round or slot perforation patterns.

Indirect: Constructed of 96% reflective white steel to produce an indirect distribution.

High performance options use additional highly-specular aluminum reflectors.

Endcaps

Die-cast endcap or optional die-cast sculptured endcap.

Joints

Self-aligning joining system with hands-free pre-joining wire access.

Mounting

Aircraft cable gripper is tamper-resistant and provides infinite vertical adjustment capability. Aircraft cable, crimp and cable gripper independently tested to meet stringent safety requirements.

Electrical

Factory pre-wired to section ends with quick-wire connectors.

Ballast

Electronic.

Approvals

Certified to UL and CSA standards.

Finish

High-quality powder coat. Available in Ledalite Standard White (textured matte finish), and a selection of other factory and customer-specified colors. Consult factory for details.