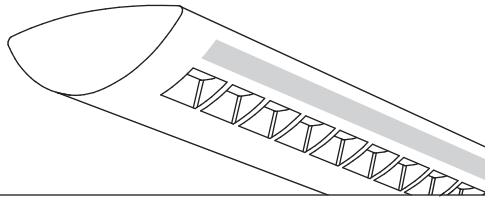


Centris®



Suspended
 Direct/Indirect
 1 T5HO - Perf Housing



Project Name

Spec Type

Notes



Order Guide

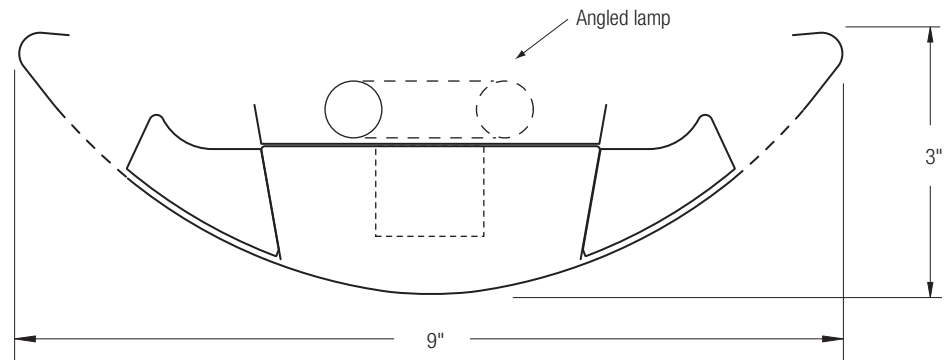
Some combinations of product options may not be available. Consult factory for assistance with your specification.

| | | | | | | | | | |
|-------------------------------------------------------------|--------------------------|---------------------------------------------------------------------------------------------------------------------------------------------------------------------------------------------------------------------|--------------------------------------|----------------------------------------------------------------------------------|--------------------------------------------------------------------------------------------------------------------------------|--------------------------------------------------------------------------------------------|---------------------------------------------------------------------------------------------------------|-------------------------------------------------------------------------------------------------------------------------------------------------------------|--|
| 9506 | H01 | | | - | | - | | - | |
| Product Series & Type Centris Direct/Indirect | Lamping 1 T5HO | Lower Optics M Round Perf Housing / Solid Baffle T Round Perf Housing / Round Perf Baffle U Slot Perf Housing / Solid Baffle Z Slot Perf Housing / Round Perf Baffle | Upper Optics N None | Run Length <i>Enter the total run length in feet (4ft increments)</i> | Wiring 1 1 cct 3 1 cct w/ Emergency cct 5 1 cct w/ Battery Pack 7 1 cct Dimming | Voltage 1 120V 2 277V 3 347V | Ballast E Standard Ballast Consult website for ballast manufacturer information | Color & Finish W Standard White C Factory Color X Custom Color Consult website for color and finish options | |
| Mounting Hardware | | | | | | | | | |
| | | | | | | | | | |
| | | | | Mount Type Consult separate mounting spec sheet for mount type options | | Suspension Length <i>Enter distance from ceiling to top of fixture in inches</i> | | | |

Upgrades & Accessories

Please indicate with check mark.

| | |
|----------------------------------------------------------------------------------------------------------------------------------------------------------------|------------------------------------------------------------------|
| <input type="checkbox"/> Lamps Included | <input checked="" type="checkbox"/> Lamps Included and Installed |
| <input type="checkbox"/> Sculptured Endcap See details on reverse | |
| <input type="checkbox"/> Response Daylight (Integrated Controls) For details visit www.ledalite.com/response | |



Centris®

Suspended
Direct/Indirect
1 T5HO - Perf Housing



Photometry Optics UN Slot Perf Housing / Solid Baffle

Report Summary

Report # 2101634
Filename 9506H01UN-ZN.ies
Efficiency 94.7%

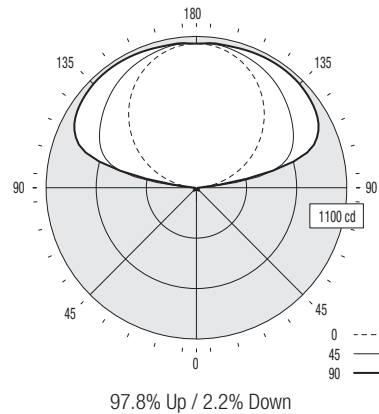
Peak Candela Value* 1073 @ 145°
Peak to Zenith Ratio* 1 : 1

* Between 90-180° vertical angle

Meets RP-1-04 recommendations for VDT-Intensive spaces

Candela Distribution

| Vertical Angle | Horizontal Angle | | | | | Zonal Lumens |
|----------------|------------------|------|------|------|------|--------------|
| | 0 | 22.5 | 45 | 67.5 | 90 | |
| 0 | 14 | 14 | 14 | 14 | 14 | |
| 5 | 14 | 14 | 14 | 14 | 14 | 2 |
| 15 | 13 | 14 | 14 | 14 | 14 | 4 |
| 25 | 13 | 13 | 14 | 16 | 16 | 7 |
| 35 | 12 | 11 | 16 | 22 | 24 | 11 |
| 45 | 10 | 11 | 20 | 27 | 27 | 16 |
| 55 | 9 | 13 | 19 | 16 | 16 | 13 |
| 65 | 9 | 12 | 12 | 13 | 14 | 12 |
| 75 | 8 | 8 | 10 | 11 | 11 | 10 |
| 85 | 6 | 6 | 8 | 9 | 9 | 8 |
| 90 | 4 | 7 | 10 | 12 | 9 | |
| 95 | 59 | 142 | 120 | 43 | 45 | 138 |
| 105 | 210 | 421 | 647 | 701 | 737 | 571 |
| 115 | 386 | 535 | 780 | 929 | 985 | 723 |
| 125 | 550 | 648 | 851 | 996 | 1043 | 737 |
| 135 | 700 | 763 | 913 | 1028 | 1067 | 694 |
| 145 | 830 | 870 | 968 | 1046 | 1073 | 602 |
| 155 | 933 | 956 | 1008 | 1053 | 1068 | 464 |
| 165 | 1005 | 1018 | 1037 | 1052 | 1059 | 293 |
| 175 | 1043 | 1044 | 1050 | 1055 | 1056 | 103 |
| 180 | 1048 | 1048 | 1048 | 1048 | 1048 | |



Coefficients of Utilization (%)

| Ceiling: Walk: | 80 | | | | 70 | | | | 50 | | | | 0 |
|-------------------|----|----|----|----|----|----|----|----|----|----|----|---|---|
| | 70 | 50 | 30 | 10 | 70 | 50 | 30 | 10 | 50 | 30 | 10 | 0 | |
| 0 RCR | 90 | 90 | 90 | 90 | 77 | 77 | 77 | 53 | 53 | 53 | 1 | | |
| 1 | 82 | 78 | 74 | 71 | 70 | 67 | 64 | 46 | 44 | 43 | 1 | | |
| 2 | 74 | 68 | 62 | 58 | 63 | 58 | 54 | 40 | 37 | 35 | 1 | | |
| 3 | 67 | 59 | 53 | 48 | 57 | 51 | 46 | 35 | 32 | 29 | 0 | | |
| 4 | 61 | 52 | 45 | 40 | 52 | 45 | 39 | 31 | 27 | 25 | 0 | | |
| 5 | 56 | 46 | 39 | 34 | 48 | 40 | 34 | 27 | 24 | 21 | 0 | | |
| 6 | 51 | 41 | 34 | 29 | 44 | 35 | 29 | 24 | 21 | 18 | 0 | | |
| 7 | 47 | 37 | 30 | 25 | 40 | 32 | 26 | 22 | 18 | 15 | 0 | | |
| 8 | 44 | 33 | 26 | 22 | 37 | 28 | 23 | 20 | 16 | 13 | 0 | | |
| 9 | 40 | 30 | 23 | 19 | 34 | 26 | 20 | 18 | 14 | 12 | 0 | | |
| 10 | 37 | 27 | 21 | 16 | 32 | 23 | 18 | 16 | 13 | 10 | 0 | | |

Based on a floor reflectance of 0.2

Avg. Luminance (cd/m²)

| Vertical Angle | Horizontal Angle | | |
|----------------|------------------|----|----|
| | 0 | 45 | 90 |
| 55 | 64 | 99 | 75 |
| 65 | 87 | 75 | 76 |
| 75 | 126 | 80 | 73 |
| 85 | 281 | 95 | 82 |

IES files for this and other photometric options can be downloaded online at www.ledalite.com

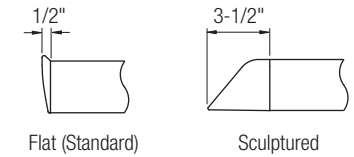
Additional Information

Modules

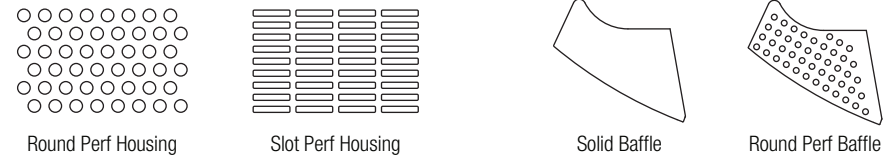
Module length excludes endcaps.
Nominal mount spacing for individually mounted modules.

| Module | Mount Spacing |
|--------|---------------|
| 4ft | 4' 0" |
| 8ft | 8' 0" |
| 12ft | 12' 0" |

Endcap



Lower Optics



Specifications

Due to continuing product improvements, Ledalite reserves the right to change specifications without notice.

Housing

Die-formed 20 gauge cold-rolled steel.

Weight

3.0 lb/ft.

Optical System

Direct/Indirect: Constructed of 96% reflective white steel to produce a direct/indirect distribution. Baffles are white blades spaced 2-7/16" apart and are 3/4" deep (18 cells per 4ft section). Perforation of baffles and housing is optional. Perforated housing options include acrylic overlay. Optional field-installable Variable Optics kits provide additional downlight as required.

Semi-Indirect: Constructed of 96% reflective white steel with perforated housing and acrylic overlay to produce a semi-indirect distribution. Perforated housing available in round or slot perforation patterns.

Indirect: Constructed of 96% reflective white steel to produce an indirect distribution.

High performance options use additional highly-specular aluminum reflectors.

Endcaps

Die-cast endcap or optional die-cast sculptured endcap.

Joints

Self-aligning joining system with hands-free pre-joining wire access.

Mounting

Aircraft cable gripper is tamper-resistant and provides infinite vertical adjustment capability. Aircraft cable, crimp and cable gripper independently tested to meet stringent safety requirements.

Electrical

Factory pre-wired to section ends with quick-wire connectors.

Ballast

Electronic.

Approvals

Certified to UL and CSA standards.

Finish

High-quality powder coat. Available in Ledalite Standard White (textured matte finish), and a selection of other factory and customer-specified colors. Consult factory for details.