

# Centris®



Suspended  
 Direct/Indirect  
 1 T5HO - Perf Housing



Project Name

Spec Type

Notes



## Order Guide

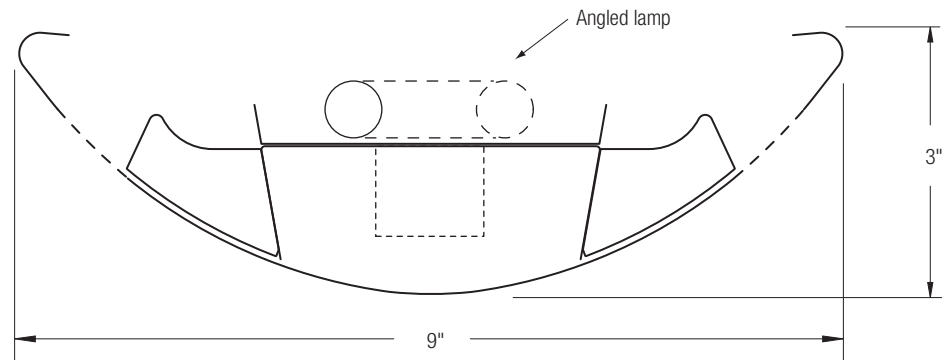
Some combinations of product options may not be available. Consult factory for assistance with your specification.

<b>9506</b>	<b>H01</b>			-		-		-	
<b>Product Series &amp; Type</b> Centris Direct/Indirect	<b>Lamping</b> 1 T5HO	<b>Lower Optics</b> <b>M</b> Round Perf Housing / Solid Baffle <b>T</b> Round Perf Housing / Round Perf Baffle <b>U</b> Slot Perf Housing / Solid Baffle <b>Z</b> Slot Perf Housing / Round Perf Baffle <small>See details on reverse</small>	<b>Upper Optics</b> <b>N</b> None <small>See details on reverse</small>	<b>Run Length</b> <i>Enter the total run length in feet (4ft increments)</i> <small>See details on reverse</small>	<b>Wiring</b> <b>1</b> 1 cct <b>3</b> 1 cct w/ Emergency cct <b>5</b> 1 cct w/ Battery Pack <b>7</b> 1 cct Dimming <small>Consult website for complete list of standard wiring options</small>	<b>Voltage</b> <b>1</b> 120V <b>2</b> 277V <b>3</b> 347V	<b>Ballast</b> <b>E</b> Standard Ballast <small>Consult website for ballast manufacturer information</small>	<b>Color &amp; Finish</b> <b>W</b> Standard White <b>C</b> Factory Color <b>X</b> Custom Color <small>Consult website for color and finish options</small>	
<b>Mounting Hardware</b>									
				<b>Mount Type</b> <small>Consult separate mounting spec sheet for mount type options</small>		<b>Suspension Length</b> <i>Enter distance from ceiling to top of fixture in inches</i>			

## Upgrades & Accessories

Please indicate with check mark.

<input type="checkbox"/> Lamps Included	<input checked="" type="checkbox"/> Lamps Included and Installed
<input type="checkbox"/> Sculptured Endcap <small>See details on reverse</small>	
<input type="checkbox"/> Response Daylight (Integrated Controls) <small>For details visit <a href="http://www.ledalite.com/response">www.ledalite.com/response</a></small>	



# Centris®

Suspended  
Direct/Indirect  
1 T5HO - Perf Housing



## Photometry Optics TN Round Perf Housing / Round Perf Baffle

### Report Summary

**Report #** 2101634  
**Filename** 9506H01MN-TN.ies  
**Efficiency** 94.7%

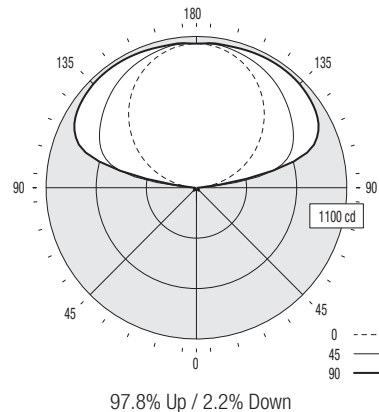
**Peak Candela Value\*** 1073 @ 145°  
**Peak to Zenith Ratio\*** 1 : 1

\* Between 90-180° vertical angle

Meets RP-1-04 recommendations for VDT-Intensive spaces

### Candela Distribution

Vertical Angle	Horizontal Angle					Zonal Lumens
	0	22.5	45	67.5	90	
0	14	14	14	14	14	
5	14	14	14	14	14	2
15	13	14	14	14	14	4
25	13	13	14	16	16	7
35	12	11	16	22	24	11
45	10	11	20	27	27	16
55	9	13	19	16	16	13
65	9	12	12	13	14	12
75	8	8	10	11	11	10
85	6	6	8	9	9	8
90	4	7	10	12	9	
95	59	142	120	43	45	138
105	210	421	647	701	737	571
115	386	535	780	929	985	723
125	550	648	851	996	1043	737
135	700	763	913	1028	1067	694
145	830	870	968	1046	1073	602
155	933	956	1008	1053	1068	464
165	1005	1018	1037	1052	1059	293
175	1043	1044	1050	1055	1056	103
180	1048	1048	1048	1048	1048	



### Coefficients of Utilization (%)

Ceiling: Walk:	80				70				50				0
	70	50	30	10	70	50	30	10	50	30	10	0	
0 RCR	90	90	90	90	77	77	77	53	53	53	1		
1	82	78	74	71	70	67	64	46	44	43	1		
2	74	68	62	58	63	58	54	40	37	35	1		
3	67	59	53	48	57	51	46	35	32	29	0		
4	61	52	45	40	52	45	39	31	27	25	0		
5	56	46	39	34	48	40	34	27	24	21	0		
6	51	41	34	29	44	35	29	24	21	18	0		
7	47	37	30	25	40	32	26	22	18	15	0		
8	44	33	26	22	37	28	23	20	16	13	0		
9	40	30	23	19	34	26	20	18	14	12	0		
10	37	27	21	16	32	23	18	16	13	10	0		

Based on a floor reflectance of 0.2

### Avg. Luminance (cd/m²)

Vertical Angle	Horizontal Angle		
	0	45	90
55	64	99	75
65	87	75	76
75	126	80	73
85	281	95	82

IES files for this and other photometric options can be downloaded online at [www.ledalite.com](http://www.ledalite.com)

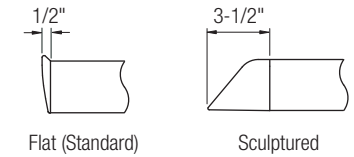
## Additional Information

### Modules

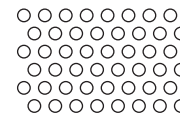
Module length excludes endcaps.  
Nominal mount spacing for individually mounted modules.

Module	Mount Spacing
4ft	4' 0"
8ft	8' 0"
12ft	12' 0"

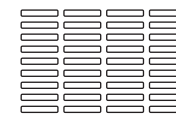
### Endcap



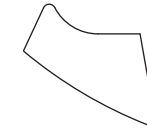
### Lower Optics



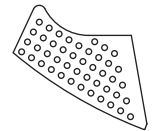
Round Perf Housing



Slot Perf Housing



Solid Baffle



Round Perf Baffle

## Specifications

Due to continuing product improvements, Ledalite reserves the right to change specifications without notice.

### Housing

Die-formed 20 gauge cold-rolled steel.

### Weight

3.0 lb/ft.

### Optical System

Direct/Indirect: Constructed of 96% reflective white steel to produce a direct/indirect distribution. Baffles are white blades spaced 2-7/16" apart and are 3/4" deep (18 cells per 4ft section). Perforation of baffles and housing is optional. Perforated housing options include acrylic overlay. Optional field-installable Variable Optics kits provide additional downlight as required.

Semi-Indirect: Constructed of 96% reflective white steel with perforated housing and acrylic overlay to produce a semi-indirect distribution. Perforated housing available in round or slot perforation patterns.

Indirect: Constructed of 96% reflective white steel to produce an indirect distribution.

High performance options use additional highly-specular aluminum reflectors.

### Endcaps

Die-cast endcap or optional die-cast sculptured endcap.

### Joints

Self-aligning joining system with hands-free pre-joining wire access.

### Mounting

Aircraft cable gripper is tamper-resistant and provides infinite vertical adjustment capability. Aircraft cable, crimp and cable gripper independently tested to meet stringent safety requirements.

### Electrical

Factory pre-wired to section ends with quick-wire connectors.

### Ballast

Electronic.

### Approvals

Certified to UL and CSA standards.

### Finish

High-quality powder coat. Available in Ledalite Standard White (textured matte finish), and a selection of other factory and customer-specified colors. Consult factory for details.