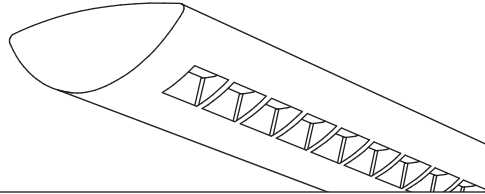


Centris®



Suspended
 Direct/Indirect
 1 T5HO - Solid Housing



Project Name

Spec Type

Notes



Order Guide

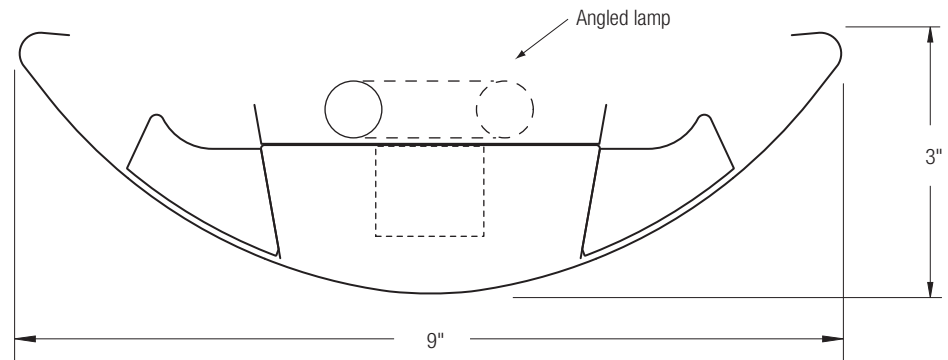
Some combinations of product options may not be available. Consult factory for assistance with your specification.

9506	H01			-		-		-	
Product Series & Type Centris Direct/Indirect	Lamping 1 T5HO	Lower Optics C Solid Baffle R Round Perf Baffle	Upper Optics N None	Run Length <i>Enter the total run length in feet (4ft increments)</i>	Wiring 1 1 cct 3 1 cct w/ Emergency cct 5 1 cct w/ Battery Pack 7 1 cct Dimming	Voltage 1 120V 2 277V 3 347V	Ballast E Standard Ballast Consult website for ballast manufacturer information	Color & Finish W Standard White C Factory Color X Custom Color Consult website for color and finish options	
<h3>Mounting Hardware</h3>									
Mount Type						Suspension Length			
Consult separate mounting spec sheet for mount type options						Enter distance from ceiling to top of fixture in inches			

Upgrades & Accessories

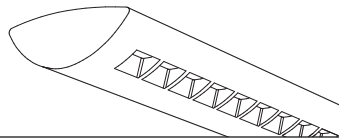
Please indicate with check mark.

<input type="checkbox"/> Lamps Included	<input checked="" type="checkbox"/> Lamps Included and Installed
<input type="checkbox"/> Sculptured Endcap See details on reverse	
<input type="checkbox"/> Response Daylight (Integrated Controls) For details visit www.ledalite.com/response	



Centris®

Suspended
Direct/Indirect
1 T5HO - Solid Housing



Photometry Optics CN Solid Baffle

Report Summary

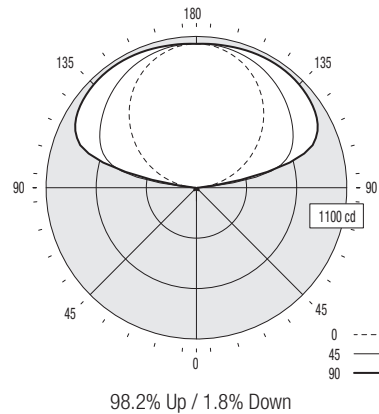
Report # 2101633
Filename 9506H01CN-RN.ies
Efficiency 93.6%

Peak Candela Value* 1070 @ 145°
Peak to Zenith Ratio* 1 : 1
* Between 90-180° vertical angle

Meets RP-1-04 recommendations for VDT-Intensive spaces

Candela Distribution

Vertical Angle	Horizontal Angle				Zonal Lumens
	0	22.5	45	67.5	
0	9	9	9	9	9
5	9	9	10	10	10
15	9	10	11	11	11
25	9	10	10	13	13
35	9	9	13	19	21
45	8	9	17	23	23
55	7	11	16	12	12
65	6	10	10	10	10
75	7	6	7	8	8
85	5	5	6	7	6
90	3	6	8	8	7
95	55	137	99	35	34
105	203	421	640	693	707
115	375	535	777	925	978
125	541	651	850	993	1038
135	694	766	912	1025	1062
145	826	867	965	1043	1070
155	930	951	1007	1051	1067
165	1002	1011	1034	1051	1058
175	1042	1042	1047	1049	1050
180	1047	1047	1047	1047	1047



Coefficients of Utilization (%)

Ceiling: Walk:	80				70				50				0
	70	50	30	10	70	50	30	10	50	30	10	0	
0 RCR	89	89	89	89	76	76	76	52	52	52	1	1	
1	81	77	73	70	69	66	63	45	44	42	1	1	
2	73	67	62	57	62	57	53	39	37	35	0	0	
3	67	59	52	47	57	50	45	35	31	29	0	0	
4	61	52	45	40	52	44	39	30	27	24	0	0	
5	55	46	39	33	47	39	33	27	23	21	0	0	
6	51	40	34	29	43	35	29	24	20	18	0	0	
7	47	36	29	25	40	31	25	22	18	15	0	0	
8	43	32	26	21	37	28	22	19	16	13	0	0	
9	40	29	23	19	34	25	20	17	14	11	0	0	
10	37	27	20	16	31	23	18	16	12	10	0	0	

Based on a floor reflectance of 0.2

Avg. Luminance (cd/m²)

Vertical Angle	Horizontal Angle		
	0	45	90
55	50	83	56
65	58	62	54
75	110	56	53
85	234	71	54

IES files for this and other photometric options can be downloaded online at www.ledalite.com

Additional Information

Modules

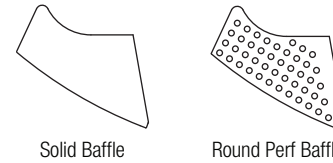
Module length excludes endcaps.
Nominal mount spacing for individually mounted modules.

Module	Mount Spacing
4ft	4' 0"
8ft	8' 0"
12ft	12' 0"

Endcap



Lower Optics



Specifications

Due to continuing product improvements, Ledalite reserves the right to change specifications without notice.

Housing

Die-formed 20 gauge cold-rolled steel.

Weight

3.0 lb/ft.

Optical System

Direct/Indirect: Constructed of 96% reflective white steel to produce a direct/indirect distribution. Baffles are white blades spaced 2-7/16" apart and are 3/4" deep (18 cells per 4ft section). Perforation of baffles and housing is optional. Perforated housing options include acrylic overlay. Optional field-installable Variable Optics kits provide additional downlight as required.

Semi-Indirect: Constructed of 96% reflective white steel with perforated housing and acrylic overlay to produce a semi-indirect distribution. Perforated housing available in round or slot perforation patterns.

Indirect: Constructed of 96% reflective white steel to produce an indirect distribution.

High performance options use additional highly-specular aluminum reflectors.

Endcaps

Die-cast endcap or optional die-cast sculptured endcap.

Joints

Self-aligning joining system with hands-free pre-joining wire access.

Mounting

Aircraft cable gripper is tamper-resistant and provides infinite vertical adjustment capability. Aircraft cable, crimp and cable gripper independently tested to meet stringent safety requirements.

Electrical

Factory pre-wired to section ends with quick-wire connectors.

Ballast

Electronic.

Approvals

Certified to UL and CSA standards.

Finish

High-quality powder coat. Available in Ledalite Standard White (textured matte finish), and a selection of other factory and customer-specified colors. Consult factory for details.