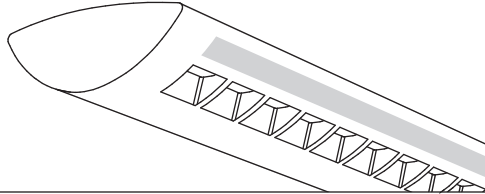


Suspended
Direct/Indirect (High Performance)
4 T8 - Perf Housing



Project Name

Spec Type

Notes




Order Guide

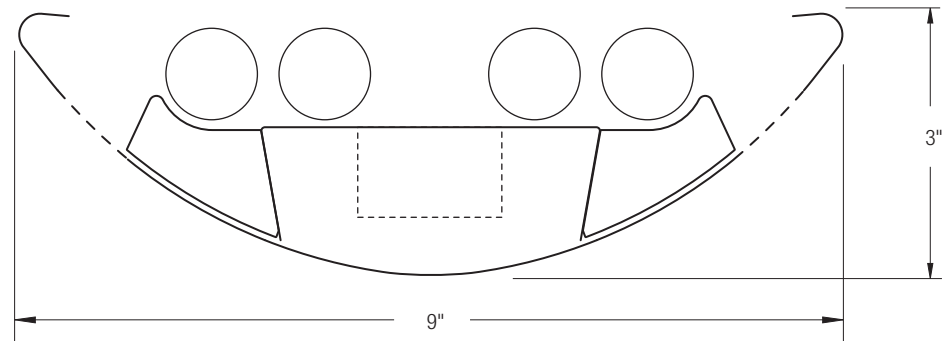
Some combinations of product options may not be available. Consult factory for assistance with your specification.

9507	T04	<input type="text"/>	<input type="text"/>	-	<input type="text"/>	-	<input type="text"/>	-	<input type="text"/>	-	<input type="text"/>
Product Series & Type Centris Direct/Indirect (High Performance)	Lamping 4 T8	Lower Optics M Round Perf Housing / Solid Baffle T Round Perf Housing / Round Perf Baffle U Slot Perf Housing / Solid Baffle Z Slot Perf Housing / Round Perf Baffle	Upper Optics N None D Down Kit Y Lamp Separator	Run Length <i>Enter the total run length in feet (4ft increments)</i>	Wiring 1 1 cct 2 2 cct 3 1 cct w/ Emergency cct 4 2 cct w/ Emergency cct 5 1 cct w/ Battery Pack 6 2 cct w/ Battery Pack 7 1 cct Dimming	Voltage 1 120V 2 277V 3 347V	Ballast E Standard Ballast Consult website for ballast manufacturer information	Color & Finish W Standard White C Factory Color X Custom Color Consult website for color and finish options			
Mounting Hardware											
<input type="text"/>					<input type="text"/>						
Mount Type Consult separate mounting spec sheet for mount type options					Suspension Length <i>Enter distance from ceiling to top of fixture in inches</i>						

Upgrades & Accessories

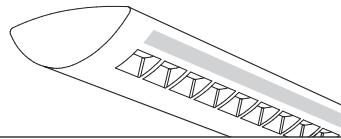
Please indicate with check mark.

<input type="checkbox"/> Lamps Included	<input type="checkbox"/> Lamps Included and Installed
<input type="checkbox"/> Sculptured Endcap See details on reverse	<input type="checkbox"/> Dust Cover 
<input type="checkbox"/> Response Daylight (Integrated Controls) For details visit www.ledalite.com/response	



Centris®

Suspended
Direct/Indirect (High Performance)
4 T8 - Perf Housing



Photometry Optics UD Slot Perf Housing / Solid Baffle w/ Down Kit

Report Summary

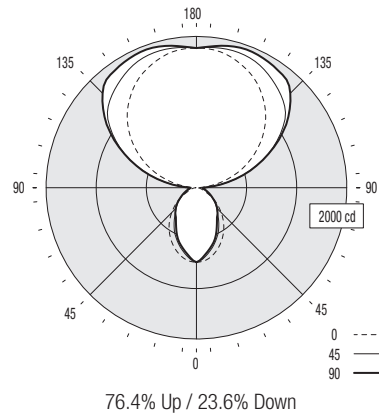
Report # 9900055
Filename 9507T04UD-ZD.ies
Efficiency 74.2%

Peak Candela Value* 1945 @ 160°
Peak to Zenith Ratio* 1.1 : 1

* Between 90-180° vertical angle

Candela Distribution

Vertical Angle	Horizontal Angle					Zonal Lumens
	0	22.5	45	67.5	90	
0	985	985	985	985	985	90
5	977	965	948	930	929	233
15	905	853	819	795	791	313
25	784	707	676	639	631	330
35	635	557	513	477	476	309
45	467	409	378	385	391	250
55	298	268	279	280	285	175
65	139	168	180	187	195	111
75	69	81	109	123	129	74
85	24	43	71	89	93	229
90	6	41	71	96	92	628
95	102	179	222	237	228	974
105	418	572	641	645	642	1184
115	741	935	1057	1055	1056	1222
125	1037	1207	1406	1445	1458	1085
135	1303	1433	1630	1752	1765	843
145	1513	1610	1750	1859	1892	530
155	1677	1740	1844	1914	1937	181
165	1787	1819	1876	1919	1932	1847
175	1843	1849	1862	1871	1872	1847
180	1847	1847	1847	1847	1847	



Coefficients of Utilization (%)

Ceiling: Wall:	80				70				50				0
	70	50	30	10	70	50	30	10	50	30	10	0	
0 RCR	74	74	74	74	66	66	66	66	50	50	50	15	
1	67	64	62	59	60	57	55	43	42	40	13		
2	61	56	52	48	54	50	46	38	36	33	11		
3	56	49	44	40	49	44	40	33	31	28	9		
4	51	44	38	34	45	39	34	30	26	24	8		
5	47	39	33	29	41	35	30	27	23	21	7		
6	43	35	29	25	38	31	26	24	20	18	6		
7	40	31	26	22	35	28	23	21	18	16	5		
8	37	28	23	19	32	25	20	19	16	14	5		
9	34	26	20	17	30	23	18	18	14	12	4		
10	32	23	18	15	28	21	16	16	13	11	4		

Based on a floor reflectance of 0.2

Avg. Luminance (cd/m²)

Vertical Angle	Horizontal Angle		
	0	45	90
55	2118	1450	1333
65	1341	1119	1057
75	1087	876	862
85	1122	843	843

IES files for this and other photometric options can be downloaded online at www.ledalite.com

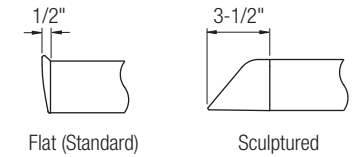
Additional Information

Modules

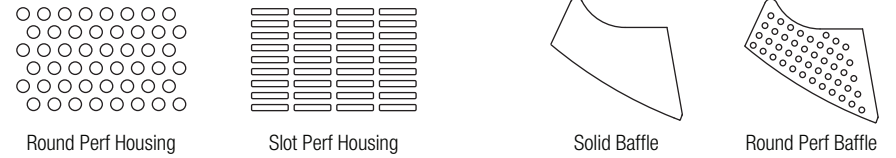
Module length excludes endcaps.
Nominal mount spacing for individually mounted modules.

Module	Mount Spacing
4ft	4' 0"
8ft	8' 0"
12ft	12' 0"

Endcap



Lower Optics



Upper Optics



Specifications

Due to continuing product improvements, Ledalite reserves the right to change specifications without notice.

Housing

Die-formed 20 gauge cold-rolled steel.

Weight

3.0 lb/ft.

Optical System

Direct/Indirect: Constructed of 96% reflective white steel to produce a direct/indirect distribution. Baffles are white blades spaced 2-7/16" apart and are 3/4" deep (18 cells per 4ft section). Perforation of baffles and housing is optional. Perforated housing options include acrylic overlay. Optional field-installable Variable Optics kits provide additional downlight as required.

Semi-Indirect: Constructed of 96% reflective white steel with perforated housing and acrylic overlay to produce a semi-indirect distribution. Perforated housing available in round or slot perforation patterns.

Indirect: Constructed of 96% reflective white steel to produce an indirect distribution.

High performance options use additional highly-specular aluminum reflectors.

Endcaps

Die-cast endcap or optional die-cast sculptured endcap.

Joints

Self-aligning joining system with hands-free pre-joining wire access.

Mounting

Aircraft cable gripper is tamper-resistant and provides infinite vertical adjustment capability. Aircraft cable, crimp and cable gripper independently tested to meet stringent safety requirements.

Electrical

Factory pre-wired to section ends with quick-wire connectors.

Ballast

Electronic.

Approvals

Certified to UL and CSA standards.

Finish

High-quality powder coat. Available in Ledalite Standard White (textured matte finish), and a selection of other factory and customer-specified colors. Consult factory for details.