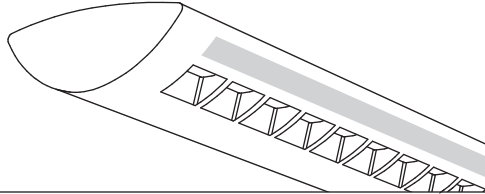


Suspended
 Direct/Indirect (High Performance)
 4 T8 - Perf Housing



Project Name

Spec Type

Notes




Order Guide

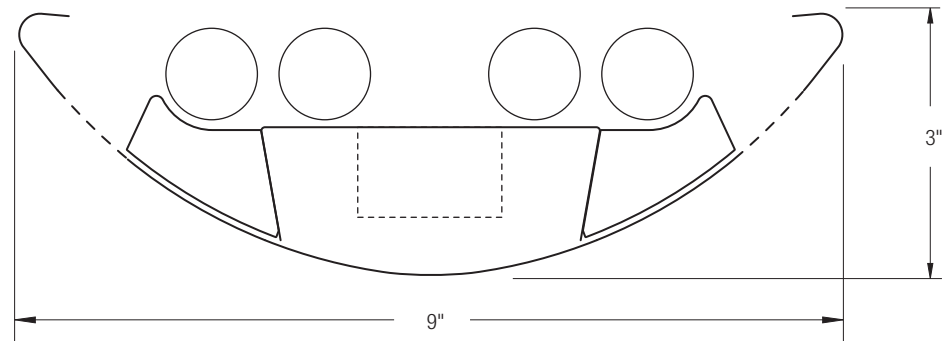
Some combinations of product options may not be available. Consult factory for assistance with your specification.

9507	T04			-		-		-				
Product Series & Type Centris Direct/Indirect (High Performance)	Lamping 4 T8	Lower Optics M Round Perf Housing / Solid Baffle T Round Perf Housing / Round Perf Baffle U Slot Perf Housing / Solid Baffle Z Slot Perf Housing / Round Perf Baffle	Upper Optics N None D Down Kit Y Lamp Separator	Run Length <i>Enter the total run length in feet (4ft increments)</i>	Wiring 1 1 cct 2 2 cct 3 1 cct w/ Emergency cct 4 2 cct w/ Emergency cct 5 1 cct w/ Battery Pack 6 2 cct w/ Battery Pack 7 1 cct Dimming	Voltage 1 120V 2 277V 3 347V	Ballast E Standard Ballast Consult website for ballast manufacturer information	Color & Finish W Standard White C Factory Color X Custom Color Consult website for color and finish options				
		See details on reverse	See details on reverse	See details on reverse	Consult website for complete list of standard wiring options	<h3>Mounting Hardware</h3> <div style="display: flex; justify-content: space-between;"> <input type="text"/> <input type="text"/> </div> <table border="1"> <tr> <td>Mount Type</td> <td>Suspension Length</td> </tr> <tr> <td>Consult separate mounting spec sheet for mount type options</td> <td><i>Enter distance from ceiling to top of fixture in inches</i></td> </tr> </table>			Mount Type	Suspension Length	Consult separate mounting spec sheet for mount type options	<i>Enter distance from ceiling to top of fixture in inches</i>
Mount Type	Suspension Length											
Consult separate mounting spec sheet for mount type options	<i>Enter distance from ceiling to top of fixture in inches</i>											

Upgrades & Accessories

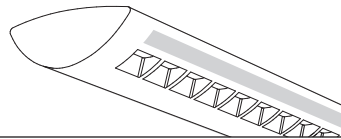
Please indicate with check mark.

<input type="checkbox"/> Lamps Included	<input type="checkbox"/> Lamps Included and Installed
<input type="checkbox"/> Sculptured Endcap See details on reverse	<input type="checkbox"/> Dust Cover 
<input type="checkbox"/> Response Daylight (Integrated Controls) For details visit www.ledalite.com/response	



Centris®

Suspended
Direct/Indirect (High Performance)
4 T8 - Perf Housing



Photometry Optics TY Round Perf Housing / Round Perf Baffle w/ Lamp Separator

Report Summary

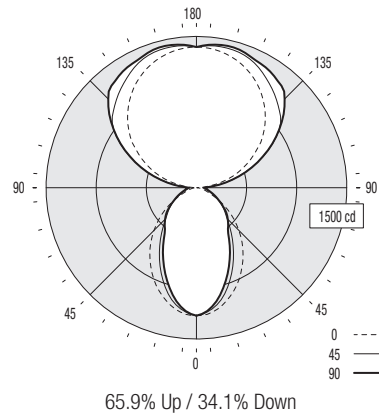
Report # 2101729
Filename 9507T04MY-TY.ies
Efficiency 60.7%

Peak Candela Value* 1441 @ 168°
Peak to Zenith Ratio* 1 : 1

* Between 90-180° vertical angle

Candela Distribution

Vertical Angle	Horizontal Angle					Zonal Lumens
	0	22.5	45	67.5	90	
0	1269	1269	1269	1269	1269	
5	1260	1246	1237	1222	1228	118
15	1161	1129	1089	1034	1031	303
25	1005	943	859	791	784	399
35	810	717	627	558	552	405
45	600	501	431	428	442	363
55	382	313	315	312	324	290
65	177	182	201	207	216	197
75	79	85	122	130	137	120
85	22	44	76	90	97	73
90	3	36	62	79	83	
95	72	103	158	141	165	153
105	319	374	437	409	441	423
115	554	654	737	714	730	677
125	784	851	1008	995	1009	837
135	972	1028	1153	1226	1244	869
145	1132	1193	1265	1324	1352	786
155	1258	1307	1366	1380	1395	621
165	1344	1377	1415	1431	1440	397
175	1389	1399	1414	1419	1423	138
180	1395	1395	1395	1395	1395	



Coefficients of Utilization (%)

Ceiling: Wall:	80				70				50				0
	70	50	30	10	70	50	30	10	50	30	10	0	
0 RCR	62	62	62	62	56	56	56	44	44	44	19		
1	57	54	52	50	51	49	47	39	37	36	16		
2	52	47	44	41	46	43	40	34	32	30	13		
3	47	42	37	34	42	38	34	30	27	25	12		
4	43	37	32	29	39	33	29	27	24	22	10		
5	40	33	28	25	36	30	26	24	21	19	9		
6	36	30	25	21	33	27	23	22	19	16	8		
7	34	27	22	19	30	24	20	20	17	14	7		
8	31	24	20	17	28	22	18	18	15	13	6		
9	29	22	18	15	26	20	16	16	13	11	6		
10	27	20	16	13	24	18	15	15	12	10	5		

Based on a floor reflectance of 0.2

Avg. Luminance (cd/m²)

Vertical Angle	Horizontal Angle		
	0	45	90
55	2714	1637	1515
65	1707	1249	1170
75	1244	980	915
85	1029	902	880

IES files for this and other photometric options can be downloaded online at www.ledalite.com

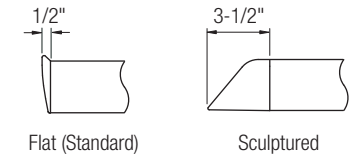
Additional Information

Modules

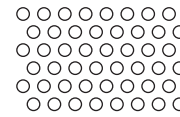
Module length excludes endcaps.
Nominal mount spacing for individually mounted modules.

Module	Mount Spacing
4ft	4' 0"
8ft	8' 0"
12ft	12' 0"

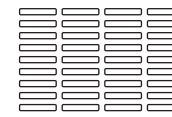
Endcap



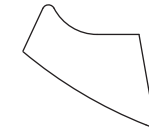
Lower Optics



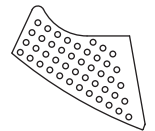
Round Perf Housing



Slot Perf Housing



Solid Baffle

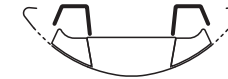


Round Perf Baffle

Upper Optics



D Down Kit



Y Lamp Separator

Specifications

Due to continuing product improvements, Ledalite reserves the right to change specifications without notice.

Housing

Die-formed 20 gauge cold-rolled steel.

Weight

3.0 lb/ft.

Optical System

Direct/Indirect: Constructed of 96% reflective white steel to produce a direct/indirect distribution. Baffles are white blades spaced 2-7/16" apart and are 3/4" deep (18 cells per 4ft section). Perforation of baffles and housing is optional. Perforated housing options include acrylic overlay. Optional field-installable Variable Optics kits provide additional downlight as required.

Semi-Indirect: Constructed of 96% reflective white steel with perforated housing and acrylic overlay to produce a semi-indirect distribution. Perforated housing available in round or slot perforation patterns.

Indirect: Constructed of 96% reflective white steel to produce an indirect distribution.

High performance options use additional highly-specular aluminum reflectors.

Endcaps

Die-cast endcap or optional die-cast sculptured endcap.

Joints

Self-aligning joining system with hands-free pre-joining wire access.

Mounting

Aircraft cable gripper is tamper-resistant and provides infinite vertical adjustment capability. Aircraft cable, crimp and cable gripper independently tested to meet stringent safety requirements.

Electrical

Factory pre-wired to section ends with quick-wire connectors.

Ballast

Electronic.

Approvals

Certified to UL and CSA standards.

Finish

High-quality powder coat. Available in Ledalite Standard White (textured matte finish), and a selection of other factory and customer-specified colors. Consult factory for details.