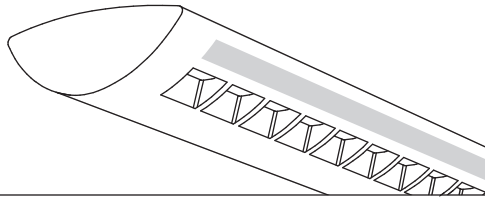


Centris®



Suspended
 Direct/Indirect (High Performance)
 4 T8 - Perf Housing



Project Name

Spec Type

Notes




Order Guide

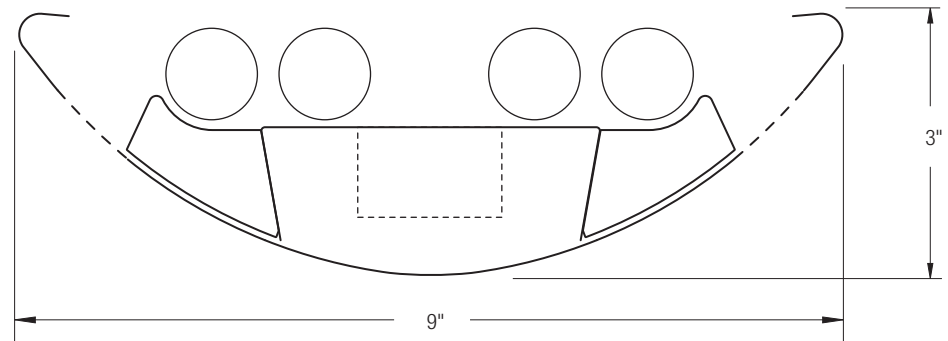
Some combinations of product options may not be available. Consult factory for assistance with your specification.

| 9507 | T04 | | | - | | - | | - | | |
|---|-----------------|--|---|--|--|--|--|--|--|--|
| Product Series & Type Centris Direct/Indirect (High Performance) | Lamping 4 T8 | Lower Optics M Round Perf Housing / Solid Baffle T Round Perf Housing / Round Perf Baffle U Slot Perf Housing / Solid Baffle Z Slot Perf Housing / Round Perf Baffle | Upper Optics N None D Down Kit Y Lamp Separator | Run Length <i>Enter the total run length in feet (4ft increments)</i> | Wiring 1 1 cct 2 2 cct 3 1 cct w/ Emergency cct 4 2 cct w/ Emergency cct 5 1 cct w/ Battery Pack 6 2 cct w/ Battery Pack 7 1 cct Dimming | Voltage 1 120V 2 277V 3 347V | Ballast E Standard Ballast Consult website for ballast manufacturer information | Color & Finish W Standard White C Factory Color X Custom Color Consult website for color and finish options | Mounting Hardware <input type="text"/> <input type="text"/> Mount Type <input type="text"/> Suspension Length <input type="text"/> Consult separate mounting spec sheet for mount type options <i>Enter distance from ceiling to top of fixture in inches</i> | |
| | | See details on reverse | See details on reverse | See details on reverse | Consult website for complete list of standard wiring options | | | | | |

Upgrades & Accessories

Please indicate with check mark.

| | |
|--|--|
| <input type="checkbox"/> Lamps Included | <input type="checkbox"/> Lamps Included and Installed |
| <input type="checkbox"/> Sculptured Endcap See details on reverse | <input type="checkbox"/> Dust Cover  |
| <input type="checkbox"/> Response Daylight (Integrated Controls) For details visit www.ledalite.com/response | |



Centris®

Suspended
Direct/Indirect (High Performance)
4 T8 - Perf Housing



Photometry Optics TN Round Perf Housing / Round Perf Baffle

Report Summary

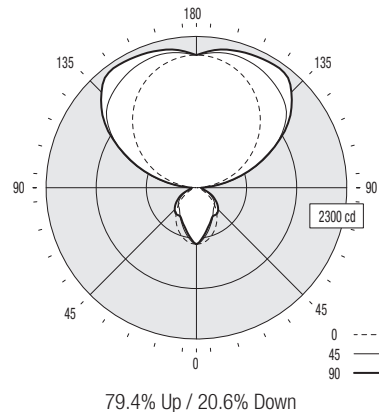
Report # 2101650
Filename 9507T04MN-TN.ies
Efficiency 80.7%

Peak Candela Value* 2217 @ 145°
Peak to Zenith Ratio* 1.1 : 1

* Between 90-180° vertical angle

Candela Distribution

| Vertical Angle | Horizontal Angle | | | | | Zonal Lumens |
|----------------|------------------|------|------|------|------|--------------|
| | 0 | 22.5 | 45 | 67.5 | 90 | |
| 0 | 858 | 858 | 858 | 858 | 858 | |
| 5 | 851 | 836 | 820 | 791 | 797 | 77 |
| 15 | 788 | 725 | 687 | 647 | 644 | 195 |
| 25 | 680 | 591 | 556 | 534 | 536 | 263 |
| 35 | 549 | 460 | 447 | 483 | 505 | 300 |
| 45 | 404 | 342 | 390 | 442 | 470 | 310 |
| 55 | 254 | 244 | 319 | 344 | 372 | 272 |
| 65 | 123 | 162 | 216 | 233 | 253 | 198 |
| 75 | 59 | 77 | 118 | 113 | 120 | 109 |
| 85 | 18 | 37 | 66 | 77 | 82 | 66 |
| 90 | 6 | 37 | 59 | 77 | 73 | |
| 95 | 107 | 166 | 237 | 205 | 230 | 227 |
| 105 | 440 | 626 | 721 | 694 | 707 | 690 |
| 115 | 784 | 1057 | 1237 | 1208 | 1215 | 1110 |
| 125 | 1096 | 1343 | 1648 | 1696 | 1710 | 1358 |
| 135 | 1381 | 1580 | 1887 | 2037 | 2054 | 1390 |
| 145 | 1622 | 1788 | 1998 | 2160 | 2217 | 1231 |
| 155 | 1810 | 1937 | 2073 | 2163 | 2198 | 945 |
| 165 | 1939 | 2014 | 2100 | 2143 | 2162 | 588 |
| 175 | 2008 | 2026 | 2054 | 2074 | 2081 | 200 |
| 180 | 2017 | 2017 | 2017 | 2017 | 2017 | |



Coefficients of Utilization (%)

| Ceiling: | 80 | | | | 70 | | | | 50 | | | | 0 |
|----------|----|----|----|----|----|----|----|----|----|----|----|---|---|
| | 70 | 50 | 30 | 10 | 70 | 50 | 30 | 10 | 50 | 30 | 10 | 0 | |
| 0 RCR | 80 | 80 | 80 | 80 | 71 | 71 | 71 | 53 | 53 | 53 | 15 | | |
| 1 | 73 | 69 | 66 | 64 | 64 | 61 | 59 | 46 | 44 | 43 | 12 | | |
| 2 | 66 | 61 | 56 | 52 | 58 | 54 | 50 | 40 | 38 | 35 | 10 | | |
| 3 | 60 | 53 | 48 | 43 | 53 | 47 | 42 | 35 | 32 | 30 | 9 | | |
| 4 | 55 | 47 | 41 | 36 | 48 | 41 | 36 | 31 | 28 | 25 | 7 | | |
| 5 | 50 | 42 | 35 | 31 | 44 | 37 | 32 | 28 | 24 | 21 | 6 | | |
| 6 | 46 | 37 | 31 | 26 | 41 | 33 | 28 | 25 | 21 | 18 | 5 | | |
| 7 | 43 | 33 | 27 | 23 | 37 | 30 | 24 | 22 | 19 | 16 | 5 | | |
| 8 | 39 | 30 | 24 | 20 | 35 | 27 | 22 | 20 | 17 | 14 | 4 | | |
| 9 | 37 | 27 | 21 | 18 | 32 | 24 | 19 | 18 | 15 | 12 | 4 | | |
| 10 | 34 | 25 | 19 | 16 | 30 | 22 | 17 | 17 | 13 | 11 | 3 | | |

Based on a floor reflectance of 0.2

Avg. Luminance (cd/m²)

| Vertical Angle | Horizontal Angle | | |
|----------------|------------------|------|------|
| | 0 | 45 | 90 |
| 55 | 1805 | 1658 | 1740 |
| 65 | 1186 | 1343 | 1371 |
| 75 | 929 | 948 | 802 |
| 85 | 842 | 784 | 744 |

IES files for this and other photometric options can be downloaded online at www.ledalite.com

Additional Information

Modules

Module length excludes endcaps.
Nominal mount spacing for individually mounted modules.

| Module | Mount Spacing |
|--------|---------------|
| 4ft | 4' 0" |
| 8ft | 8' 0" |
| 12ft | 12' 0" |

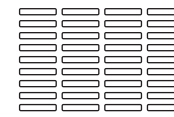
Endcap



Lower Optics



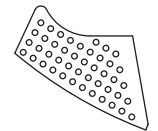
Round Perf Housing



Slot Perf Housing

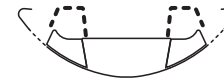


Solid Baffle



Round Perf Baffle

Upper Optics



D Down Kit



Y Lamp Separator

Specifications

Due to continuing product improvements, Ledalite reserves the right to change specifications without notice.

Housing

Die-formed 20 gauge cold-rolled steel.

Weight

3.0 lb/ft.

Optical System

Direct/Indirect: Constructed of 96% reflective white steel to produce a direct/indirect distribution. Baffles are white blades spaced 2-7/16" apart and are 3/4" deep (18 cells per 4ft section). Perforation of baffles and housing is optional. Perforated housing options include acrylic overlay. Optional field-installable Variable Optics kits provide additional downlight as required.

Semi-Indirect: Constructed of 96% reflective white steel with perforated housing and acrylic overlay to produce a semi-indirect distribution. Perforated housing available in round or slot perforation patterns.

Indirect: Constructed of 96% reflective white steel to produce an indirect distribution.

High performance options use additional highly-specular aluminum reflectors.

Endcaps

Die-cast endcap or optional die-cast sculptured endcap.

Joints

Self-aligning joining system with hands-free pre-joining wire access.

Mounting

Aircraft cable gripper is tamper-resistant and provides infinite vertical adjustment capability. Aircraft cable, crimp and cable gripper independently tested to meet stringent safety requirements.

Electrical

Factory pre-wired to section ends with quick-wire connectors.

Ballast

Electronic.

Approvals

Certified to UL and CSA standards.

Finish

High-quality powder coat. Available in Ledalite Standard White (textured matte finish), and a selection of other factory and customer-specified colors. Consult factory for details.